

Internal radio sounder



Fully compatible with Scantronic i-on range, Eaton's SDR-RINT internal sounder enables tidier wire-free domestic installation.

The SDR-RINT internal sounder is ideal for those hard-to-reach areas out of earshot of keypads or panels - but where users need to hear system sounds. Designed with a discreet housing, the unit blends in easily in entrance halls and other aesthetically sensitive areas. What's more, it offers the option of connecting via either a radio expander or control unit with built-in radio capability.

At a glance...

- 2 way radio
- Uses 4 x AA batteries
- 80dB output
- All system sounds including entry/ exit, fault and alarm tones
- Multiple internal radio sounders can be put on the same system
- Compatible with all current i-on control panels

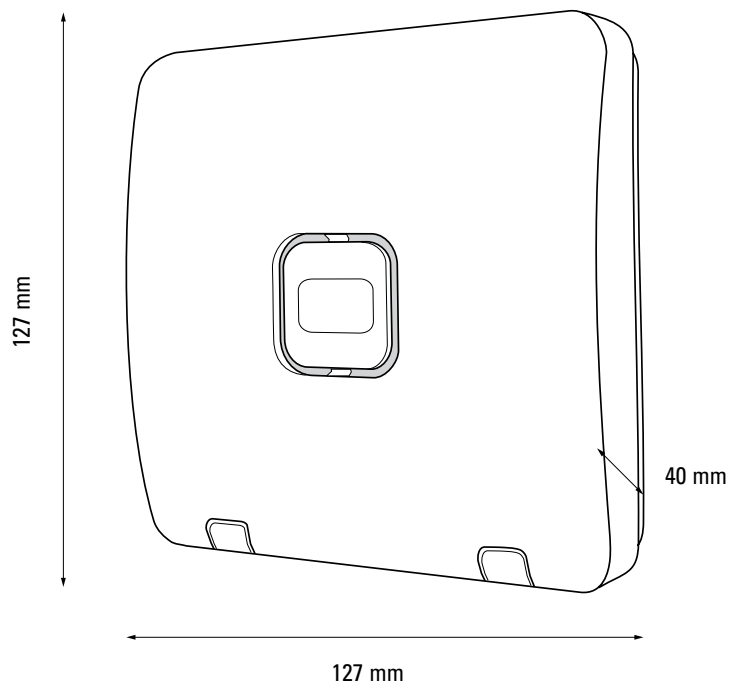


Powering Business Worldwide

Scantronic product data sheet

Product specification

Product Code	SDR-RINT
Current consumption	Active current 100mA. Quiescent current 30 μ A when powered by batteries, or 12 mA when powered externally
Sound Output	80dB at 1 metre
Radio Frequency	868.6625 MHz narrowband
Range	500m in free space
Cut-off period	Auto-silences after 3 minutes if powered only by batteries
Case material	Polycarbonate
Intrusion standards	PD6662:2017, EN50131 Grade 2
Battery type	4 x 1.5Vdc AA alkaline
Battery life	Typically >12 months when powered only by batteries, assuming a total of 80 seconds per day of entry/exit tones
Weight	275g (with batteries)
Operating Temp. Range	-10°C to +55°C
Max Relative Humidity	95%
Dimensions	127mm (h) x 127mm (w) x 40mm (d)



Compare product compatibility with our easy to read chart: www.eaton.com/security-works-with

Eaton
Electrical Sector
EMEA Route de la Longeraie 7
1110 Morges, Switzerland

Eaton Electrical Products Ltd
Security House,
Vantage Point Business Village,
Mitcheldean, Gloucestershire
GL17 0SX

Tel: +44 (0)1594 545 400
Email: securitysales@eaton.com
Web: www.myscantronic.com

Eaton is a registered trademark of Eaton Corporation.

All other trademarks are property of their respective owners.