

Air-Conditioners

SUZ-KA25, KA35, KA50, KA60, KA71VA6

INSTALLATION MANUAL

For safe and correct use, read this manual and the indoor unit installation manual thoroughly before installing the air-conditioner unit.

FOR INSTALLER

INSTALLATIONSHANDBUCH

Aus Sicherheitsgründen und zur richtigen Verwendung vor der Installation die vorliegende Bedienungsanleitung und die Installationsanleitung der Innenanlage gründlich durchlesen die Klimaanlage.

FÜR INSTALLATEURE

MANUEL D'INSTALLATION

Avant d'installer le climatiseur, lire attentivement ce manuel, ainsi que le manuel d'installation de l'appareil intérieur pour une utilisation sûre et correcte.

POUR L'INSTALLATEUR

INSTALLATIEHANDLEIDING

Lees deze handleiding en de installatiehandleiding van het binnenapparaat zorgvuldig door voordat u met het installeren van de airconditioner begint.

VOOR DE INSTALLATEUR

MANUAL DE INSTALACIÓN

Para un uso correcto y seguro, lea detalladamente este manual y el manual de instalación de la unidad interior antes de instalar la unidad de aire acondicionado.

PARA EL INSTALADOR

MANUALE DI INSTALLAZIONE

Per un uso sicuro e corretto, leggere attentamente il presente manuale ed il manuale d'installazione dell'unità interna prima di installare il condizionatore d'aria.

PER L'INSTALLATORE

ΕΓΧΕΙΡΙΔΙΟ ΟΔΗΓΙΩΝ ΕΓΚΑΤΑΣΤΑΣΗΣ

Για σωστή και ασφαλή χρήση, διαβάστε προσεκτικά αυτό το εγχειρίδιο καθώς και το εγχειρίδιο εγκατάστασης της εσωτερικής μονάδας, προτού εγκαταστήσετε τη μονάδα του κλιματιστικού.

ΓΙΑ ΑΥΤΟΝ ΠΟΥ ΚΑΝΕΙ ΤΗΝ ΕΓΚΑΤΑΣΤΑΣΗ

MANUAL DE INSTALAÇÃO

Para uma utilização segura e correcta, leia atentamente este manual e o manual de instalação da unidade interior antes de instalar o aparelho de ar condicionado.

PARA O INSTALADOR

INSTALLATIONSMANUAL

Læs af sikkerhedshensyn denne manual samt manualen til installation af indendørsenheden grundigt, før du installerer klimaanlægget.

TIL INSTALLATØREN

INSTALLATIONSMANUAL

Läs bruksanvisningen och inomhusenhetens installationshandbok noga innan luftkonditioneringen installeras så att den används på ett säkert och korrekt sätt.

FÖR INSTALLATÖREN

MONTAJ ELKİTABI

Emniyetli ve doğru kullanım için, klima cihazını monte etmeden önce bu kılavuzu ve iç ünite montaj kılavuzunu tamamiyla okuyun.

MONTÖR İÇİN

INSTALLASJONSHÅNDBOK

For å sikre trygg og riktig bruk skal denne håndboken samt installasjonshåndboken for innendørsenheten leses grundig gjennom før du installerer klimaanleggenheten.

FOR MONTØR

INSTRUKCJA MONTAŻU

Aby zapewnić bezpieczne i prawidłowe korzystanie z urządzenia, przed montażem klimatyzatora należy dokładnie zapoznać się z treścią niniejszej instrukcji oraz instrukcji montażu jednostki wewnętrznej.

DLA INSTALATORA

English

Deutsch

Français

Nederlands

Español

Italiano

Ελληνικά

Português

Dansk

Svenska

Türkçe

Norsk

Polski

Contents

1. The following should always be observed for safety	2	6. Electrical work	6
2. Selecting the installation location	2	7. Maintenance	7
3. Installation diagram	3	8. Pumping down	8
4. Drain piping for outdoor unit	3	9. Specifications	8
5. Refrigerant piping work	4		

1. The following should always be observed for safety

- Please provide an exclusive circuit for the air conditioner and do not connect other electrical appliances to it.
- Be sure to read “The following should always be observed for safety” before installing the air conditioner.
- Be sure to observe the cautions specified here as they include important items related to safety.
- The indications and meanings are as follows.

⚠ Warning:
Could lead to death, serious injury, etc.

⚠ Caution:
Could lead to serious injury in particular environments when operated incorrectly.

- ⚠ Warning:**
- Do not install it by yourself (customer).
Incomplete installation could cause injury due to fire, electric shock, the unit falling or leakage of water. Consult the dealer from whom you purchased the unit or special installer.
 - This appliance is intended to be used by expert or trained users in shops, in light industry and on farms, or for commercial use by lay persons.
 - Install the unit securely in a place which can bear the weight of the unit. When installed in an insufficient strong place, the unit could fall causing injured.
 - Use the specified wires to connect the indoor and outdoor units securely and attach the wires firmly to the terminal board connecting sections so the stress of the wires is not applied to the sections. Incomplete connecting and fixing could cause fire.
 - Do not use intermediate connection of the power cord or the extension cord and do not connect many devices to one AC outlet. It could cause a fire or an electric shock due to defective contact, defective insulation, exceeding the permissible current, etc.
 - Check that the refrigerant gas does not leak after installation has completed.
 - Perform the installation securely referring to the installation manual. Incomplete installation could cause a personal injury due to fire, electric shock, the unit falling or leakage of water.
 - Use only specified cables for wiring. The wiring connections must be made securely with no tension applied on the terminal connections. Also, never splice the cables for wiring (unless otherwise indicated in this document). Failure to observe these instructions may result in overheating or a fire.
 - Perform electrical work according to the installation manual and be sure to use an exclusive circuit.

- ⚠ Caution:**
- Perform grounding.
Do not connect the ground wire to a gas pipe, water pipe arrester or telephone ground wire. Defective grounding could cause an electric shock.
 - Do not install the unit in a place where an inflammable gas leaks.
If gas leaks and accumulates in the area surrounding the unit, it could cause an explosion.
 - Install a ground leakage breaker depending on the installation place (where it is humid).

- After reading this manual, be sure to keep it together with the instruction manual in a handy place on the customer’s site.

⚡ : Indicates a part which must be grounded.

⚠ Warning:
Carefully read the labels affixed to the main unit.

- If the capacity of the power circuit is insufficient or there is incomplete electrical work, it could result in a fire or an electric shock.
- Attach the electrical part cover to the indoor unit and the service panel to the outdoor unit securely.
If the electrical part cover in the indoor unit and/or the service panel in the outdoor unit are not attached securely, it could result in a fire or an electric shock due to dust, water, etc.
 - Be sure to use the part provided or specified parts for the installation work. The use of defective parts could cause an injury or leakage of water due to a fire, an electric shock, the unit falling, etc.
 - Ventilate the room if refrigerant leaks during operation.
If the refrigerant comes in contact with a flame, poisonous gases will be released.
 - When pumping down the refrigerant, stop the compressor before disconnecting the refrigerant pipes. The compressor may burst if air etc. get into it.
 - When installing or relocating, or servicing the air conditioner, use only the specified refrigerant (R410A) to charge the refrigerant lines. Do not mix it with any other refrigerant and do not allow air to remain in the lines.
If air is mixed with the refrigerant, then it can be the cause of abnormal high pressure in the refrigerant line, and may result in an explosion and other hazards.
The use of any refrigerant other than that specified for the system will cause mechanical failure or system malfunction or unit breakdown. In the worst case, this could lead to a serious impediment to securing product safety.

- If a ground leakage breaker is not installed, it could cause an electric shock.
- Perform the drainage/piping work securely according to the installation manual.
If there is a defect in the drainage/piping work, water could drop from the unit and household goods could be wet and damaged.
 - Fasten a flare nut with a torque wrench as specified in this manual.
When fastened too tight, a flare nut may be broken after a long period and cause a leakage of refrigerant.

2. Selecting the installation location

2.1. Outdoor unit

- Where it is not exposed to strong wind.
- Where airflow is good and dustless.
- Where it is not exposed to rain and direct sunshine.
- Where neighbours are not annoyed by operation sound or hot air.
- Where rigid wall or support is available to prevent the increase of operation sound or vibration.
- Where there is no risk of combustible gas leakage.
- When installing the unit at a high level, be sure to fix the unit legs.
- Where it is at least 3 m away from the antenna of TV set or radio. (Otherwise, images would be disturbed or noise would be generated.)
- Please install it in an area not affected by snowfall or blowing snow. In areas with heavy snow, please install a canopy, a pedestal and/or some baffle boards.
- Install the unit horizontally.

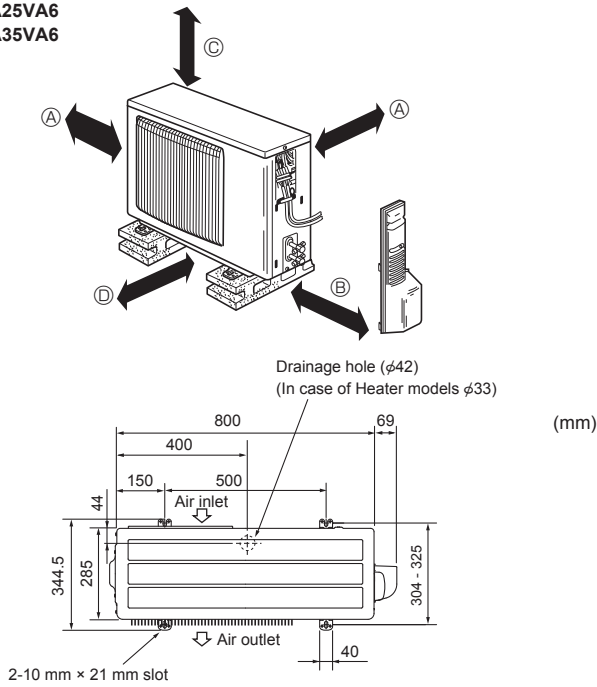
⚠ Caution:
Avoid the following places for installation where air conditioner trouble is liable to occur.

- Where there is too much machine oil.
- Salty environment as seaside areas.
- Hot-spring areas.
- Where sulfide gas exists.
- Other special atmospheric areas.

The outdoor unit produces condensate during the heating operation. Select the installation place to ensure to prevent the outdoor unit and/or the grounds from being wet by drain water or damaged by frozen drain water.

3. Installation diagram

■ SUZ-KA25VA6
SUZ-KA35VA6



■ SUZ-KA50VA6
SUZ-KA60VA6
SUZ-KA71VA6

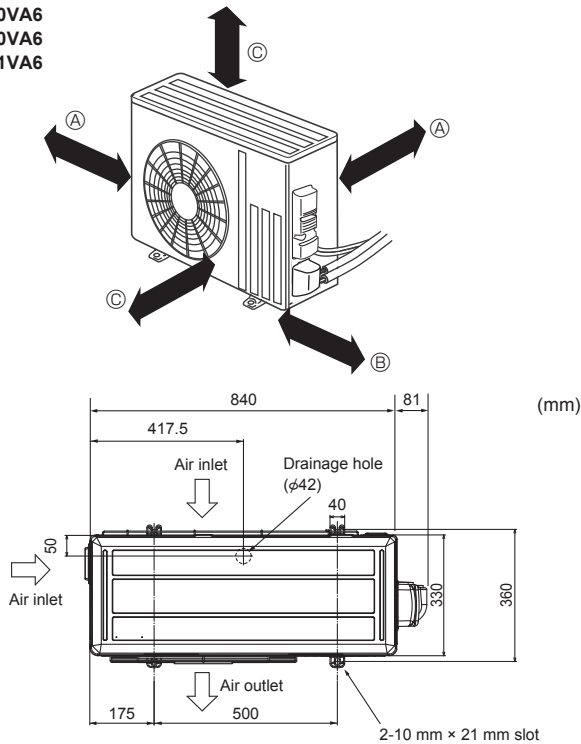


Fig. 3-1

3.1. Outdoor unit (Fig. 3-1)

Ventilation and service space

■ SUZ-KA25VA6

SUZ-KA35VA6

Ⓐ 100 mm or more

Ⓑ 350 mm or more

Ⓒ Basically open 100 mm or more without any obstruction in front and on both sides of the unit.

Ⓓ 200 mm or more (Open two sides of left, right, or rear side.)

■ SUZ-KA50VA6

SUZ-KA60VA6

SUZ-KA71VA6

Ⓐ 100 mm or more

Ⓑ 350 mm or more

Ⓒ 500 mm or more

When the piping is to be attached to a wall containing metals (tin plated) or metal netting, use a chemically treated wooden piece 20 mm or thicker between the wall and the piping or wrap 7 to 8 turns of insulation vinyl tape around the piping.

Units should be installed by licensed contractor accordingly to local code requirement.

Note:

When operating the air conditioner in low outside temperature, be sure to follow the instructions described below.

- Never install the outdoor unit in a place where its air inlet/outlet side may be exposed directly to wind.
- To prevent exposure to wind, install the outdoor unit with its air inlet side facing the wall.
- To prevent exposure to wind, it is recommended to install a baffle board on the air outlet side of the outdoor unit.

4. Drain piping for outdoor unit (Fig. 4-1)

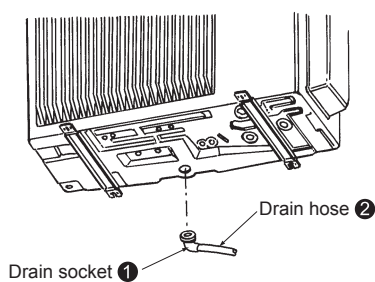


Fig. 4-1

4.1. Accessories

Check the following parts before installation.

<Outdoor unit>

❶	Drain socket	1
---	--------------	---

- Provide drain piping before indoor and outdoor piping connection. (It will be hard to install drain socket ❶ if indoor and outdoor piping connection is conducted prior to drain piping as outdoor unit becomes immovable.)
- Connect the drain hose ❷ (obtainable at a store, inside diameter: 15 mm) as shown in the figure for drainage.
- Make sure to provide drain piping with a downhill grade for easy drain flow.

Note:

Do not use the drain socket ❶ in the cold region. Drain may freeze and it makes the fan stop.

5. Refrigerant piping work

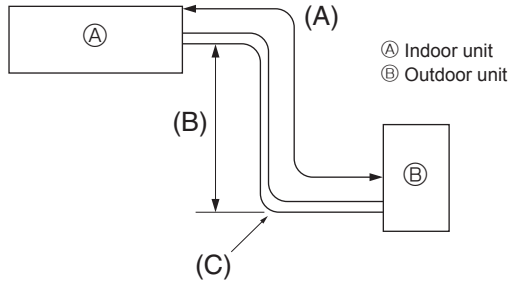


Fig. 5-1

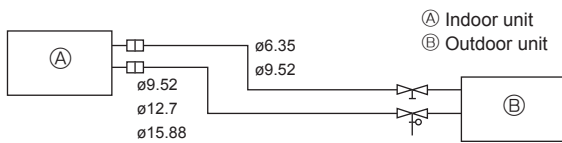


Fig. 5-2

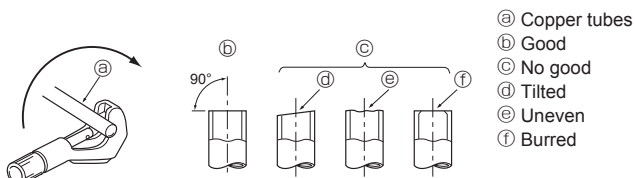


Fig. 5-3

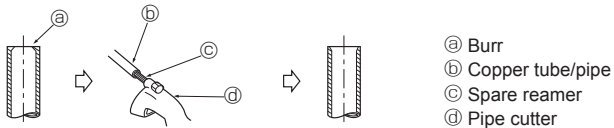


Fig. 5-4



Fig. 5-5

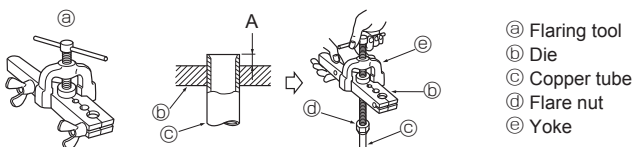


Fig. 5-6

5.1. Refrigerant pipe (Fig. 5-1)

► Check that the difference between the heights of the indoor and outdoor units, the length of refrigerant pipe, and the number of bends in the pipe are within the limits shown below.

Models	(A) Pipe length (one way)	(B) Height difference	(C) Number of bends (one way)
SUZ-KA25/KA35	Max. 20 m	Max. 12 m	Max. of 10
SUZ-KA50/KA60/KA71	Max. 30 m	Max. 30 m	Max. of 10

- Height difference limitations are binding regardless of which unit, indoor or outdoor, is positioned higher.
- Refrigerant adjustment ... If pipe length exceeds 7 m, additional refrigerant (R410A) charge is required.
(The outdoor unit is charged with refrigerant for pipe length up to 7 m.)

Pipe length	Up to 7 m	No additional charge is required.
	Exceeding 7 m	Additional charge is required. (Refer to the table below.)
Refrigerant to be added	SUZ-KA25/KA35 type	30 g × (refrigerant piping length (m) - 7)
	SUZ-KA50/KA60 type	20 g × (refrigerant piping length (m) - 7)
	SUZ-KA71 type	55 g × (refrigerant piping length (m) - 7)

(1) Table below shows the specifications of pipes commercially available.

Model	Pipe	Outside diameter		Min. wall thickness	Insulation thickness	Insulation material
		mm	inch			
SUZ-KA25	For liquid	6.35	1/4	0.8 mm	8 mm	Heat resisting foam plastic 0.045 specific gravity
	For gas	9.52	3/8	0.8 mm	8 mm	
SUZ-KA35	For liquid	6.35	1/4	0.8 mm	8 mm	
	For gas	9.52	3/8	0.8 mm	8 mm	
SUZ-KA50	For liquid	6.35	1/4	0.8 mm	8 mm	
	For gas	12.7	1/2	0.8 mm	8 mm	
SUZ-KA60	For liquid	6.35	1/4	0.8 mm	8 mm	
	For gas	15.88	5/8	0.8 mm	8 mm	
SUZ-KA71	For liquid	9.52	3/8	0.8 mm	8 mm	
	For gas	15.88	5/8	1.0 mm	8 mm	

- (2) Ensure that the 2 refrigerant pipes are well insulated to prevent condensation.
(3) Refrigerant pipe bending radius must be 100 mm or more.

⚠ Caution:

Using careful insulation of specified thickness. Excessive thickness prevents storage behind the indoor unit and smaller thickness causes dew dripping.

5.2. Flaring work

- Main cause of gas leakage is defect in flaring work.
Carry out correct flaring work in the following procedure.

5.2.1. Pipe cutting (Fig. 5-3)

- Using a pipe cutter cut the copper tube correctly.

5.2.2. Burrs removal (Fig. 5-4)

- Completely remove all burrs from the cut cross section of pipe/tube.
Put the end of the copper tube/pipe to downward direction as you remove burrs in order to avoid burrs drop in the tubing.

5.2.3. Putting nut on (Fig. 5-5)

- Remove flare nuts attached to indoor and outdoor unit, then put them on pipe/tube having completed burr removal.
(not possible to put them on after flaring work)

5.2.4. Flaring work (Fig. 5-6)

- Carry out flaring work using flaring tool as shown at the right.

Pipe diameter (mm)	Dimension	
	A (mm)	B ⁺⁰ _{-0.4} (mm)
	When the tool for R410A is used Clutch type	
6.35	0 - 0.5	9.1
9.52	0 - 0.5	13.2
12.7	0 - 0.5	16.6
15.88	0 - 0.5	19.7

Firmly hold copper tube in a die in the dimension shown in the table at above.

5. Refrigerant piping work

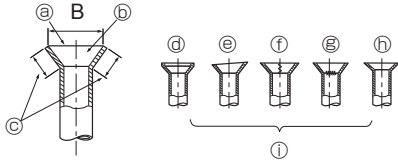


Fig. 5-7

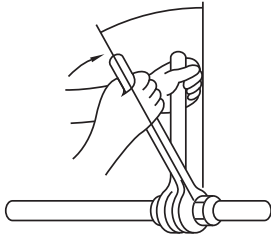


Fig. 5-8

5.2.5. Check (Fig. 5-7)

- Compare the flared work with a figure in right side hand.
- If flare is noted to be defective, cut off the flared section and do flaring work again.

- | | |
|---|---------------------------|
| Ⓐ Smooth all around | Ⓣ Scratch on flared plane |
| Ⓑ Inside is shining without any scratches | Ⓤ Cracked |
| Ⓒ Even length all around | Ⓡ Uneven |
| Ⓓ Too much | Ⓢ Bad examples |
| Ⓔ Tilted | |

- Apply a thin coat of refrigeration oil on the seat surface of pipe. (Fig. 5-8)
- For connection first align the center, then tighten the first 3 to 4 turns of flare nut.
- Use tightening torque table below as a guideline for indoor unit side union joint section, and tighten using two wrenches. Excessive tightening damages the flare section.

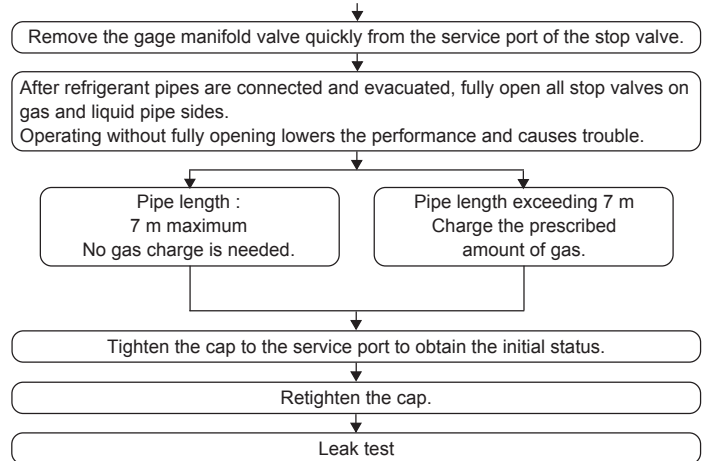
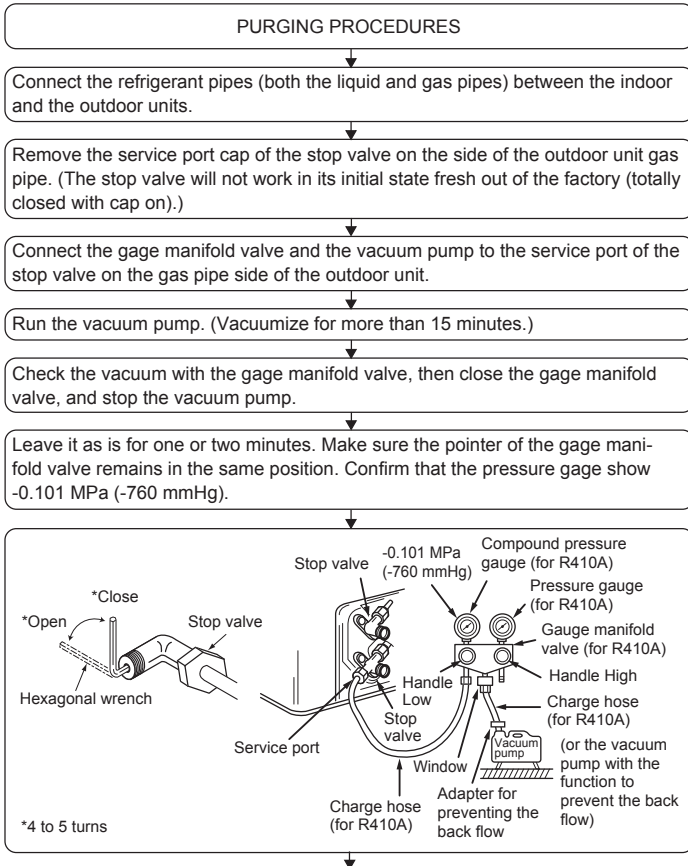
Copper pipe O.D. (mm)	Flare nut O.D. (mm)	Tightening torque (N·m)
ø6.35	17	14 - 18
ø9.52	22	34 - 42
ø12.7	26	49 - 61
ø15.88	29	68 - 82

Warning:
When installing the unit, securely connect the refrigerant pipes before starting the compressor.

Warning:
Be careful of flying flare nut! (Internally pressurized)
Remove the flare nut as follows:

1. Loosen the nut until you hear a hissing noise.
2. Do not remove the nut until the gas has been completely released (i.e., hissing noise stops).
3. Check that the gas has been completely released, and then remove the nut.

5.5. Purging procedures leak test



6. Electrical work

6.1. Outdoor unit (Fig. 6-1, Fig. 6-2, Fig. 6-3, Fig. 6-4)

- ① Remove the service panel.
- ② Wire the cables referring to the Fig. 6-1, Fig. 6-2, Fig. 6-3 and the Fig. 6-4.

■ SUZ-KA25/35/50VA6

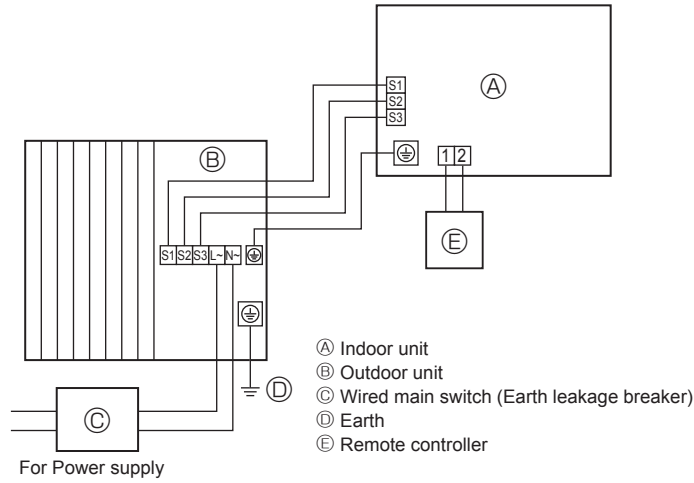


Fig. 6-1

■ SUZ-KA60/71VA6

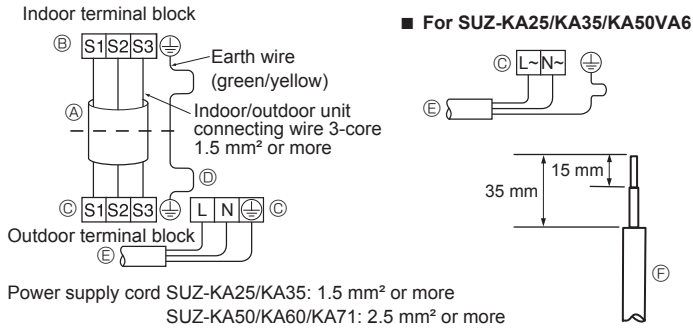
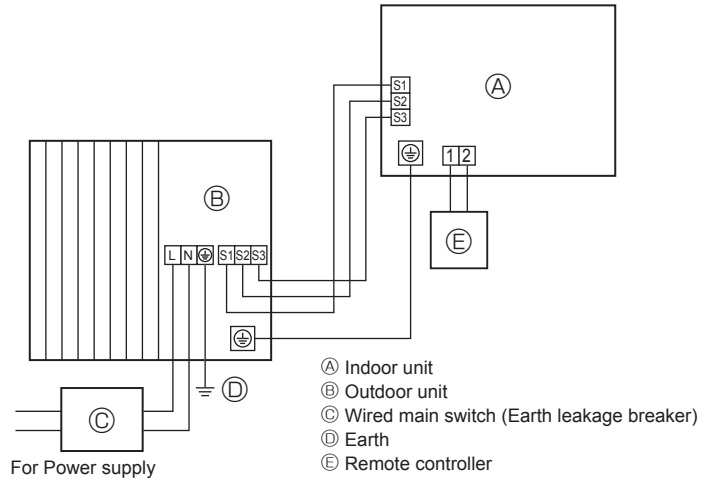


Fig. 6-2

■ SUZ-KA25/35VA6

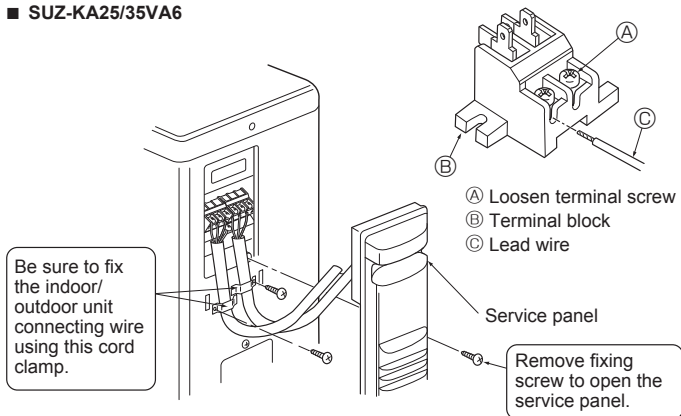


Fig. 6-3

■ SUZ-KA50/60/71VA6

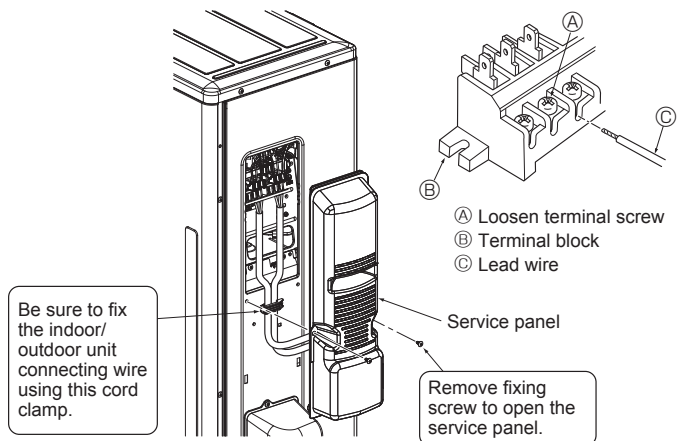


Fig. 6-4

- Perform wiring as shown in the diagram to the lower left. (Procure the cable locally) (Fig. 6-2)

Make sure to use cables of the correct polarity only.

- (A) Connecting cable
- (B) Indoor terminal block
- (C) Outdoor terminal block
- (D) Always install an earth wire longer than other cables.
- (E) Power supply cord
- (F) Lead wire

- Make earth wire a little longer than others. (More than 100 mm)
- For future servicing, give extra length to the connecting wires.
- Be sure to attach each screw to its correspondent terminal when securing the cord and/or the wire to the terminal block.

- Connect cable from the indoor unit correctly on the terminal-block.
- Use the same terminal block and polarity as is used with the indoor unit.
- For aftercare maintenance, give extra length to connecting cable.

- Both end of connecting cable (extension wire) are peeled off. When too long, or connected by cutting off the middle, peel off power supply cable to the size given in the figure.
- Be careful not to contact connecting cable with piping.

⚠ Caution:

- Use care not to make miswiring.
- Firmly tighten the terminal screws to prevent them from loosening.
- After tightening, pull the wires lightly to confirm that they do not move.

⚠ Warning:

- Be sure to attach the service panel of the outdoor unit securely. If it is not attached correctly, it could result in a fire or an electric shock due to dust, water, etc.
- Tighten terminal screws securely.
- Wiring should be done so that the power lines are not subject to tension. Otherwise, heat may be generated or fire may occur.

6. Electrical work

6.2. Field electrical wiring

Outdoor unit model		SUZ-KA25/KA35	SUZ-KA35 *3	SUZ-KA50/KA60/KA71
Outdoor unit power supply		~N (single), 50 Hz, 230 V	~N (single), 50 Hz, 230 V	~N (single), 50 Hz, 230 V
Outdoor unit input capacity Main switch (Breaker)		*1	10 A	20 A
Wiring Wire No. x size (mm ²)	Outdoor unit power supply	2 x Min. 1.5	2 x Min. 2.0	2 x Min. 2.5
	Outdoor unit power supply earth	1 x Min. 1.5	1 x Min. 2.0	1 x Min. 2.5
	Indoor unit-Outdoor unit	3 x 1.5 (Polar)	3 x 1.5 (Polar)	3 x 1.5 (Polar)
	Indoor unit-Outdoor unit earth	1 x Min. 1.5	1 x Min. 1.5	1 x Min. 1.5
Circuit rating	Outdoor unit L-N	*2	230 VAC	230 VAC
	Indoor unit-Outdoor unit S1-S2	*2	230 VAC	230 VAC
	Indoor unit-Outdoor unit S2-S3	*2	12 VDC – 24 VDC	12 VDC – 24 VDC

*1. A breaker with at least 3 mm contact separation in each poles shall be provided. Use earth leakage breaker (NV).

Make sure that the current leakage breaker is one compatible with higher harmonics.

Always use a current leakage breaker that is compatible with higher harmonics as this unit is equipped with an inverter.

The use of an inadequate breaker can cause the incorrect operation of inverter.

*2. The figures are NOT always against the ground.

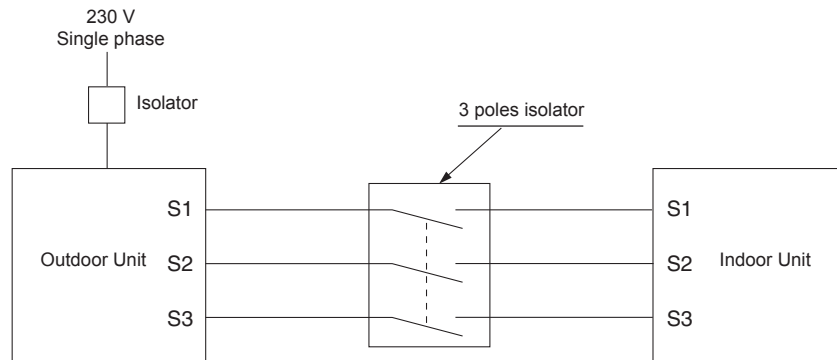
S3 terminal has 24 VDC against S2 terminal. However between S3 and S1, these terminals are NOT electrically insulated by the transformer or other device.

*3. In case of PEAD-RP35JA series combination.

Notes: 1. Wiring size must comply with the applicable local and national code.

2. Power supply cords and Indoor/Outdoor unit connecting cords shall not be lighter than polychloroprene sheathed flexible cord. (Design 60245 IEC 57)

3. Install an earth longer than other cables.



⚠ Warning:

There is high voltage potential on the S3 terminal caused by electrical circuit design that has no electrical insulation between power line and communication signal line. Therefore, please turn off the main power supply when servicing. And do not touch the S1, S2, S3 terminals when the power is energized. If isolator should be used between indoor unit and outdoor unit, please use 3-poles type.

Never splice the power cable or the indoor-outdoor connection cable, otherwise it may result in a smoke, a fire or communication failure.

7. Maintenance

7.1. Gas charge (Fig. 7-1)

1. Connect gas cylinder to the service port of stop valve (3-way).
2. Execute air purge of the pipe (or hose) coming from refrigerant gas cylinder.
3. Replenish specified amount of refrigerant, while running the air conditioner for cooling.

Note:

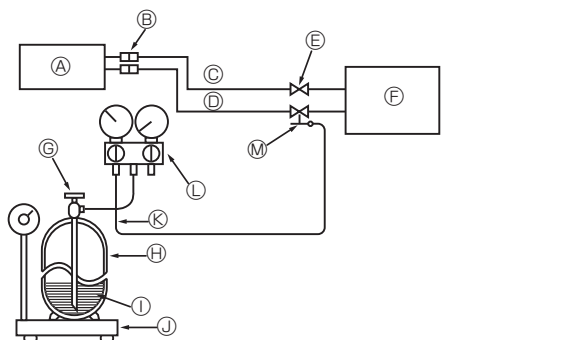
In case of adding refrigerant, comply with the quantity specified for the refrigerating cycle.

⚠ Caution:

- Do not discharge the refrigerant into the atmosphere. Take care not to discharge refrigerant into the atmosphere during installation, reinstallation, or repairs to the refrigerant circuit.
- For additional charging, charge the refrigerant from liquid phase of the gas cylinder.

If the refrigerant is charged from the gas phase, composition change may occur in the refrigerant inside the cylinder and the outdoor unit. In this case, ability of the refrigerating cycle decreases or normal operation can be impossible. However, charging the liquid refrigerant all at once may cause the compressor to be locked. Thus, charge the refrigerant slowly.

To maintain the high pressure of the gas cylinder, warm the gas cylinder with warm water (under 40°C) during cold season. But never use naked fire or steam.



- (A) Indoor unit
- (B) Union
- (C) Liquid pipe
- (D) Gas pipe
- (E) Stop valve
- (F) Outdoor unit
- (G) Refrigerant gas cylinder operating valve
- (H) Refrigerant gas cylinder for R410A with siphon
- (I) Refrigerant (liquid)
- (J) Electronic scale for refrigerant charging
- (K) Charge hose (for R410A)
- (L) Gauge manifold valve (for R410A)
- (M) Service port

Fig. 7-1

8. Pumping down

When relocating or disposing of the air conditioner, pump down the system following the procedure below so that no refrigerant is released into the atmosphere.

- ① Turn off the power supply (circuit breaker).
- ② Connect the gauge manifold valve to the service port of the stop valve on the gas pipe side of the outdoor unit.
- ③ Fully close the stop valve on the liquid pipe side of the outdoor unit.
- ④ Supply power (circuit breaker).
- ⑤ Perform the refrigerant collecting operation (cooling test run).
 - For the PAR-31MAA, select "Service" → "TestRun" from the main menu to start the test run, and then select the cooling mode.
 - For details or for other information about starting the test run when using remote controllers, refer to the installation manual for the indoor unit or the remote controller.
- ⑥ Fully close the stop valve on the gas pipe side of the outdoor unit when the pressure gauge shows 0.05 to 0 MPa [Gauge] (approx. 0.5 to 0 kgf/cm²) and quickly stop the air conditioner.
 - Push the "ON/OFF" button on the remote controller to stop the air conditioner.
 - * Note that when the extension piping is very long with a large refrigerant amount, it may not be possible to perform a pump-down operation. In this case, use refrigerant recovery equipment to collect all of the refrigerant in the system.

- ⑦ Turn off the power supply (circuit breaker), remove the gauge manifold valve, and then disconnect the refrigerant pipes.

⚠ Warning:

When pumping down the refrigerant, stop the compressor before disconnecting the refrigerant pipes.

- **If the refrigerant pipes are disconnected while the compressor is operating and the stop valve (ball valve) is open, the pressure in the refrigeration cycle could become extremely high if air is drawn in, causing the pipes to burst, personal injury, etc.**

9. Specifications

Outdoor model		SUZ-KA25VA6.TH	SUZ-KA35VA6.TH	SUZ-KA50VA6.TH	SUZ-KA60VA6.TH	SUZ-KA71VA6.TH
Power supply		Single phase 230 V, 50 Hz				
Dimensions W × H × D		800 × 550 × 285			840 × 880 × 330	
Weight		30	35	54	50	53
Sound level *1	Cooling	47	49	52	55	
	Heating	48	50	52	55	

*1 Measured under rated operating frequency.

Inhaltsverzeichnis

1. Aus Sicherheitsgründen muß stets folgendes beachtet werden.	9	6. Elektroarbeiten	13
2. Wahl des aufstellortes.	9	7. Wartung	14
3. Installationszeichnung.	10	8. Leerpumpen	15
4. Abflußrohr für Außeneinheit	10	9. Technische Daten.	15
5. Arbeiten an den Kältemittelrohrleitungen	11		

1. Aus Sicherheitsgründen muß stets folgendes beachtet werden

- Für die Klimaanlage bitte einen gesonderten Stromkreis vorsehen und daran keine anderen Elektrogeräte anschließen.
- Sicherstellen, daß vor Aufstellung dieser Klimaanlage das Kapitel "Aus Sicherheitsgründen muss stets folgendes beachtet werden". gelesen wurde.
- Darauf achten, daß die hier angegebenen Vorsichtsmaßregeln beachtet werden, da sie wichtige Sicherheitsgesichtspunkte enthalten.
- Nachstehend die Zeichen und ihre Bedeutung:

⚠ Warnung:
Kann zum Tode, zu schwerwiegenden Verletzungen etc. führen.

- ⚠ Warnung:**
- Anlage nicht selbst aufstellen (Kunde). Unsachgemäße und unvollständige Aufstellung kann Verletzungen durch Brand, Stromschläge, Herunterfallen der Anlage oder austretendes Wasser verursachen. Den Händler, bei dem Sie die Anlage gekauft haben oder einen Fachinstallateur zur Beratung heranziehen.
 - Dieses Gerät ist für die Verwendung durch Fachleute oder geschultes Personal in Geschäften, in der Leichtindustrie und auf Bauernhöfen oder für die kommerzielle Verwendung durch Laien geeignet.
 - Die Anlage sicher an einem Ort aufstellen, der das Gewicht der Anlage aushalten kann. Bei Aufstellung an einem Ort mit ungenügender Tragkraft kann die Anlage fallen und Verletzungen hervorrufen.
 - Zum sicheren Anschluß der Innen- und Außenanlage die angegebenen Elektroleitungen verwenden und diese fest im Anschlußbereich der Anschlußtafel anbringen, damit die Belastung der Elektroleitungen nicht auf die Anschlußbereiche übertragen wird. Unsachgemäßer Anschluß und ungenügende Befestigung können Brand verursachen.
 - Keine Zwischenverbindung des Netzkabels oder der Kabelverlängerung verwenden und nicht mehrere Geräte an einen Wandstecker anschließen. Durch defekte Kontakte, defekte Isolierungen, Überschreiten der zulässigen Stromstärke etc. können Brände oder Stromschläge verursacht werden.
 - Vergewissern, daß nach Abschluß der Aufstellung kein Kältemittelgas austritt.
 - Aufstell- und Installationsarbeiten vorschriftsmäßig und sicher gemäß Aufstellungshandbuch ausführen. Durch unsachgemäße Aufstellung können Verletzungen durch Brand, Stromschläge, Umfallen der Anlage oder austretendes Wasser verursacht werden.
 - Verwenden Sie zur Verdrahtung nur die angegebenen Kabel. Die Anschlüsse müssen fest und sicher ohne Zugbelastung auf den Klemmen vorgenommen werden. Spleißen Sie außerdem niemals die Kabel für die Verdrahtung (außer es wird in diesem Dokument entsprechend angegeben). Wenn die Kabel falsch angeschlossen oder installiert sind, kann dies Überhitzung oder einen Brand zur Folge haben.

- ⚠ Vorsicht:**
- Erdung vornehmen. Die Erdleitung nicht an eine Gasrohrleitung, den Blitzableiter, eine Wasserrohrleitung oder an eine Telefonerdungsleitung anschließen. Fehlerhafte Erdung kann einen Stromschlag verursachen.
 - Die Anlage nicht an einem Ort aufstellen, an dem brennbare Gase austreten. Wenn Gas austritt und sich um die Anlage herum ansammelt, kann dies zu einer Explosion führen.
 - Je nach Umfeld des Aufstellortes (wo es feucht ist) einen Erdschlußunterbrecher installieren. Wenn kein Erdschlußunterbrecher installiert wurde, könnte ein Stromschlag verursacht werden.

2. Wahl des aufstellortes

2.1. Aussenanlage

- Einen Ort wählen, der keinem starken Wind ausgesetzt ist.
- Einen Ort wählen, an dem ein guter Luftstrom sichergestellt und der frei von Staub ist.
- Einen Ort wählen, der weder Regen noch direkter Sonnenstrahlung ausgesetzt ist.
- Einen Ort wählen, an dem die Nachbarn nicht durch Betriebsgeräusche oder heiße Luft gestört werden.
- Einen Ort wählen, an dem eine feste Wand oder eine feste Abstützung vorhanden ist, um eine Zunahme der Betriebsgeräusche und Vibrationen zu vermeiden.
- Einen Ort wählen, an dem keine brennbaren Gase austreten.
- Wenn die Einheit an einem hohen Ort installiert wird, unbedingt Stützbeine an der Einheit anbringen.
- Wo wenigstens 3 m Abstand zu einer Fernseh- oder Radioantenne vorhanden ist. (da sonst Bildstörungen oder Geräusche auftreten.)
- Installieren Sie die Anlage an keinem Ort, der Schneefall oder Schneetreiben

⚠ Vorsicht:
Kann bei unsachgemäßem Betrieb unter besonderen Umfeldbedingungen zu schwerwiegenden Verletzungen führen.

- Dafür sorgen, daß nach dem Lesen dieses Handbuch zusammen mit den Anweisungsunterlagen in den Innenräumen des Kunden griffbereit aufbewahrt wird.

⌄ : Verweist auf einen Teil der Anlage, der geerdet werden muß.

⚠ Warnung:
Sorgfältig die auf der Hauptanlage aufgebrachten Aufschriften lesen.

- Elektroarbeiten gemäß Aufstellungshandbuch ausführen und darauf achten, daß ein gesonderter Stromkreis verwendet wird. Bei ungenügender Leistung des Netzstromkreises oder bei nichtsachgemäß durchgeführten Elektroarbeiten können Brände oder Stromschläge verursacht werden.
- Die Abdeckung des Elektroteils der Innenanlage anbringen und die Bedienungsplatte der Außenanlage sicher befestigen. Wenn die Abdeckung des Elektrobereichs der Innenanlage und/oder die Bedienungsplatte der Außenanlage nicht sicher angebracht wurden, können durch Staub, Wasser etc. Brände oder Stromschläge auftreten.
- Dafür sorgen, daß bei den Aufstellungsarbeiten die mitgelieferten oder angegebenen Teile verwendet werden. Durch Einsatz defekter Teile können durch Brände, Stromschläge, fallende Anlagen etc. Verletzungen hervorgerufen werden, oder es kann Wasser austreten.
- Lüften Sie den Raum gut durch, wenn Kühlflüssigkeit bei Benutzung ausläuft. Es entstehen giftige Gase, wenn die Kühlflüssigkeit mit Feuer in Berührung kommt.
- Beim Auspumpen des Kältemittels, schalten Sie den Kompressor ab, bevor die Kältemittelleitungen getrennt werden. Der Kompressor kann zerplatzen, wenn Luft etc. eindringt.
- Beim Installieren oder Umsetzen oder Warten der Klimaanlage darf nur das angegebene Kältemittel (R410A) zur Befüllung der Kältemittelleitungen verwendet werden. Vermischen Sie es nicht mit anderem Kältemittel und lassen Sie nicht zu, dass Luft in den Leitungen zurückbleibt. Wenn sich Luft mit dem Kältemittel vermischt, kann dies zu einem ungewöhnlich hohen Druck in der Kältemittelleitung führen und eine Explosion oder andere Gefahren verursachen. Die Verwendung eines anderen als des für das System angegebenen Kältemittels führt zu mechanischem Versagen, einer Fehlfunktion des Systems oder einer Beschädigung des Geräts. Im schlimmsten Fall kann sie ein schwerwiegendes Hindernis für die Aufrechterhaltung der Produktsicherheit darstellen.

- Drainage-/Verrohrungsarbeiten sachgemäß, wie im Aufstellungshandbuch festgelegt, ausführen. Bei unsachgemäßer Ausführung der Drainage-/Verrohrungsarbeiten kann Wasser aus der Anlage tropfen und Einrichtungsgegenstände durch Nässe beschädigen.
- Mit einem Drehmomentschlüssel eine Konusmutter gemäß den Angaben in dieser Anleitung befestigen. Wenn die Konusmutter zu fest angezogen wird, kann sie nach längerer Zeit bersten und das Austreten von Kältemittel verursachen.

- ausgesetzt sein könnte. In Gegenden mit starkem Schneefall bitte ein Vordach, einen Sockel und/oder einige Prallwände anbringen.
- Die Anlage waagrecht installieren.

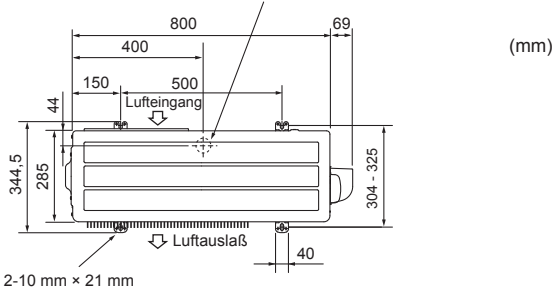
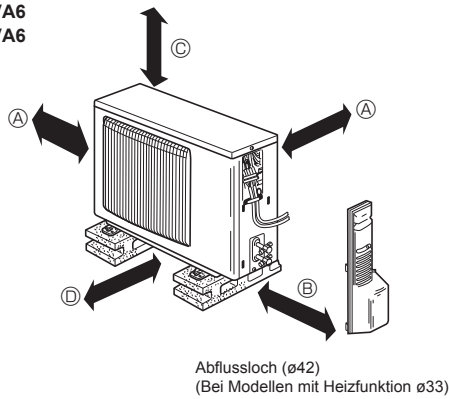
⚠ Vorsicht:
Die folgenden Orte bei der Installation vermeiden, da es sonst zu Störungen der Klimaanlage kommen kann.

- Orte mit zu viel Maschinenöl.
- Orte mit salzhaltiger Luft in Meeresnähe.
- Orte mit Thermalbädern.
- Orte, an welchen schwefelige Gase auftreten.
- Orte mit andere speziellen Luftbedingungen.

Das Außengerät produziert Kondenswasser beim Heizvorgang. Wählen Sie einen Installationsort aus, an dem (gefrorenes) Abwasser das Außengerät und/oder den Boden nicht beschädigen kann.

3. Installationszeichnung

- SUZ-KA25VA6
SUZ-KA35VA6



- SUZ-KA50VA6
SUZ-KA60VA6
SUZ-KA71VA6

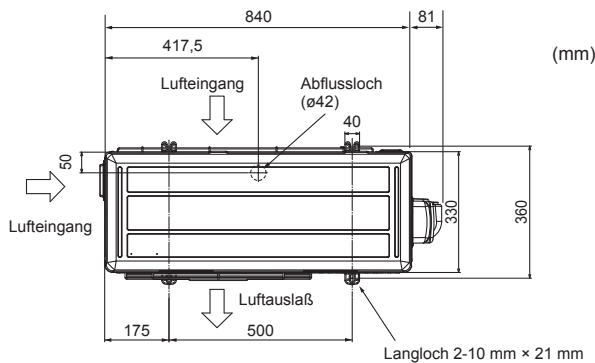
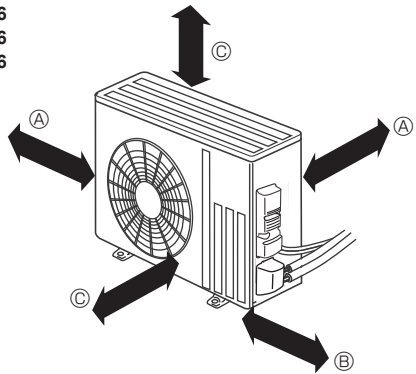


Fig. 3-1

3.1. Aussenanlage (Fig. 3-1)

Freiraum für Belüftung und Bedienung

- SUZ-KA25VA6
SUZ-KA35VA6

- Ⓐ 100 mm oder mehr
- Ⓑ 350 mm oder mehr
- Ⓒ Grundsätzlich an der Vorderseite und an beiden Seiten der Anlage 100 mm oder mehr hindernisfrei halten.
- Ⓓ 200 mm oder mehr (Zwei Seiten, links, rechts oder hinten, öffnen.)

- SUZ-KA50VA6
SUZ-KA60VA6
SUZ-KA71VA6

- Ⓐ 100 mm oder mehr
- Ⓑ 350 mm oder mehr
- Ⓒ 500 mm oder mehr

Wenn die Rohrleitung an einer Mauer, in der sich Metalle (Zinkbleche) oder Metallmatten befinden, angebracht werden muß, ein chemisch behandeltes Holzstück von 20 mm oder stärker zwischen Mauer und Rohrleitung einfügen oder Rohrleitung mit 7 bis 8 Lagen Vinylisolerband umwickeln.

Anlagen sind von einem staatlich geprüften Fachtechniker gemäß den vor Ort geltenden gesetzlichen Bestimmungen aufzustellen und zu installieren.

Hinweis:

Beim Betrieb der Klimaanlage bei niedriger Außentemperatur darauf achten, die nachstehend beschriebenen Anweisungen zu befolgen.

- Die Außeneinheit niemals an einem Ort installieren, an dem die Lufteingangs-/ausgangsseite unmittelbar Luftzug ausgesetzt ist.
- Die Außeneinheit so installieren, daß die Lufteingangsseite zur Wand hin zeigt, um sie vor Zugluft zu schützen.
- Um die Luftausgangsseite der Außeneinheit vor Zugluft zu schützen, wird empfohlen, eine Abschirmung zu installieren.

4. Abflußrohr für Außeneinheit (Fig. 4-1)

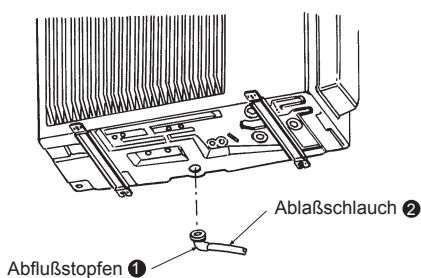


Fig. 4-1

4.1. Zubehör

Vor der Installation sicherstellen, daß die folgenden Teile vorhanden sind.

<Außeneinheit>

①	Abflußstopfen	1
---	---------------	---

- Das Abflußrohr vor Anschluß der Rohrleitung für die Innen- und Außeneinheit anbringen. (Wenn der Rohrleitungsanschluß für die Innen- und Außeneinheit vor Anbringen der Abflußrohrleitung ausgeführt wurde, ist es schwierig, den Abflußstopfen ① zu installieren, da sich die Außeneinheit nicht mehr bewegen läßt).
- Zur Dränung den Ablaßschlauch ② anschließen (im Handel erhältlich, Innendurchmesser: 15 mm), wie in der Abbildung dargestellt.
- Für einen einwandfreien Abfluß sicherstellen, daß die Abflußrohrleitung mit der richtigen Neigung nach unten versehen wird.

Hinweis:

Den Abflußstopfen ① nicht in einer kalten Region einsetzen. Der Abfluß kann einfrieren und das Gebläse zum Abschalten bringen.

5. Arbeiten an den Kältemittelrohrleitungen

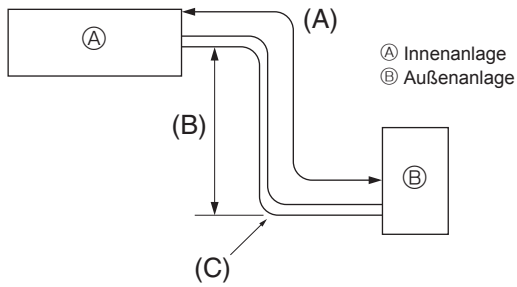


Fig. 5-1

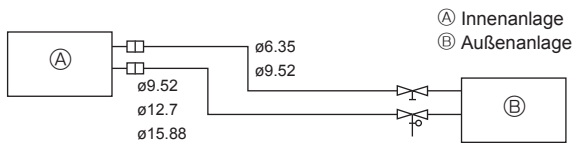


Fig. 5-2

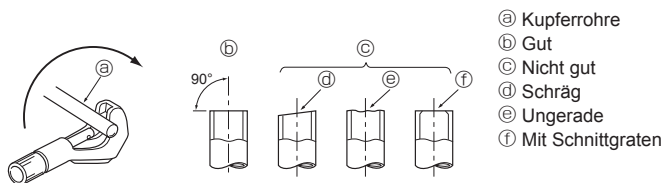


Fig. 5-3

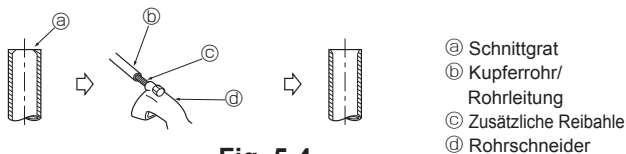


Fig. 5-4



Fig. 5-5

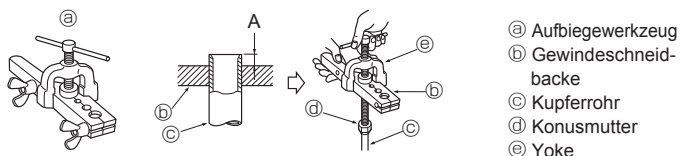


Fig. 5-6

5.1. Rohrleitung für Kältemittel (Fig. 5-1)

► Vergewissern, daß der Höhenunterschied zwischen Innen- und Außenanlage, die Länge der Kältemittelrohrleitung und die Anzahl der Krümmen in der Rohrleitung innerhalb der Grenzwerte der nachstehenden Tabelle liegen.

Modelle	(A) Länge Rohrleitung (eine Richtung)	(B) Höhenunterschied	(C) Zahl der Krümmen (eine Richtung)
SUZ-KA25/KA35	Max. 20 m	Max. 12 m	Max. 10
SUZ-KA50/KA60/KA71	Max. 30 m	Max. 30 m	Max. 10

- Die Begrenzung der Höhenunterschiede ist verbindlich, gleichgültig welche Anlage, Innen- oder Außenanlage, sich in der höheren Position befindet.
- Kältemittel-Einstellung: Falls die Rohrlänge 7 m übersteigt, muß zusätzliches Kältemittel (R410A) nachgefüllt werden. (Die Außenanlage ist mit Kältemittel für eine Rohrlänge bis zu 7 m gefüllt.)

Rohrlänge	Bis zu 7 m	Kein zusätzliches Nachfüllen erforderlich.
	Mehr als 7 m	Zusätzliches Nachfüllen erforderlich. (Siehe Tabelle unten.)
Nachzufüllendes Kältemittel	SUZ-KA25/KA35 typ	30 g × (Länge der Kältemittelleitung (m) - 7)
	SUZ-KA50/KA60 typ	20 g × (Länge der Kältemittelleitung (m) - 7)
	SUZ-KA71 typ	55 g × (Länge der Kältemittelleitung (m) - 7)

(1) Nachstehende Tabelle zeigt die technischen Daten für im Handel erhältliche Rohrleitungen.

Modell	Rohrleitung	Außendurchmesser		Mindestwandstärke	Stärke der Isolation	Isoliermaterial
		mm	Zoll			
SUZ-KA25	Für Flüssigkeit	6,35	1/4	0,8 mm	8 mm	Hitzebeständiger Kunststoffschaum spezifisches Gewicht 0,045
	Für Gas	9,52	3/8	0,8 mm	8 mm	
SUZ-KA35	Für Flüssigkeit	6,35	1/4	0,8 mm	8 mm	
	Für Gas	9,52	3/8	0,8 mm	8 mm	
SUZ-KA50	Für Flüssigkeit	6,35	1/4	0,8 mm	8 mm	
	Für Gas	12,7	1/2	0,8 mm	8 mm	
SUZ-KA60	Für Flüssigkeit	6,35	1/4	0,8 mm	8 mm	
	Für Gas	15,88	5/8	0,8 mm	8 mm	
SUZ-KA71	Für Flüssigkeit	9,52	3/8	0,8 mm	8 mm	
	Für Gas	15,88	5/8	1,0 mm	8 mm	

(2) Dafür sorgen, daß die beiden Kältemittelrohrleitungen zur Verhinderung der Kondenswasserbildung gut isoliert sind.

(3) Biegeradius der Kältemittelrohrleitung muß 100 mm oder mehr betragen.

⚠ **Vorsicht:**

Sorgfältig darauf achten, daß die Isolierung die angegebene Stärke hat. Übermäßige Stärke verhindert Lagerung hinter der Innenanlage und geringere Stärke verursacht Heruntertropfen von Kondenswasser.

5.2. Ausführung der konischen aufbiegung

- Hauptursache für Gasaustritt ist unsachgemäße konische Aufbiegung der Rohrleitungen. Zur sachgemäßen Ausführung der konischen Aufbiegung der Rohrleitung folgende Verfahren anwenden.

5.2.1. Abschneiden des Rohres (Fig. 5-3)

- Mit einem Rohrschneider das Kupferrohr sachgerecht abtrennen.

5.2.2. Schnittgrate entfernen (Fig. 5-4)

- Alle Schnittgrate vollständig vom Querschnitt der Rohrleitung/des Rohres entfernen.
- Ende des Kupferrohres/der Rohrleitung beim Entfernen der Schnittgrate nach unten neigen, um zu vermeiden, daß Metallteilchen in das Rohr fallen.

5.2.3. Mutter aufsetzen (Fig. 5-5)

- An der Innen- und der Außenanlage angebrachte Konusmutter abnehmen und sie dann nach der Schnittgratbeseitigung auf das Rohr aufsetzen. (Nach Abschluß der Aufbiegung können sie nicht mehr aufgesetzt werden)

5.2.4. Aufbiegearbeiten (Fig. 5-6)

- Aufbiegearbeiten mit einem Aufbiegewerkzeug, wie rechts gezeigt, ausführen.

Rohrdurchmesser (mm)	Abmessungen	
	A (mm)	
	Wenn das Werkzeug für R410A verwendet wird	B ⁺⁰ _{-0,4} (mm)
	Kupplungstyp	
6,35	0 - 0,5	9,1
9,52	0 - 0,5	13,2
12,7	0 - 0,5	16,6
15,88	0 - 0,5	19,7

Kupferrohr fest in eine Gewindeschneidbacke, die in der obigen Tabelle angegebenen Abmessungen aufweist, einklemmen.

5. Arbeiten an den Kältemittelrohrleitungen

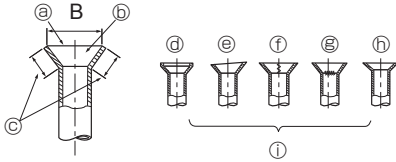


Fig. 5-7

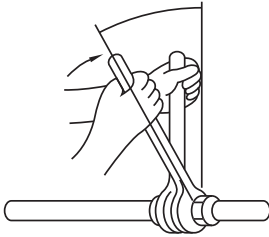


Fig. 5-8

5.2.5. Prüfung (Fig. 5-7)

- Aufbiegung mit der Abbildung rechts vergleichen.
- Wenn festgestellt wird, daß die Aufbiegung/der konisch aufgebogene Bereich nicht einwandfrei ist, aufgebogenen Teil abschneiden und Aufbiegung erneut vornehmen.

- Ⓐ Rundherum glatt
- Ⓑ Innenseite ist blank ohne Kratzer
- Ⓒ Ringsherum gleiche Länge
- Ⓓ Zu stark
- Ⓔ Schräg
- Ⓕ Kratzer auf Aufbiegungsfläche
- Ⓖ Gerissen
- Ⓗ Uneben
- Ⓘ Beispiele für schlechte Ausführung

- Kältemittelöl dünn auf der Sitzfläche des Rohrs auftragen. (Fig. 5-8)
- Zum Anschließen zunächst die Mitte ausrichten, dann die Konusmutter mit den ersten 3 bis 4 Umdrehungen anziehen.
- Die in der nachfolgenden Tabelle ausgeführten Anzugsmomente an der Rohrverbindungen an der Inneneinheit einhalten und für das Festziehen zwei Schlüssel verwenden. Nicht zu fest anziehen, da sonst der Kelchabschnitt beschädigt werden kann.

Kupferrohr O.D. (mm)	Konusmutter O.D. (mm)	Anzugsdrehmoment (N·m)
ø6,35	17	14 - 18
ø9,52	22	34 - 42
ø12,7	26	49 - 61
ø15,88	29	68 - 82

⚠ Warnung:

Schließen Sie die Kältemittelleitungen beim Installieren des Geräts fest an, bevor Sie den Kompressor einschalten.

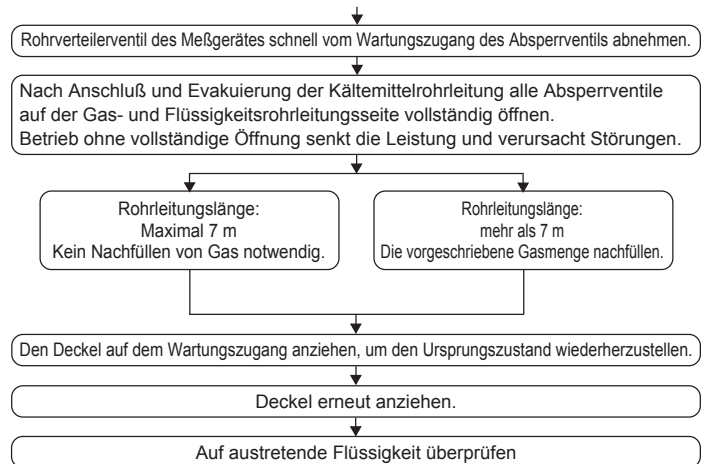
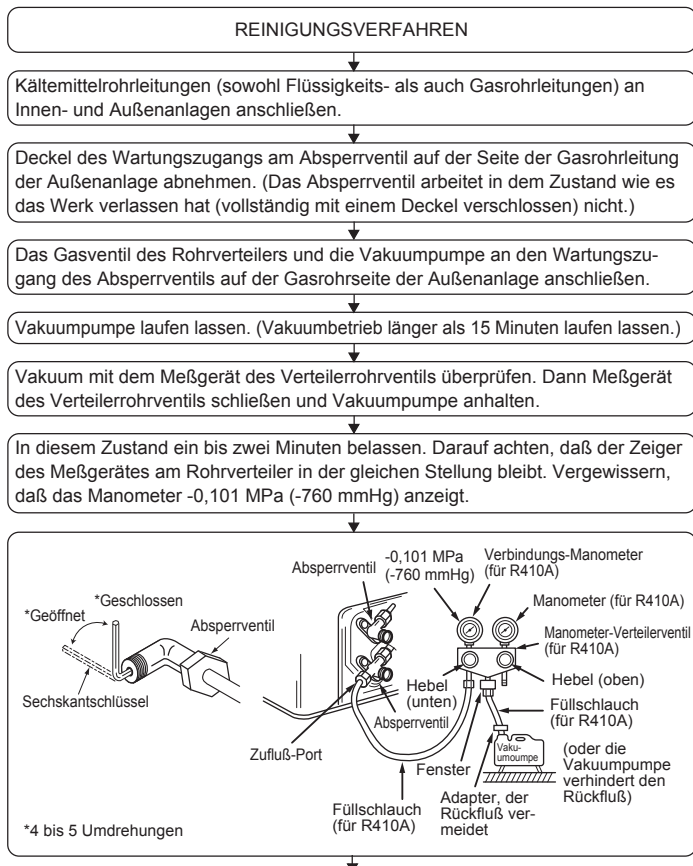
⚠ Warnung:

Sorgfältig darauf achten, die Konusmutter nicht gewaltsam zu öffnen! (Steht unter Innendruck)

Die Konusmutter wie folgt abnehmen:

1. Die Mutter lockern bis ein zischendes Geräusch zu hören ist.
2. Die Mutter nicht abnehmen bis das Gas vollständig ausgetreten ist (z.B. zischendes Geräusch hört auf).
3. Vergewissern, daß das Gas vollständig ausgetreten ist und dann die Mutter abnehmen.

5.5. Reinigungsverfahren/prüfung auf austretende flüssigkeit



6. Elektroarbeiten

6.1. Außeneinheit (Fig. 6-1, Fig. 6-2, Fig. 6-3, Fig. 6-4)

- ① Die Wartungstafel entfernen.
- ② Die Kabel wie in den Abbildungen 6-1, 6-2, 6-3 und 6-4 gezeigt verlegen.

■ SUZ-KA25/35/50VA6

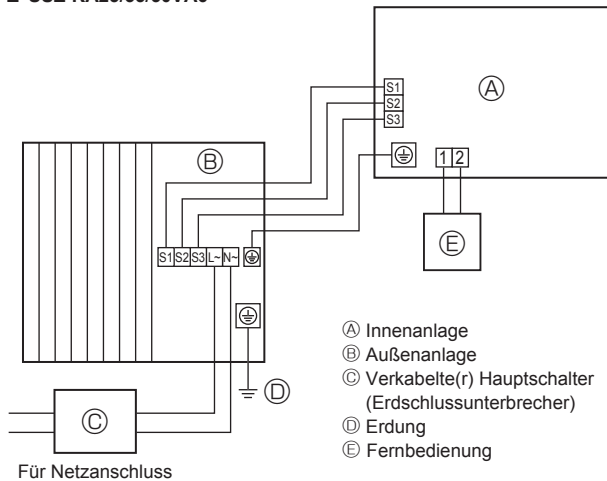
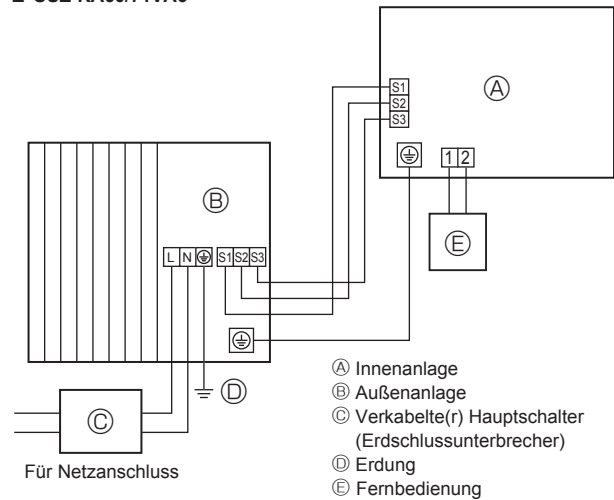


Fig. 6-1

■ SUZ-KA60/71VA6



Inneneinheit-Klemmenleiste ■ Für SUZ-KA25/KA35/KA50VA6

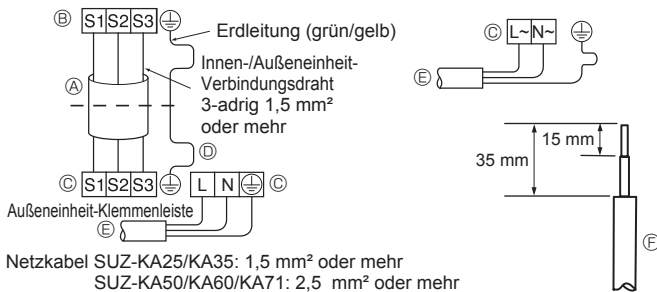


Fig. 6-2

■ SUZ-KA25/35VA6

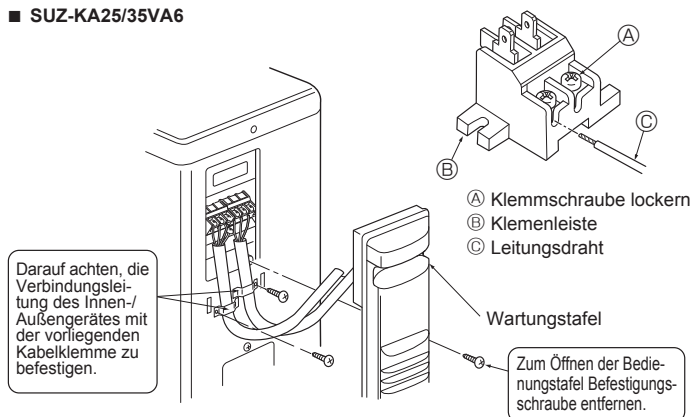


Fig. 6-3

■ SUZ-KA50/60/71VA6

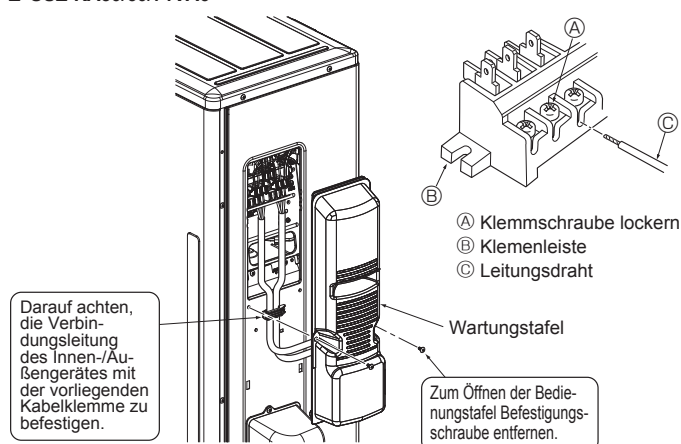


Fig. 6-4

- Verdrahtung wie in der Abbildung links unten dargestellt vornehmen. (Kabel ist vor Ort zu beschaffen) (Fig. 6-2)
- Darauf achten, daß nur Kabel mit der richtigen Polarität verwendet werden.
- (A) Anschlusskabel
- (B) Inneneinheit-Klemmenleiste
- (C) Außeneinheit-Klemmenleiste
- (D) Achten Sie darauf, daß das Erdungskabel länger ist als die anderen, spannungsführenden Kabel.
- (E) Netzkabel für die Stromversorgung
- (F) Leitungsdraht

- Führen Sie die Erdungsleitung etwas länger aus als die übrigen. (Mehr als 100 mm)
- Lassen Sie die Anschlusskabel für zukünftige Wartungszwecke etwas länger als erforderlich.
- Beim Befestigen der Kabel und/oder Drähte am Anschlussblock darauf achten, dass jede Schraube in ihre entsprechende Klemme eingeschraubt ist.

- Kabel von der Innenanlage einwandfrei an den Klemmenblock anschließen.
- Den gleichen Klemmenblock und die gleiche Polarität wie bei der Innenanlage verwenden.
- Zur späteren Wartung Anschlusskabel etwas länger lassen.

- Beide Enden des Anschlusskabels (Verlängerungskabel) sind abisoliert. Wenn das Stück zu lang ist oder wenn beim Anschluß Kabel in der Mitte abgeschnitten werden muß, Netzkabel auf die in der Abbildung rechts angegebenen Maße abisolieren.
- Darauf achten, daß das Anschlusskabel nicht mit der Rohrleitung in Kontakt kommt.

⚠ Vorsicht:

- Sorgfältig darauf achten, Fehlverdrahtung zu verhindern.
- Klemmschrauben fest anziehen, damit sie sich nicht lockern können.
- Nach dem Anziehen leicht an den Leitungsdrähten ziehen, um sicherzustellen, daß sie nicht locker sind.

⚠ Warnung:

- Darauf achten, daß die Bedienungsplatte der Außenanlage sicher angebracht wird. Bei nicht einwandfreier Anbringung könnte durch Staub, Wasser etc. ein Brand oder ein Stromschlag ausgelöst werden.
- Klemmschrauben fest anziehen.
- Bei der Verdrahtung darauf achten, daß die Netzstromleitungen keiner Zugspannung ausgesetzt sind. Anderenfalls kann sich Hitze entwickeln und Feuer ausbrechen.

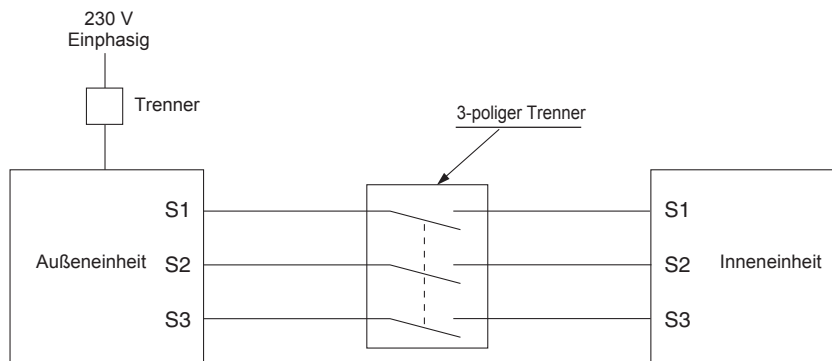
6. Elektroarbeiten

6.2. Elektrische Anschlußwerte

Außeneinheit Modell		SUZ-KA25/KA35	SUZ-KA35 *3	SUZ-KA50/KA60/KA71
Stromversorgung Außeneinheit		~N (einzeln), 50 Hz, 230 V	~N (einzeln), 50 Hz, 230 V	~N (einzeln), 50 Hz, 230 V
Eingangskapazität Außeneinheit Hauptschalter (Unterbrecher) *1		10 A	16 A	20 A
Drähte Anzahl x Durchmesser (mm ²)	Stromversorgung Außeneinheit	2 x Min. 1,5	2 x Min. 2,0	2 x Min. 2,5
	Außeneinheit Erdung	1 x Min. 1,5	1 x Min. 2,0	1 x Min. 2,5
	Innen-/Außeneinheit	3 x 1,5 (Polar)	3 x 1,5 (Polar)	3 x 1,5 (Polar)
	Innen-/Außeneinheit Erdung	1 x Min. 1,5	1 x Min. 1,5	1 x Min. 1,5
Spannungs- werte	Außeneinheit L-N *2	230 V AC	230 V AC	230 V AC
	Innen-/Außeneinheit S1-S2 *2	230 V AC	230 V AC	230 V AC
	Innen-/Außeneinheit S2-S3 *2	12 V DC – 24 V DC	12 V DC – 24 V DC	12 V DC – 24 V DC

- *1. Es sollte ein Unterbrecher mit mindestens 3 mm Kontakttrennung in jedem Pol vorhanden sein. Einen Fehlerstromschutzschalter (NV) verwenden. Darauf achten, dass der Stromunterbrecher mit harmonischen Oberschwingungen kompatibel ist. Stets einen Stromunterbrecher verwenden, der mit harmonischen Oberschwingungen kompatibel ist, da dieses Gerät einen Umwandler besitzt. Wird ein ungeeigneter Unterbrecher verwendet, kann dies zu einem mangelhaften Betrieb des Umwandlers führen.
- *2. Die Werte sind NICHT immer auf Erdung anwendbar. An der Anschlußklemme S3 liegen 24 V DC gegen S2 an. Zwischen S3 und S1 sind diese Anschlußklemmen NICHT durch einen Transformator oder ein anderes Gerät isoliert.
- *3. Bei PEAD-RP35JA-Serienkombination.

- Hinweise:**
- Der Durchmesser der Drähte muß den örtlichen und nationalen Vorschriften entsprechen.
 - Netzanschlußkabel und Verbindungskabel von Innen-/Außeneinheit sollten nicht leichter als Polychloropren-ummantelte flexible Kabel sein. (Konstruktionsrichtlinie 60245 IEC 57)
 - Bei der Installation beachten, daß das Erdkabel länger ist als die anderen Kabel.

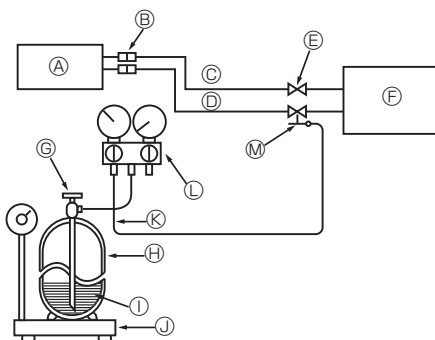


⚠ Warnung:

An der Anschlußklemme S3 liegt Hochspannung aufgrund der Schaltkreisstruktur an, die keine Isolierung zwischen Netz- und Signalkabel vorsieht. Daher ist vor der Wartung unbedingt die Hauptstromversorgung abzuschalten. Beim Einschalten des Geräts auf keinen Fall die Anschlußklemmen S1, S2, S3 berühren. Wenn ein Trenner zwischen Innen- und Außeneinheit verwendet wird, sollte dieser 3-polig sein.

Spleißen Sie niemals das Netzkabel oder das Verbindungskabel zwischen Innenaggregat und Außengerät, da es andernfalls zu Rauchentwicklung, einem Brand oder einem Kommunikationsfehler kommen kann.

7. Wartung



- | | |
|-------------------------------|---|
| (A) Inneneinheit | (H) Kältemittelgasflasche für R410A mit Siphon |
| (B) Rohrverbindung | (I) Kältemittel (flüssig) |
| (C) Flüssigkeitsrohr | (J) Elektronische Waage für Kältemittelfüllung |
| (D) Gasrohr | (K) Nachfüllschlauch (für R410A) |
| (E) Absperrventil | (L) Unterdruckmesser-Rohrverzweigungsventil (für R410A) |
| (F) Außeneinheit | (M) Wartungsöffnung |
| (G) Kältemittelflaschenventil | |

Fig. 7-1

7.1. Gasfüllung (Fig. 7-1)

- Den Gaszylinder an die Wartungseinheit der Absperrarmatur (3-Wege) anschließen.
- Luftreinigung der von der Kältemittelgasflasche kommenden Rohrleitung (oder des Schlauchs).
- Angegebene Menge Kältemittel nachfüllen, während die Klimaanlage im Kühlbetrieb läuft.

Hinweis:

Beim Nachfüllen von Kältemittel die für den Kältemittelkreislauf angegebene Menge einhalten.

⚠ Vorsicht:

- Das Kältemittel nicht in die Atmosphäre freilassen. Während der Installation, der Neuinstallation oder bei Reparaturen am Kältemittelkreislauf dafür sorgen, daß kein Kältemittel in die Atmosphäre gelangt.
- Das Kältemittel aus einer mit Kältemittel gefüllten Gasflasche im flüssigen Zustand nachfüllen. Falls sich das Kältemittel während des Nachfüllens im gasförmigen Zustand befindet, kann sich die Zusammensetzung des Kältemittels in der Flasche oder in der Außenanlage ändern. In diesem Fall ist die Leistungsfähigkeit des Kältemittelkreislaufs beeinträchtigt oder der Normalbetrieb wird gegebenenfalls unmöglich. Um ein Blockieren des Kompressors zu verhindern, muß das flüssige Kältemittel langsam nachgefüllt werden.

Bei kaltem Wetter den Gaszylinder mit warmem Wasser (unter 40°C) anwärmen, um den hohen Druck des Gaszylinders beizubehalten. Auf keinen Fall jedoch eine offene Flamme oder Dampf verwenden.

8. Leerpumpen

Wenn Sie das Klimagerät für eine Neuaufstellung oder Entsorgung abmontieren, pumpen Sie das System mit folgenden Bedienungsschritten leer, so dass kein Kühlmittel in die Atmosphäre gelangt.

- ① Unterbrechen Sie die Stromzufuhr (Leistungsschalter).
- ② Verbinden Sie das Unterdruckmesser-Rohrverzweigungsventil mit dem Wartungsanschluss des Absperrventils an der Gasrohr-Seite des Außengerätes.
- ③ Schließen Sie das Absperrventil auf der Flüssigkeitsrohr-Seite des Außengerätes vollständig.
- ④ Schalten Sie die Anlage ein (Leistungsschalter).
- ⑤ Führen Sie den Kältemittelsammelvorgang durch (Testlauf im Kühlmodus).
 - Wählen Sie beim PAR-31MAA im Hauptmenü „Service“ → „TestRun“, um den Testlauf zu starten, und wählen Sie dann den Kühlmodus aus.
 - Details oder weitere Informationen zum Starten des Testlaufs bei Verwendung von Fernbedienungen finden Sie in der Installationsanleitung für die Innenanlage oder für die Fernbedienung.
- ⑥ Schließen Sie das Absperrventil am seitlichen Gasrohr an der Außenanlage vollständig, wenn das Druckmessgerät einen Druck von 0,05 bis 0 MPa [Gauge] anzeigt (etwa 0,5 bis 0 kgf/cm²), und schalten Sie die Klimaanlage sofort aus.
 - Drücken Sie die Taste „ON/OFF“ an der Fernbedienung, um die Klimaanlage auszuschalten.
 - * Beachten Sie, dass bei langen Verlängerungsrohren und einer großen Kältemittelmenge möglicherweise kein Abpumpen durchgeführt werden kann. Verwenden Sie in diesem Fall eine Kältemittelsammelvorrichtung, um das gesamte Kältemittel im System zu sammeln.

- ⑦ Unterbrechen Sie die Stromzufuhr (Leistungsschalter), entfernen Sie das Unterdruckmesser-Rohrverzweigungsventil, und trennen Sie dann die Kältemittelleitungen.

⚠️ Warnung:

Schalten Sie beim Abpumpen des Kältemittels den Kompressor ab, bevor die Kältemittelleitungen getrennt werden.

- **Wenn die Kältemittelleitungen bei laufendem Kompressor getrennt werden und das Absperrventil (Kugelventil) geöffnet ist, könnte der Druck im Kältemittelkreislauf extrem hoch werden, wenn Luft angesaugt wird, sodass die Leitungen platzen, Personen verletzt werden usw.**

9. Technische Daten

Außenanlage		SUZ-KA25VA6.TH	SUZ-KA35VA6.TH	SUZ-KA50VA6.TH	SUZ-KA60VA6.TH	SUZ-KA71VA6.TH
Stromversorgung		230 V einphasig, 50 Hz				
Abmessungen B × H × T		800 × 550 × 285			840 × 880 × 330	
Gewicht		30	35	54	50	53
Schallpegel *1	Kühlen	47	49	52	55	
	Heizen	48	50	52	55	

*1 Gemessen bei angegebener Betriebsfrequenz.

1. Les mesures de sécurité suivantes doivent toujours être observées	16	6. Installations électriques	20
2. Choisir l'emplacement de l'installation	16	7. Entretien	21
3. Schéma d'installation	17	8. Purge	22
4. Tuyaux de vidange de l'appareil extérieur	17	9. Caractéristiques techniques	22
5. Mise en place des tuyaux de réfrigérant	18		

1. Les mesures de sécurité suivantes doivent toujours être observées

- Veuillez prévoir un circuit réservé au climatiseur et ne pas brancher d'autres appareils électriques sur ce circuit.
- Veuillez lire en entier "Les mesures de sécurité suivantes doivent toujours être respectées" avant d'installer le climatiseur.
- Comme ces mesures sont très importantes pour votre sécurité, veuillez les respecter.
- Les symboles signifient:

⚠ Avertissement:

Pourrait résulter en un décès, une blessure grave, etc.

⚠ Avertissement:

- Ne pas installer l'appareil vous-même (client). Toute mauvaise installation pourrait résulter en une blessure due à un incendie, un choc électrique, ou une fuite d'eau ou si l'appareil tombait. Consulter votre distributeur ou technicien spécialisé.
- Cet appareil est conçu pour être utilisé par des utilisateurs experts ou spécialement formés dans des ateliers, dans l'industrie légère ou des exploitations agricoles, ou pour une utilisation commerciale par des non-spécialistes.
- Vous assurer que l'appareil est installé dans un endroit assez solide pour en supporter le poids. Autrement, il pourrait tomber et par conséquent blesser quelqu'un.
- Utiliser les câbles spécifiés pour connecter les appareils intérieur et extérieur en toute sécurité, et attacher les fils fermement au bloc de sorties pour qu'aucune force venant des fils ne soit exercée sur les bornes. Toute connexion ou attachement défectueux pourrait résulter en un incendie.
- N'utilisez pas de rallonge et ne branchez pas plusieurs appareils à la même prise de courant CA. Il y aurait risque d'incendie ou de décharge électrique à cause d'un contact ou d'une isolation défectueuse, ou à cause d'un excès de courant etc.
- Vérifier que le gaz réfrigérant ne fuit pas lorsque l'installation est terminée.
- Veuillez suivre ce manuel durant l'installation. Toute installation défectueuse pourrait être la cause d'une blessure due à un incendie, une décharge électrique, si l'appareil tombait ou une fuite d'eau.
- N'utiliser que les câbles spécifiés pour les raccordements. Les raccordements doivent être réalisés correctement sans tension sur les bornes. Ne jamais effectuer de jonction sur les câbles (sauf en cas d'indications contraires). Le non respect de cette consigne peut entraîner une surchauffe ou un incendie.
- Veuillez suivre ce manuel durant l'installation électrique et veuillez utiliser un circuit exclusif pour cette installation électrique. Tout manque de capacité de circuit ou toute installation défectueuse pourrait résulter en un incendie ou une décharge électrique.

⚠ Attention:

- Mettre l'appareil à la terre. Ne pas relier le câble de terre au tuyau de gaz, d'eau, un parafoudre ou un câble de terre téléphonique. Toute mise à la terre défectueuse pourrait être la cause d'un choc électrique.
- Ne pas installer l'appareil dans un endroit où il sera exposé à des gaz inflammables. Tout gaz accumulé autour de l'appareil pourrait exploser.
- Installer un disjoncteur différentiel si nécessaire (lorsque l'endroit de l'installation est humide.) Sans disjoncteur différentiel, il y aura risque de décharge électrique.

2. Choisir l'emplacement de l'installation

2.1. Appareil extérieur

- Emplacement ne favorisant pas une exposition aux rafales de vent.
- Emplacement favorisant une bonne circulation d'air sans poussière.
- Emplacement ne favorisant pas une exposition directe à la pluie et au soleil.
- Emplacement ne suscitant pas une nuisance par le bruit de fonctionnement de l'appareil et la pulsion d'air chaud pour le voisinage.
- Emplacement avec un mur solide ou un support ferme empêchant la propagation du bruit de fonctionnement et de vibrations.
- Emplacement où il n'y a aucun risque de fuites de gaz combustibles.
- Lorsque l'appareil est installé en hauteur, les pieds de support doivent être installés.
- A 3 m au moins de l'antenne d'un téléviseur ou d'une radio. (Autrement il pourrait y avoir du brouillage sonore ou visuel.)
- Veuillez installer le climatiseur dans un endroit à l'abri du vent et de la neige. Dans des zones à fortes chutes de neige, veuillez installer un abri, un socle et/ou des écrans de protection.
- Installer l'appareil à l'horizontale.

⚠ Attention:

Pourrait résulter en une blessure grave, selon les circonstances, si l'appareil est incorrectement utilisé.

- Lorsque vous aurez lu le manuel en entier, veuillez le garder dans un endroit pratique, chez le client, avec le manuel d'utilisation.

⚠ : Indique un élément qui doit être mis à la terre.

⚠ Avertissement:

Prendre soin de lire les étiquettes se trouvant sur l'appareil principal.

- Veuillez fermement attacher les couvercles de la partie électrique de l'appareil intérieur et le panneau de service de l'appareil extérieur. Tout attachement défectueux du couvercle de l'appareil intérieur et/ou le panneau de service de l'appareil extérieur pourrait résulter en un incendie ou un choc électrique à cause de la poussière, de l'eau, etc, pouvant s'infiltrer.
- Veuillez vous assurer d'utiliser la pièce fournie ou les pièces spécifiées pour l'installation. Toute pièce défectueuse utilisée pourrait être la cause d'un incendie, d'un choc électrique, de l'appareil tombant de sa position, etc, ce qui résulterait en une blessure ou une fuite d'eau.
- Aérez le local en cas de fuite de liquide frigorigène en cours de fonctionnement. Tout contact du liquide frigorigène avec une flamme libère des gaz toxiques.
- Pendant l'opération d'aspiration du réfrigérant, arrêtez le compresseur avant de débrancher les tuyaux de réfrigérant. Le compresseur peut éclater si de l'air, etc. pénètre à l'intérieur.
- Lors de l'installation, du déplacement ou de l'entretien du climatiseur, n'utilisez que le réfrigérant spécifié (R410A) pour remplir les tuyaux de réfrigérant. Ne pas le mélanger avec un autre réfrigérant et faire le vide d'air dans les tuyaux. Si du réfrigérant est mélangé avec de l'air, cela peut provoquer des pointes de pression dans les tuyaux de réfrigérant et entraîner une explosion et d'autres risques. L'utilisation d'un réfrigérant différent de celui spécifié pour le climatiseur peut entraîner des défaillances mécaniques, des dysfonctionnements du système ou une panne de l'appareil. Dans le pire des cas, cela peut entraîner un obstacle à la mise en sécurité du produit.

- Veuillez suivre les instructions de ce manuel pour l'installation de la tuyauterie et du système d'évacuation. Si cette installation n'est pas faite correctement, il est possible que l'appareil fuie et par conséquent mouille ou abime vos meubles.
- Serrer l'écrou évasé avec une clé dynamométrique en respectant les indications du présent manuel. Un écrou évasé trop serré peut en effet casser après un certain temps et provoquer une fuite de réfrigérant.

⚠ Précaution:

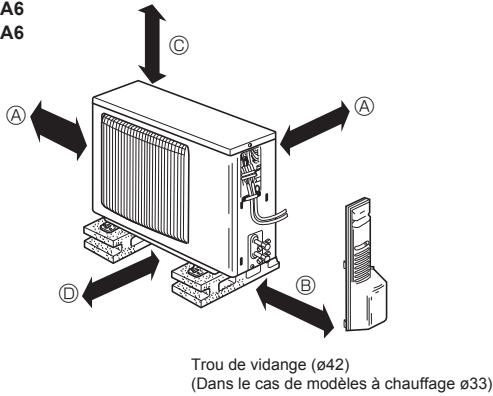
Les emplacements sousmentionnés doivent être évités pour effectuer l'installation s'il existe un risque de panne pour le climatiseur.

- Emplacement où il existe une grande quantité d'huile de machine.
- Sites salins.
- Stations thermales.
- En présence de gaz sulfurique.
- Autres types de conditions climatiques spéciales.

L'unité extérieure produit de la condensation lors du mode de chauffage. Choisir l'endroit où le climatiseur sera monté de façon à éviter à l'unité extérieure et/ou aux sols d'être mouillés par les condensats ou endommagés par le gel des condensats.

3. Schéma d'installation

■ SUZ-KA25VA6 SUZ-KA35VA6



3.1. Appareil extérieur (Fig. 3-1)

Espace pour la ventilation et le service

■ SUZ-KA25VA6 SUZ-KA35VA6

- Ⓐ 100 mm ou plus
- Ⓑ 350 mm ou plus
- Ⓒ Réaliser une ouverture d'au moins 100 mm sans obstruction à l'avant et des deux côtés de l'appareil.
- Ⓓ 200 mm ou plus (Ouvrir les côtés gauche, droite ou arrière.)

■ SUZ-KA50VA6 SUZ-KA60VA6 SUZ-KA71VA6

- Ⓐ 100 mm ou plus
- Ⓑ 350 mm ou plus
- Ⓒ 500 mm ou plus

Lorsque les tuyaux seront attachés à un mur contenant des métaux (fer-blanc) ou du grillage en métal, utiliser un morceau de bois traité chimiquement de 20 mm ou plus entre le mur et les tuyaux ou envelopper les tuyaux de 7 ou 8 couches d'isolant en vinyle.

Les appareils doivent être installés par un technicien qualifié suivant les réglementations locales en vigueur.

Remarque:

Si vous utilisez le climatiseur alors que la température extérieure est basse, veuillez à observer les instructions décrites ci-dessous.

- N'installez jamais l'appareil extérieur dans un endroit où le côté présentant l'entrée/sortie d'air risque d'être directement exposé au vent.
- Pour protéger l'appareil extérieur du vent, installez-le de façon à ce que l'entrée d'air soit face au mur.
- Pour éviter toute exposition au vent, il est recommandé d'installer un écran de protection du côté de la sortie d'air de l'appareil extérieur.

■ SUZ-KA50VA6 SUZ-KA60VA6 SUZ-KA71VA6

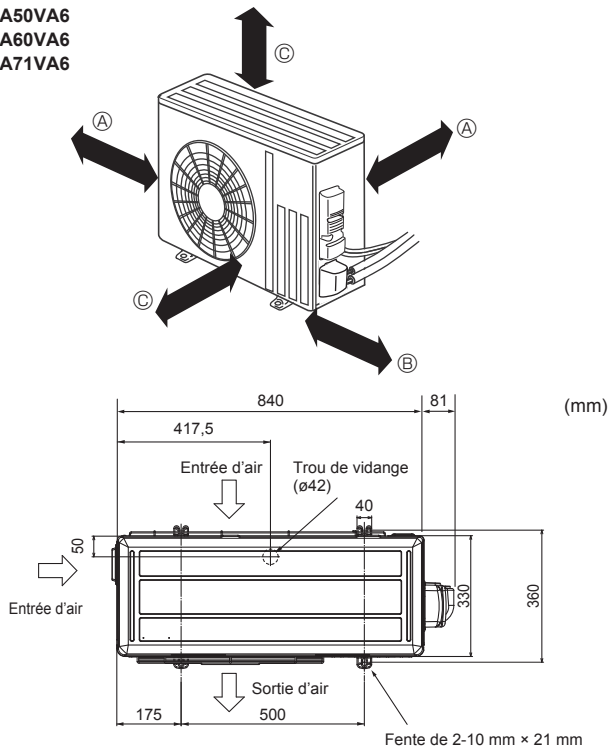


Fig. 3-1

4. Tuyaux de vidange de l'appareil extérieur (Fig. 4-1)

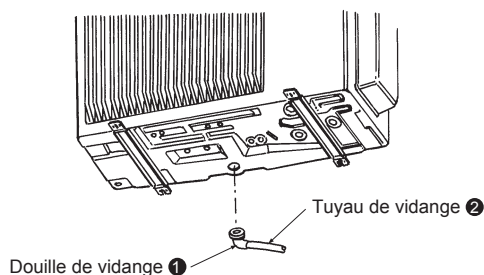


Fig. 4-1

4.1. Accessoires

Veuillez contrôler les pièces suivantes avant l'installation.

<Appareil extérieur>

①	Douille de vidange	1
---	--------------------	---

- Installez les tuyaux de vidange avant les tuyaux des appareils intérieur et extérieur. (Il sera difficile d'installer la douille de vidange ① si les tuyaux des appareils intérieur et extérieur sont raccordés avant les tuyaux de vidange car l'appareil extérieur ne pourra plus être déplacé.)
- Raccordez le tuyau de vidange ② (en vente en magasin, diamètre intérieur de 15 mm) comme le montre l'illustration relative aux tuyaux de vidange.
- Veillez à incliner les tuyaux de vidange vers le bas pour faciliter le flux de vidange.

Remarque:

N'utilisez pas la douille de vidange ① dans les régions froides. Le liquide vidangé pourrait geler et provoquer l'arrêt du ventilateur.

5. Mise en place des tuyaux de réfrigérant

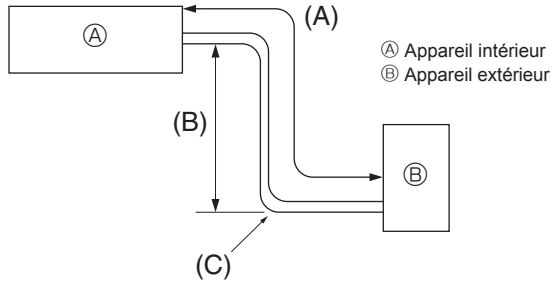


Fig. 5-1

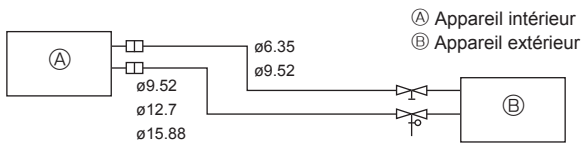


Fig. 5-2

5.1. Tuyaux de réfrigérant (Fig. 5-1)

► Vérifier que la différence de hauteur entre les appareils intérieur et extérieur, la longueur du tuyau de réfrigérant et le nombre de coudes permis dans le tuyau se situent au sein des limites reprises dans le tableau ci-dessous.

Modèles	(A) Longueur du tuyau (un sens)	(B) Différence de hauteur	(C) Nombre de coudes (un sens)
SUZ-KA25/KA35	max. 20 m	max. 12 m	max. de 10
SUZ-KA50/KA60/KA71	max. 30 m	max. 30 m	max. de 10

- Les spécifications concernant la différence d'élévation s'appliquent à toutes dispositions des appareils intérieurs et extérieurs, sans tenir compte de celui qui est le plus élevé.
- Équilibrage au réfrigérant ... Si la longueur de la tuyauterie dépasse 7 m, un supplément de réfrigérant (R410A) doit être rajouté. (L'appareil extérieur est chargé d'une quantité de réfrigérant suffisante pour une tuyauterie allant jusqu'à 7 m.)

Longueur de tuyauterie	Jusqu'à 7 m	Aucun supplément de réfrigérant n'est exigé.
	Dépasse 7 m	Un supplément de réfrigérant à rajouter. (Consulter le tableau ci-dessous.)
Quantité de réfrigérant à rajouter	SUZ-KA25/KA35 type	30 g × (Longueur du tuyau de réfrigérant (m) - 7)
	SUZ-KA50/KA60 type	20 g × (Longueur du tuyau de réfrigérant (m) - 7)
	SUZ-KA71 type	55 g × (Longueur du tuyau de réfrigérant (m) - 7)

(1) Le tableau ci-dessous montre les spécifications des tuyaux disponibles en commerce.

Modèle	Tuyau	Diamètre extérieur		Épaisseur min. du mur	Épaisseur de l'isolant	Isolant
		mm	pouce			
SUZ-KA25	à liquide	6,35	1/4	0,8 mm	8 mm	Plastique mousse résistant à la chaleur gravité spécifique de 0,045
	à gaz	9,52	3/8	0,8 mm	8 mm	
SUZ-KA35	à liquide	6,35	1/4	0,8 mm	8 mm	
	à gaz	9,52	3/8	0,8 mm	8 mm	
SUZ-KA50	à liquide	6,35	1/4	0,8 mm	8 mm	
	à gaz	12,7	1/2	0,8 mm	8 mm	
SUZ-KA60	à liquide	6,35	1/4	0,8 mm	8 mm	
	à gaz	15,88	5/8	0,8 mm	8 mm	
SUZ-KA71	à liquide	9,52	3/8	0,8 mm	8 mm	
	à gaz	15,88	5/8	1,0 mm	8 mm	

(2) Vous assurer que les deux tuyaux à réfrigérant sont bien isolés contre la condensation.

(3) Le rayon du coude du tuyau à réfrigérant doit mesurer au moins 100 mm.

⚠ Attention:

Utiliser un isolant de l'épaisseur spécifiée. Trop d'épaisseur empêchera le stockage derrière l'appareil intérieur et un isolant trop mince ne pourra éviter le suintage de condensation.

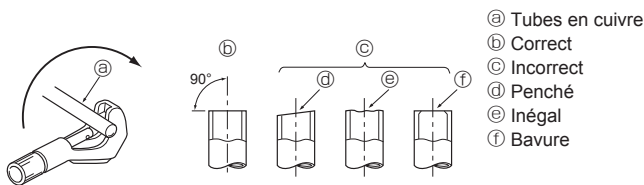


Fig. 5-3

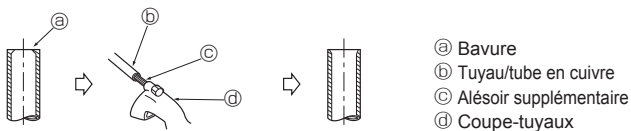


Fig. 5-4



Fig. 5-5

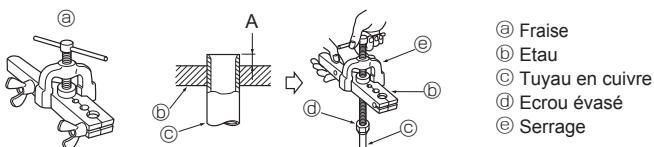


Fig. 5-6

5.2. Evasement

- La cause principale de fuite de gaz est un évitement défectueux. Veuillez effectuer l'évatement selon la méthode suivante.

5.2.1. Couper le tuyau (Fig. 5-3)

- Utiliser un coupe-tuyaux pour couper le tube en cuivre correctement.

5.2.2. Enlever les bavures (Fig. 5-4)

- Enlever toutes les bavures du tube/tuyau coupé.
- Tenir le tuyau/tube avec le bout orienté vers le bas pendant que vous enlevez les bavures pour éviter qu'elles ne tombent à l'intérieur du tuyau.

5.2.3. Mettre l'écrou en place (Fig. 5-5)

- Enlever les écrous évasés situés sur les appareils intérieur et extérieur, puis les mettre sur le tube/tuyau une fois toutes les bavures enlevées. (il n'est pas possible de les mettre en place après le fraisage)

5.2.4. Le fraisage (Fig. 5-6)

- Faire le fraisage à l'aide de la fraise en suivant les indications du croquis de droite.

Diamètre de tuyau (mm)	Dimension	
	A (mm)	B ⁺⁰ _{-0,4} (mm)
	Lors de l'utilisation de l'outil pour le R410A	
	Type d'embranchage	
6,35	0 - 0,5	9,1
9,52	0 - 0,5	13,2
12,7	0 - 0,5	16,6
15,88	0 - 0,5	19,7

Coincer fermement le tube en cuivre dans un étau aux dimensions indiquées ci-dessus.

5. Mise en place des tuyaux de réfrigérant

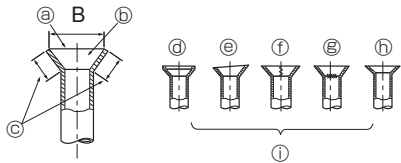


Fig. 5-7

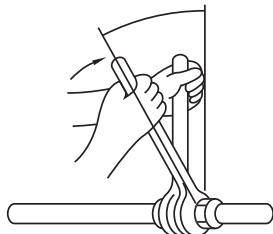


Fig. 5-8

5.2.5. Vérification (Fig. 5-7)

- Comparer le fraisage avec le croquis de droite.
- Si le fraisage est défectueux, couper la section fraisée et refaire le fraisage.

- Ⓐ Lisse tout autour
- Ⓑ L'intérieur brille et n'est pas rayé
- Ⓒ La même longueur partout
- Ⓓ Trop
- Ⓔ Penché
- Ⓛ Rayure sur la surface évasée
- Ⓜ Craqué
- Ⓨ Inégal
- Ⓩ Exemples de mauvais spécimens

- Appliquer une fine couche d'huile de réfrigérant sur la surface du siège de conduite. (Fig. 5-8)
- Le raccordement est réalisé en alignant d'abord le centre puis en serrant les 3 ou 4 premiers tours de l'écrou de fixation à évasement.
- Appliquer les couples de serrage spécifiés dans le tableau ci-dessous comme moyen de référence pour les raccords de tuyauterie de l'appareil intérieur et serrer avec deux clés. Un serrage endommage la partie évasée.

Diam. ext. Tuyau en cuivre (mm)	Diam.ext. raccord conique (mm)	Couple de serrage (N·m)
ø6,35	17	14 - 18
ø9,52	22	34 - 42
ø12,7	26	49 - 61
ø15,88	29	68 - 82

⚠ Avertissement:

Pendant l'installation de l'appareil, branchez correctement les tuyaux de réfrigérant avant de lancer le compresseur.

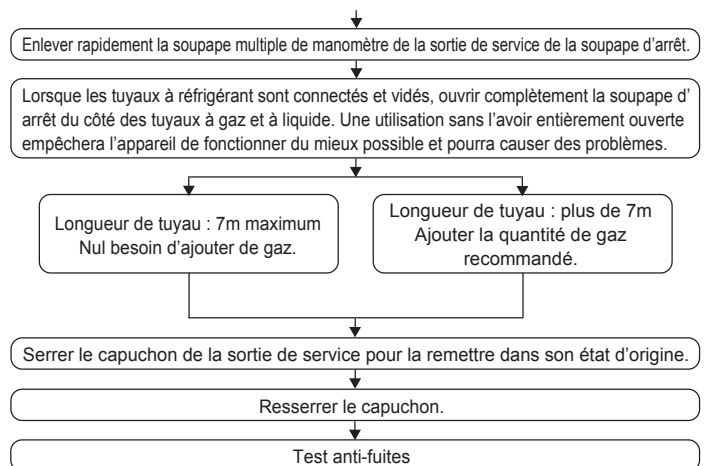
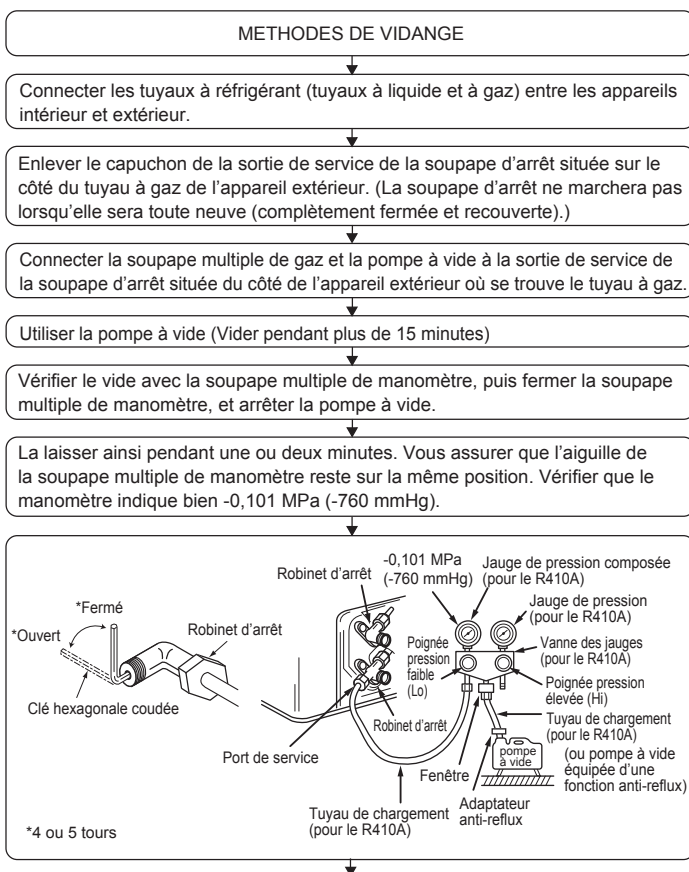
⚠ Avertissement:

Attention aux écrous évasés volants! (pressurisation interne)

Retirer l'écrou évasé en procédant comme suit:

1. Desserrer l'écrou jusqu'à ce qu'un sifflement se fasse entendre.
2. Ne jamais retirer l'écrou tant que tout le gaz ne s'est pas échappé (c'est-à-dire lorsque le sifflement s'arrête).
3. Vérifier si tout le gaz s'est échappé avant de retirer l'écrou.

5.5. Test anti-fuites et méthodes de vidange



6. Installations électriques

6.1. Appareil extérieur (Fig. 6-1, Fig. 6-2, Fig. 6-3, Fig. 6-4)

- ① Déposez le panneau de service.
- ② Raccordez les câbles conformément aux Fig. 6-1, Fig. 6-2, Fig. 6-3 et Fig. 6-4.

■ SUZ-KA25/35/50VA6

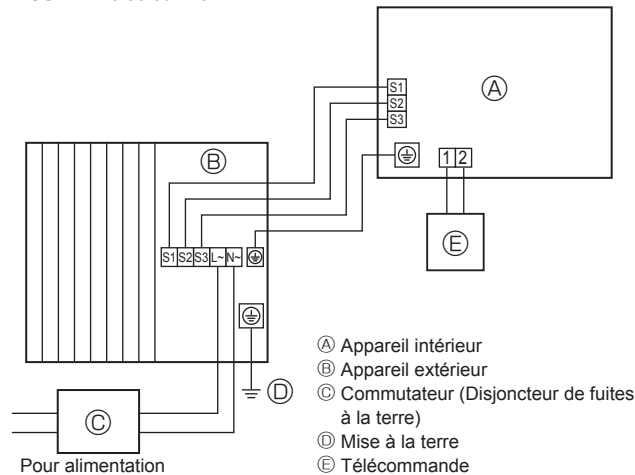
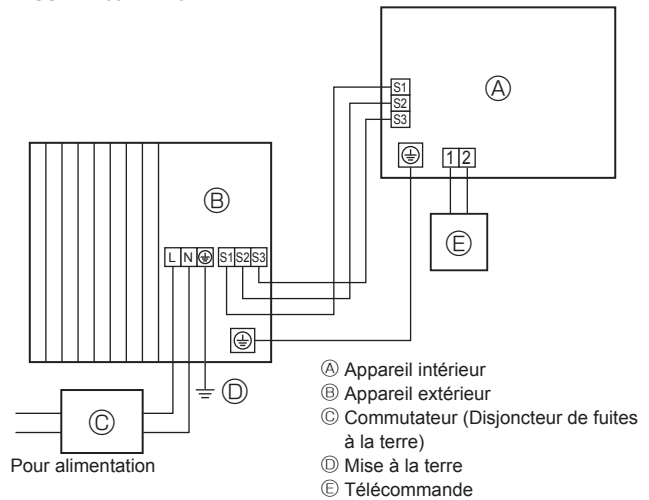


Fig. 6-1

■ SUZ-KA60/71VA6



Embase de borne inférieure

■ Pour SUZ-KA25/KA35/KA50VA6

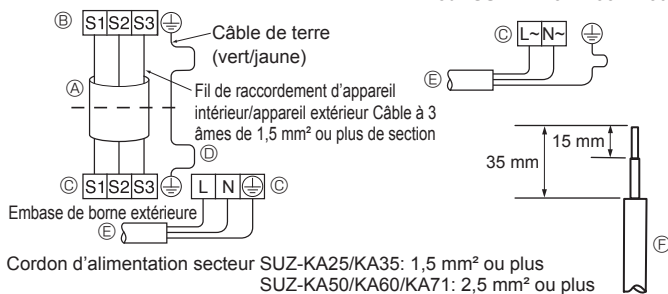


Fig. 6-2

■ SUZ-KA25/35VA6

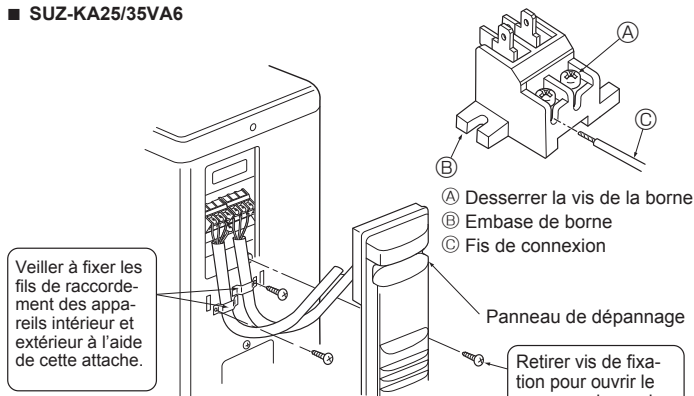


Fig. 6-3

■ SUZ-KA50/60/71VA6

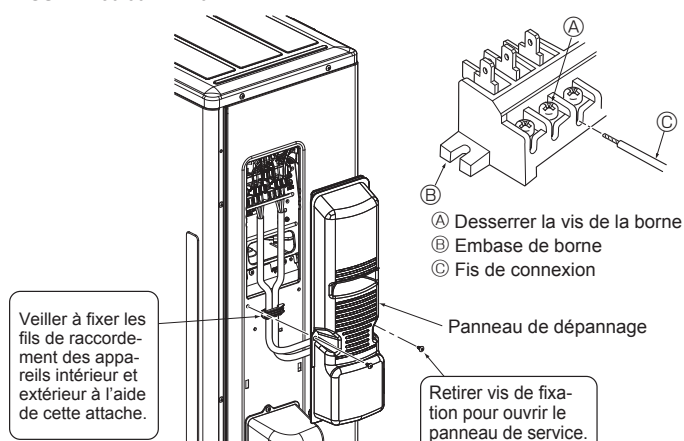


Fig. 6-4

- Effectuez le câblage selon le diagramme en bas et à gauche. (Veuillez vous procurer le câble localement) (Fig. 6-2)

Assurez-vous que les câbles utilisés sont de la polarité correcte.

- A Câble de connexion
- B Embase de borne intérieure
- C Embase de borne extérieure
- D Posez toujours un câble de mise à la terre plus long que les autres câbles.
- E Cordon d'alimentation
- F Fis de connexion

- Veiller à ce que le fil de terre soit plus long que les autres. (plus de 100 mm)
- Prévoir une longueur de câble de connexion supplémentaire en vue d'entretiens ultérieurs.
- Lors du raccordement du cordon et/ou du fil au bloc de sortie, veiller à fixer chaque vis à la borne correspondante.

- Connecter le câble de l'appareil intérieur à la boîte de sorties.
- Utiliser le même bloc de sorties et la même polarité que pour l'unité intérieure.
- Pour pouvoir effectuer des révisions dans le futur, laisser un peu de jeu dans le câble de connexion.

- Les deux extrémités du câble de connexion (rallonge) doivent être dénudées. Lorsque le câble est trop long ou lorsqu'il est relié à partir du milieu, dénuder le câble d'alimentation en respectant les dimensions indiquées à droite.
- Faire attention que le câble de connexion n'entre pas en contact avec les tuyaux.

⚠ Attention:

- Faites attention de brancher les fils correctement.
- Serrer fermement les vis des bornes pour les empêcher de se desserrer.
- Puis tirer légèrement sur les fils pour vous assurer qu'ils ne bougent pas.

⚠ Avertissement:

- Veiller à visser correctement le panneau de service à l'appareil extérieur. Si le panneau de service n'est pas bien installé, de l'eau, des poussières, etc. pourraient pénétrer à l'intérieur de l'appareil, entraînant un risque d'incendie ou de décharge électrique.
- Ressermer convenablement les vis des terminaux.
- Le câblage doit s'effectuer sans que les lignes d'alimentation électrique soient soumises à une tension. Sinon, il pourrait y avoir surchauffe, voire un risque d'incendie.

6. Installations électriques

6.2. Raccordez les câbles électriques

Modèle de l'appareil extérieur		SUZ-KA25/KA35	SUZ-KA35 *3	SUZ-KA50/KA60/KA71
Alimentation de l'appareil extérieur		~N (monophasé), 50 Hz, 230 V	~N (monophasé), 50 Hz, 230 V	~N (monophasé), 50 Hz, 230 V
Capacité d'entrée de l'appareil extérieur Commutateur principal (Disjoncteur)		*1 10 A	16 A	20 A
Raccordement du câble N° x taille (mm²)	Alimentation de l'appareil extérieur	2 x Min. 1,5	2 x Min. 2,0	2 x Min. 2,5
	Alimentation de l'appareil extérieur, mise à la terre	1 x Min. 1,5	1 x Min. 2,0	1 x Min. 2,5
	Appareil intérieur-Appareil extérieur	3 x 1,5 (Polaire)	3 x 1,5 (Polaire)	3 x 1,5 (Polaire)
	Appareil intérieur-Appareil extérieur, mise à la terre	1 x Min. 1,5	1 x Min. 1,5	1 x Min. 1,5
Intensité du circuit	Appareil extérieur L-N	*2 230 Vca	230 Vca	230 Vca
	Appareil intérieur-Appareil extérieur S1-S2	*2 230 Vca	230 Vca	230 Vca
	Appareil intérieur-Appareil extérieur S2-S3	*2 12 Vcc – 24 Vcc	12 Vcc – 24 Vcc	12 Vcc – 24 Vcc

*1. Un disjoncteur présentant une séparation de contact de 3 mm minimum à chaque pôle doit être installé. Utilisez un disjoncteur de fuites à la terre (NV).

S'assurer que le disjoncteur de fuite de courant est compatible avec les harmoniques les plus élevées.

Veiller à toujours utiliser un disjoncteur de fuite de courant compatible avec les harmoniques les plus élevées car cet appareil est équipé d'un inverseur.

L'utilisation d'un disjoncteur inapproprié peut provoquer un dysfonctionnement de l'onduleur.

*2. Les chiffres NE sont PAS toujours en rapport avec la terre.

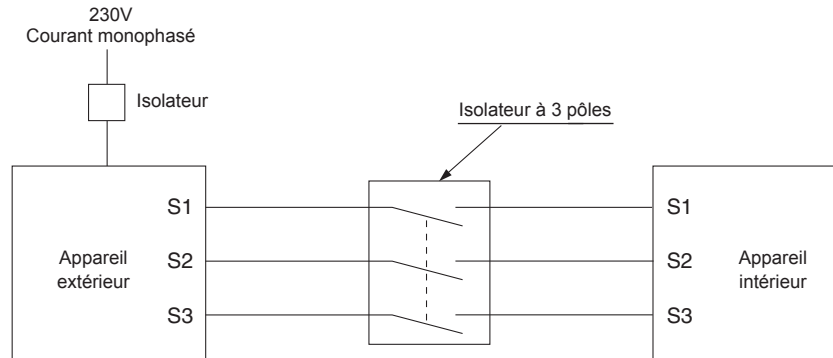
La borne S3 présente 24 Vcc par rapport à la borne S2. Cependant entre les bornes S3 et S1, l'isolation électrique n'est PAS assurée par un transformateur ou tout autre dispositif.

*3. Dans le cas d'une combinaison dans la série PEAD-RP35JA.

Remarques: 1. La taille du câblage doit être conforme aux réglementations locales et nationales en vigueur.

2. Les cordons d'alimentation et les cordons de raccordement des appareils intérieur/extérieur ne doivent pas être plus fins qu'un cordon souple à gaine de polychloroprène. (Modèle 60245 IEC 57)

3. Posez un câble de mise à la masse plus long que les autres câbles.



⚠ Avertissement:

Il est possible que la borne S3 reçoive une tension élevée en raison du schéma du circuit électrique qui ne présente aucune isolation entre le câble d'alimentation et les câbles de signaux de communication. Ainsi, veuillez couper l'alimentation principale pendant l'entretien. Et ne touchez pas aux bornes S1, S2, S3 lorsque le circuit est alimenté. Si un isolateur doit être utilisé entre l'appareil intérieur et l'appareil extérieur, veuillez utiliser un isolateur à 3 pôles.

Ne jamais effectuer de jonction du câble d'alimentation ou du câble de raccordement intérieur-extérieur car cela peut entraîner une surchauffe, un incendie ou un raccordement défaillant.

7. Entretien

7.1. Charge de Gaz (Fig. 7-1)

- Raccorder le tuyau de gaz au port de service de la vanne d'arrêt (à 3 voies).
- Purger l'air du tuyau raccordé au tuyau de gaz réfrigérant.
- Ajouter la quantité spécifiée de réfrigérant, pendant que le climatiseur fonctionne en mode rafraîchissement.

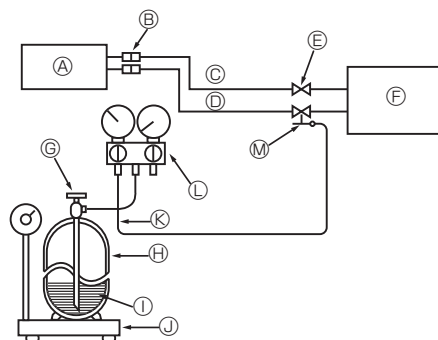
Remarque:

En cas d'ajout de réfrigérant, respecter la quantité précisée pour le cycle de réfrigération.

⚠ Attention:

- Ne pas décharger le réfrigérant dans l'atmosphère. Faire attention de ne pas décharger le réfrigérant dans l'atmosphère durant l'installation, une nouvelle installation ou la réparation du circuit réfrigérant.
- En cas de supplément de charge, charger le réfrigérant sous sa forme liquide à partir d'un cylindre de gaz. Si le réfrigérant est chargé sous sa forme gazeuse, sa composition risque de se modifier à l'intérieur du cylindre et dans l'appareil extérieur. Dans ce cas, la capacité de refroidissement du réfrigérant diminue ou le fonctionnement normal peut même s'avérer impossible. Attention: une charge trop rapide de tout le réfrigérant liquide risque de bloquer le compresseur; dès lors, nous conseillons de charger le réfrigérant lentement.

Pour maintenir une pression élevée dans le cylindre de gaz, le réchauffer avec de l'eau chaude (d'une température inférieure à 40°C) pendant la saison froide. Ne jamais utiliser une flamme vive ou de la vapeur pour effectuer cette opération.



- | | |
|--|---|
| (A) Appareil intérieur | (H) Cylindre de gaz réfrigérant pour R410A, avec siphon |
| (B) Raccord | (I) Réfrigérant (liquide) |
| (C) Conduite de liquide | (J) Echelle électronique pour la charge de réfrigérant |
| (D) Conduit de gaz réfrigérant | (K) Conduite flexible de chargement (pour le R410A) |
| (E) Robinet d'arrêt | (L) Jauge collectrice (pour le R410A) |
| (F) Appareil extérieur | (M) Prise de service |
| (G) Vanne de fonctionnement du cylindre de réfrigérant | |

Fig. 7-1

8. Purge

Lors du déplacement ou de la mise au rebut du climatiseur, il est nécessaire de purger le système en suivant la procédure ci-dessous de façon à ne pas libérer le réfrigérant dans l'atmosphère.

- ① Couper le courant (disjoncteur).
- ② Raccordez la vanne du collecteur à jauge à l'ouverture de service du robinet d'arrêt du côté du conduit de gaz de l'unité externe.
- ③ Fermez complètement le robinet d'arrêt du côté du conduit de liquide de l'unité externe.
- ④ Rétablir le courant (disjoncteur).
- ⑤ Procédez à la récupération du réfrigérant (essai de refroidissement).
 - Pour le PAR-31MAA, sélectionner "Service" → "TestRun" dans le menu principal pour démarrer l'essai de refroidissement et sélectionner le mode de refroidissement.
 - Pour plus de détails ou d'informations sur le démarrage de l'essai à l'aide de télécommandes, se reporter au manuel d'installation de l'appareil intérieur ou de la télécommande.
- ⑥ Fermez complètement le robinet d'arrêt du côté du conduit de gaz de l'appareil extérieur lorsque le manomètre indique 0,05 à 0 MPa [jauge] (environ 0,5 à 0 kgf/cm²) et arrêtez rapidement le climatiseur.
 - Appuyer sur la touche "ON/OFF" de la télécommande pour arrêter le climatiseur.
 - * Attention : si le tuyau de rallonge est très long et contient une grande quantité de réfrigérant, il peut être impossible d'effectuer une purge. Dans ce cas, utiliser un équipement de récupération du réfrigérant pour récupérer tout le réfrigérant du système.

- ⑦ Couper l'alimentation (disjoncteur), retirer la vanne du collecteur à jauge puis débrancher les tuyaux de réfrigérant.

⚠ Avertissement :

Pendant la purge du réfrigérant, arrêter le compresseur avant de débrancher les tuyaux de réfrigérant.

- **Si les tuyaux de réfrigérant sont débranchés avant l'arrêt du compresseur et lorsque le robinet d'arrêt (clapet à bille) est ouvert, la pression du cycle de réfrigération pourrait s'élever excessivement si de l'air était aspiré, provoquant l'explosion des tuyaux, des blessures, etc.**

9. Caractéristiques techniques

Modèle extérieur		SUZ-KA25VA6.TH	SUZ-KA35VA6.TH	SUZ-KA50VA6.TH	SUZ-KA60VA6.TH	SUZ-KA71VA6.TH
Alimentation		Monophasée 230 V, 50 Hz				
Dimensions l × H × P		800 × 550 × 285			840 × 880 × 330	
Poids		30	35	54	50	53
Niveau sonore *1	Refroidissement	47	49	52	55	
	Chauffage	48	50	52	55	

*1 Mesuré à fréquence de fonctionnement nominale.

Inhoud

1. Veiligheidsvoorschriften	23	6. Elektrische aansluitingen	27
2. De installatieplaats kiezen	23	7. Onderhoud	28
3. Installatieschema	24	8. Leegpompen	29
4. Afvoerleidingen voor buitenunit	24	9. Specificaties	29
5. Koelleidingwerk	25		

1. Veiligheidsvoorschriften

- Gebruik een exclusief circuit voor de airconditioner en sluit er geen andere elektrische apparaten op aan.
- Lees “Aandachtspunten voor de veiligheid” voordat u de airconditioner installeert.
- Zorg dat u de waarschuwingen in acht neemt, omdat deze belangrijke informatie over de veiligheid bevatten.
- De symbolen hebben de volgende betekenissen:

⚠ Waarschuwing:

Kan leiden tot de dood, ernstig letsel, enzovoort.

⚠ Waarschuwing:

- De installatie moet door een vakman worden uitgevoerd. Onvolledige installatie kan leiden tot letsel als gevolg van brand, een elektrische schok, het vallen van de unit of waterlekage. Raadpleeg de dealer bij wie u de unit hebt aangeschaft of een gespecialiseerde installateur.
- Dit toestel is bedoeld voor gebruik door deskundige of getrainde gebruikers in winkels, in de lichte industrie en op boerderijen, of voor commercieel gebruik door leken.
- Installeer de unit degelijk op een plaats die berekend is op het gewicht van de unit. Als de unit op een te zwakke plaats wordt bevestigd, kan hij vallen en letsel veroorzaken.
- Gebruik de aangegeven kabels om de binnen- en buitenunits met elkaar te verbinden. Sluit de draden stevig aan op de aansluitpunten van het klembord, zodat de spanning op de draden niet wordt overgebracht op deze onderdelen. Onvolledige verbinding of aansluiting kan brand veroorzaken.
- Gebruik geen tussenkabel of verlengsnoer bij het aanleggen van de elektriciteit. Sluit niet meer dan één apparaat aan per stopcontact. Dit kan leiden tot brand of een elektrische schok als gevolg van een ondeugdelijk contact, ondeugdelijke isolatie, overschrijding van de toegestane belasting, enzovoort.
- Controleer of er geen koelgas lekt nadat de unit is geïnstalleerd.
- Voer de installatie veilig uit aan de hand van de installatiehandleiding. Onvolledige installatie kan leiden tot lichamelijk letsel als gevolg van brand, elektrische schokken, het vallen van de unit of waterlekage.
- Gebruik uitsluitend de gespecificeerde kabels voor het verbinden. De aansluitingen moeten stevig vastzitten zonder druk op de aansluitpunten. Splijt de kabels nooit voor het bedraden (tenzij in deze handleiding anders wordt aangegeven). Het niet opvolgen van deze aanwijzingen kan leiden tot oververhitting of brand.

⚠ Voorzichtig:

- Aard de unit. Verbind de aarddraad niet met een gasleiding, waterleidingafsluiter of een aarddraad voor een telefoonaansluiting. Ondeugdelijke aarding kan leiden tot een elektrische schok.
- Installeer de unit niet in een ruimte waar een brandbaar gas lekt. Als er gas lekt en dit zich in de ruimte rond de unit ophoopt, kan dit tot een explosie leiden.
- Installeer een aardlekschakelaar als de unit wordt geïnstalleerd in een vochtige ruimte.

⚠ Voorzichtig:

Kan in een bepaalde omgeving bij onjuist gebruik leiden tot ernstig letsel.

- Bewaar deze handleiding na het lezen, samen met de bedieningshandleiding, op een handige plaats bij de klant.



: Geeft een onderdeel aan dat geaard moet worden.

⚠ Waarschuwing:

Lees de stickers die op het apparaat zitten zorgvuldig.

- Voer de elektrische installatie uit volgens de aanwijzingen in de installatiehandleiding en gebruik een aparte stroomkring. Als het vermogen van de stroomkring niet toereikend is of de elektrische installatie niet volledig is afgewerkt, kan dit leiden tot brand of een elektrische schok.
- Bevestig de beschermkap van de schakeldoos stevig aan de binnenunit. Bevestig het onderhoudspaneel stevig aan de buitenunit. Als de beschermkap van de schakeldoos aan de binnenunit en/of het onderhoudspaneel aan de buitenunit niet goed zijn bevestigd, kan dit leiden tot brand, veroorzaakt door stof, water enzovoort.
- Zorg dat u bij de installatie de meegeleverde of aangegeven onderdelen gebruikt. Het gebruik van ondeugdelijke onderdelen kan leiden tot letsel of waterlekage als gevolg van brand, een elektrische schok, het vallen van de unit, enzovoort.
- Ventileer de kamer als er koelstof lekt wanneer de unit in werking is. Als de koelstof met vuur in contact komt, komen er giftige gassen vrij.
- Als u het koelmiddel uit het apparaat pompt, zet de compressor dan stop voordat u de koelmiddelleidingen losmaakt. De compressor kan barsten als er lucht etc. in komt.
- Gebruik bij het installeren of verplaatsen van het apparaat uitsluitend de voorgeschreven koelstof (R410A) voor het vullen van de koelstofpijpen. Meng de koelstof niet met andere koelstoffen en let erop dat er geen lucht in de pijpen achterblijft. Als de koelstof wordt gemengd met lucht, kan dit een uitzonderlijk hoge druk in de koelstofpijp tot gevolg hebben. Dit kan resulteren in explosiegevaar en andere gevaren. Als er een andere koelstof wordt gebruikt dan de voorgeschreven koelstof, heeft dit mechanische storingen, storingen van het systeem of uitvallen van het apparaat tot gevolg. In het ergste geval kan de veiligheid van het product ernstig in gevaar komen.

Als er geen aardlekschakelaar is geïnstalleerd, kan dit leiden tot een elektrische schok.

- Voer de werkzaamheden aan het afvoer- en leidingstelsel zorgvuldig uit volgens de installatiehandleiding. Als er een defect optreedt in het afvoer- en leidingstelsel, kan dit leiden tot waterlekage uit de unit en waterschade aan meubilair en dergelijke.
- Draai een optrompvoer aan met een momentsleutel zoals aangegeven in deze handleiding. Wanneer u een optrompvoer te stevig aandraait, kan deze na verloop van tijd breken en koelstoflekage veroorzaken.

2. De installatieplaats kiezen

2.1. Buitenunit

- Waar deze niet wordt blootgesteld aan harde wind.
- Waar de luchtstroom voldoende en stofvrij is.
- Waar de unit niet wordt blootgesteld aan regen en direct zonlicht.
- Waar de burens geen last hebben van het geluid of de warme lucht van de unit.
- Aan een stevige muur of houder, zodat het werken van de unit geen extra geluid of trillingen veroorzaakt.
- Waar geen gevaar bestaat dat brandbare gassen gaan lekken.
- Bevestig de pootjes van de unit wanneer u de unit hoog installeert.
- Op ten minste 3 meter afstand van een antenne voor radio of televisie. De unit kan storen op het beeld of geluid van uw televisie of radio.
- Installeer het apparaat op een plaats die niet aan sneeuwval of stuifneeuw blootstaat. Op plaatsen met zware sneeuwval dient u een afdak, een verhoging en/of enkele schotten aan te brengen.
- Installeer de unit horizontaal.

⚠ Voorzichtig:

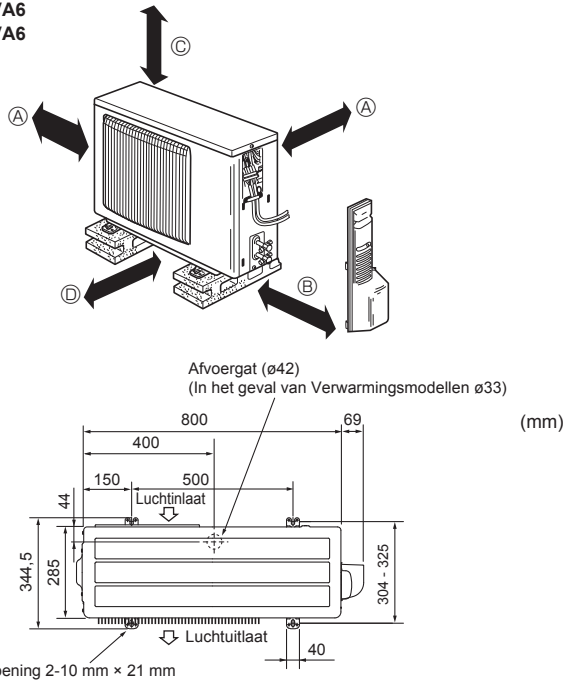
Vermijd de volgende plaatsen, omdat daar mogelijk problemen met de airconditioner zullen optreden.

- Ruimten met veel machineolie.
- Een zoute omgeving, zoals aan zee.
- De omgeving van warme bronnen.
- Plaatsen met zwavelgassen.
- Andere plaatsen met een bijzondere luchtgesteldheid.

De buitenunit produceert condensatie tijdens het verwarmen. Bepalen van de installatieplaats om te voorkomen dat de buitenunit en/of de grond nat worden door afvoerwater of beschadigd door bevroren afvoerwater.

3. Installatieschema

- SUZ-KA25VA6
SUZ-KA35VA6



- SUZ-KA50VA6
SUZ-KA60VA6
SUZ-KA71VA6

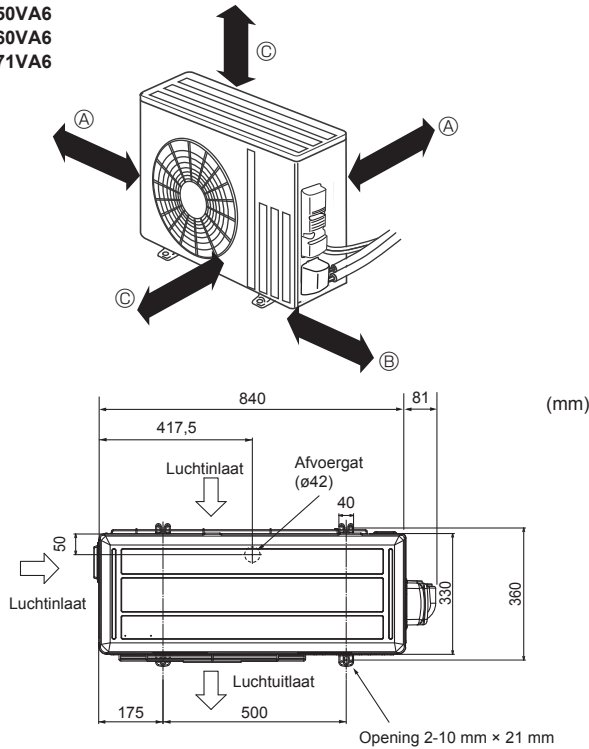


Fig. 3-1

4. Afvoerleidingen voor buitenunit (Fig. 4-1)

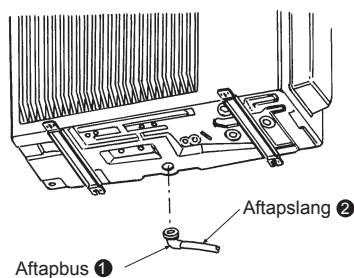


Fig. 4-1

3.1. Buitenunit (Fig. 3-1)

Ruimte voor ventilatie en ruimte

- SUZ-KA25VA6
SUZ-KA35VA6

- Ⓐ 100 mm of meer
- Ⓑ 350 mm of meer
- Ⓒ Houd aan de voor- en zijkanten van de unit tenminste 100 mm vrij zonder belemmering.
- Ⓓ 200 mm of meer (Houd twee van de zijden aan de zijkant of achterkant vrij.)

- SUZ-KA50VA6
SUZ-KA60VA6
SUZ-KA71VA6

- Ⓐ 100 mm of meer
- Ⓑ 350 mm of meer
- Ⓒ 500 mm of meer

Wanneer de leidingen aan een muur worden bevestigd die een metalen afdekking of rooster bevat, moet u een geïmpregneerde houten lat met een dikte van minimaal 20 mm tussen de muur en de leidingen plaatsen of ten minste 7 of 8 lagen vinyl isolatietape om de leiding wikkelen.

De units moeten door een gekwalificeerd vakman worden geïnstalleerd, in overeenstemming met plaatselijke regelgeving.

Opmerking:

Bij het werken met de airconditioner bij lage buitentemperaturen dient u de onderstaande instructies op te volgen.

- Plaats de buitenunit nooit op een locatie waarbij de zijde van de luchtinlaat of -uitlaat rechtstreeks aan de wind bloot kan staan.
- Om blootstelling aan de wind te voorkomen dient u de buitenunit met de luchtinlaat naar de muur gericht te plaatsen.
- Om blootstelling aan de wind te voorkomen wordt aanbevolen aan de zijde van de luchtuitlaat van de buitenunit een schotplaat aan te brengen.

4.1. Accessoires

Controleer voordat u met installeren begint de volgende onderdelen.

<Buitenunit>

①	Aftapbus	1
---	----------	---

- Plaats de afvoerleidingen voordat u de verbingsleidingen tussen binnenunit en buitenunit aansluit. (Wanneer de verbingsleidingen tussen binnenunit en buitenunit zijn aangesloten voordat aftapbus ① wordt geïnstalleerd, bemoeilijkt dit de installatie van de aftapbus omdat de buitenunit dan niet meer kan worden verplaatst.)
- Sluit de aftapslang ② aan (los verkrijgbaar, binnendiameter: 15 mm) zoals wordt weergegeven in de afbeelding van de afvoer.
- Plaats afvoerleidingen in neerwaartse richting. Dit vergemakkelijkt de afvoer.

Opmerking:

Gebruik de aftapbus ① niet in een koude omgeving. Dit kan namelijk leiden tot de bevriezing in de afvoerleidingen waardoor de ventilator tot stilstand komt.

5. Koelleidingwerk

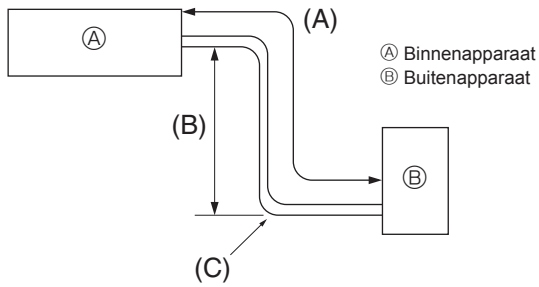


Fig. 5-1

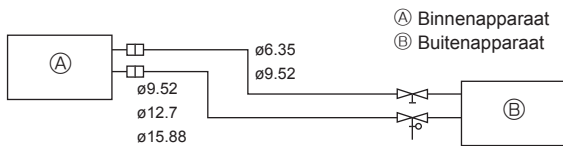


Fig. 5-2

5.1. Koelpijpen (Fig. 5-1)

► Controleer dat het verschil in hoogte tussen het binnen- en het buitenapparaat, de lengte van de koelpijpen en het aantal bochten in de leidingen binnen de limieten zoals in onderstaande tabel aangegeven vallen.

Modellen	(A) Pijplengte (1 richting)	(B) Hoogteverschil	(C) Aantal bochten benden (1 richting)
SUZ-KA25/KA35	max. 20 m	max. 12 m	max. 10
SUZ-KA50/KA60/KA71	max. 30 m	max. 30 m	max. 10

- De begrenzingen voor het hoogteverschil zijn voor alle opstellingen van binnen- en buitenapparaten bindend, onafhankelijk van het feit welk apparaat hoger opgesteld wordt.
- Toevoegen koelvloeistof ... Indien de leidinglengte meer dan 7 m is, is extra koelvloeistof (R410A) vereist.
(Het buitenapparaat is voorzien van koelvloeistof voor een leiding van maximaal 7 m.)

Leidinglengte	Maximaal 7 m	Geen extra koelvloeistof vereist.
	Meer dan 7 m	Extra koelvloeistof vereist. (Zie de tabel hieronder.)
Toe te voegen koelvloeistof	SUZ-KA25/KA35 type	30 g × (lengte koelleiding (m) - 7)
	SUZ-KA50/KA60 type	20 g × (lengte koelleiding (m) - 7)
	SUZ-KA71 type	55 g × (lengte koelleiding (m) - 7)

(1) Onderstaande tabel geeft de specificaties voor leidingen die in de handel verkrijgbaar zijn.

Model	Leiding	Buitenste diameter		Minimale muurdikte	Dikte van isolatie	Isolatiemateriaal
		mm	inch			
SUZ-KA25	Voor vloeistof	6,35	1/4	0,8 mm	8 mm	Hittebestendig schuimplastic 0,045 specifieke dichtheid
	Voor gas	9,52	3/8	0,8 mm	8 mm	
SUZ-KA35	Voor vloeistof	6,35	1/4	0,8 mm	8 mm	
	Voor gas	9,52	3/8	0,8 mm	8 mm	
SUZ-KA50	Voor vloeistof	6,35	1/4	0,8 mm	8 mm	
	Voor gas	12,7	1/2	0,8 mm	8 mm	
SUZ-KA60	Voor vloeistof	6,35	1/4	0,8 mm	8 mm	
	Voor gas	15,88	5/8	0,8 mm	8 mm	
SUZ-KA71	Voor vloeistof	9,52	3/8	0,8 mm	8 mm	
	Voor gas	15,88	5/8	1,0 mm	8 mm	

(2) Controleer of de 2 koelleidingen goed geïsoleerd zijn zodat condensvorming wordt voorkomen.

(3) De buigzaamheidsradius van de koelleiding moet 100 mm of meer zijn.

⚠ **Voorzichtig:**

Gebruik isolatie van de juiste dikte. Te dikke isolatie veroorzaakt plaatsgebrek achter de binnenunit en te dunne isolatie kan leiden tot condensvorming.

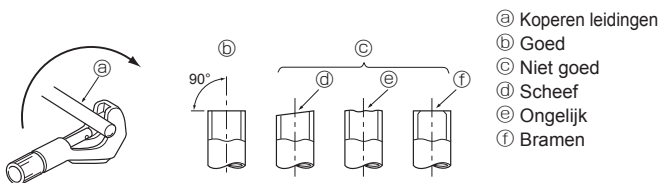


Fig. 5-3

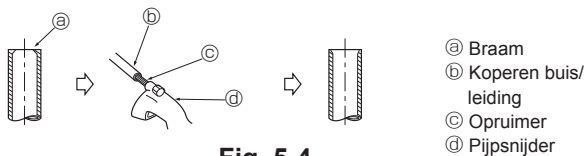


Fig. 5-4



Fig. 5-5

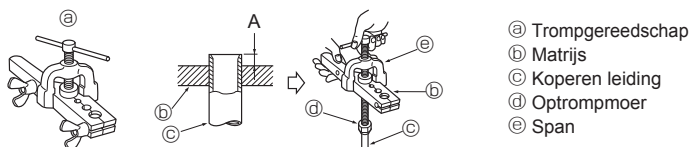


Fig. 5-6

5.2. Optrompen

- De belangrijkste oorzaak van gaslekken is een fout bij het optrompen. Voer het optrompen op de volgende manier correct uit.

5.2.1. Leidingen snijden (Fig. 5-3)

- Snijd de koperen leiding recht af met een pijpsnijder.

5.2.2. Bramen verwijderen (Fig. 5-4)

- Verwijder zorgvuldig alle bramen uit de doorsnede van de buis/leiding.
- Houd het uiteinde van de buis/leiding naar beneden om te voorkomen dat koperijsel in de leiding vallen.

5.2.3. Moeren bevestigen (Fig. 5-5)

- Verwijder de optrompmoeren die aan de binnen- en buitenunit zijn bevestigd en bevestig deze aan de buis/leiding nadat de bramen zijn verwijderd. (Het is niet mogelijk deze na het optrompen te bevestigen.)

5.2.4. Optrompen (Fig. 5-6)

- Gebruik optrompgereedschap voor het optrompen (zie rechts).

Leidingdiameter (mm)	Afmetingen	
	A (mm)	
	Bij het gebruik van het gereedschap voor R410A	
	Type koppeling	B ⁺⁰ _{-0.4} (mm)
6,35	0 - 0,5	9,1
9,52	0 - 0,5	13,2
12,7	0 - 0,5	16,6
15,88	0 - 0,5	19,7

Houd de koperen leiding stevig vast in de matris met de maat uit bovenstaande tabel.

5. Koelleidingwerk

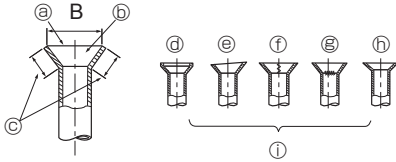


Fig. 5-7

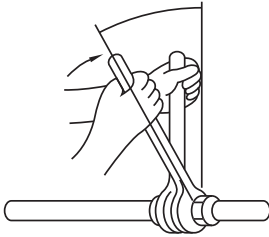


Fig. 5-8

5.2.5. Controleren (Fig. 5-7)

- Vergelijk de opgetrompte leiding met de afbeelding rechts.
- Snijd het opgetrompte stuk af en tromp de leiding opnieuw op wanneer deze ondeugdelijk is opgetrompt.

- Ⓐ Rndom glad
- Ⓑ Binnenkant glimt overal, zonder krassen.
- Ⓒ Rndom even lang
- Ⓓ Te veel
- Ⓔ Scheef
- Ⓕ Kras op het opgetrompte vlak
- Ⓖ Gebarsten
- Ⓗ Ongelijk
- Ⓘ Voorbeelden van ondeugdelijk optrompen

- Breng een dun laagje koelolie aan op het verbindingvlak van de leiding. (Fig. 5-8)
- Voor de aansluiting moet u eerst het midden uitlijnen. Vervolgens draait u de optrompvoer 3 tot 4 slagen aan.
- Gebruik de onderstaande tabel met aandraaimomenten als richtlijn voor het verbindingpunt op de aansluitzijde van de binneneenheid en draai de aansluiting vast met twee sleutels. Wanneer u een optrompvoer te stevig aandraait, kan dit het getrompte deel beschadigen.

Buitendiameter koperen pijp (mm)	Buitendiameter flensmoer (mm)	Aanhaalmoment (N·m)
ø6,35	17	14 - 18
ø9,52	22	34 - 42
ø12,7	26	49 - 61
ø15,88	29	68 - 82

⚠ Waarschuwing:

Als u het apparaat installeert, zet de koelmiddelleidingen dan stevig vast voordat u de compressor start.

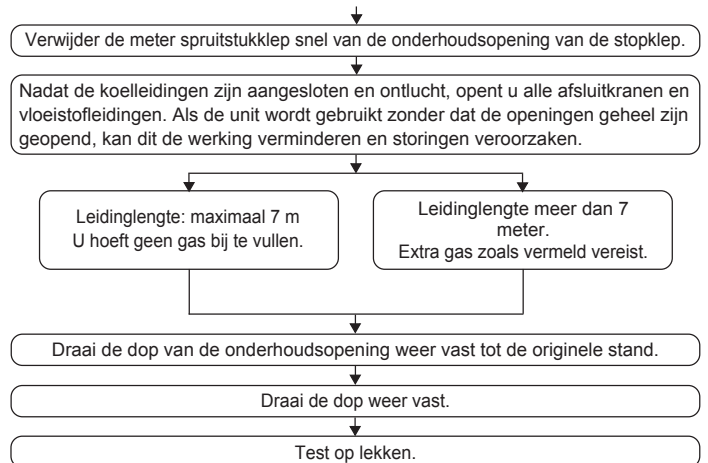
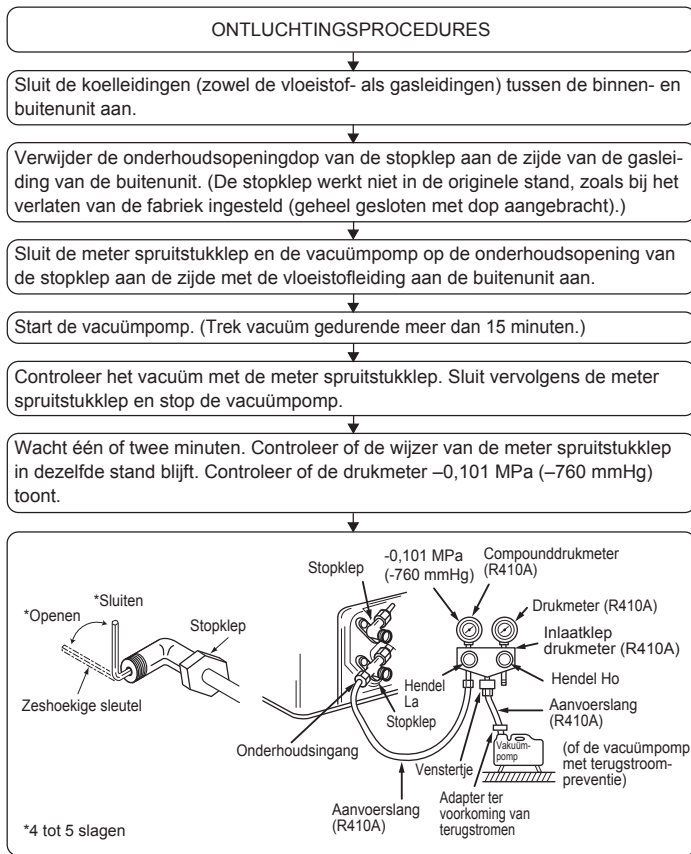
⚠ Waarschuwing:

De optrompvoer kan er afvliegen! (door interne druk)

Verwijder de optrompvoer als volgt:

- Draai de moer los totdat een sissend geluid hoorbaar is.
- Verwijder de moer niet voordat het gas geheel is vrijgekomen (het sissende geluid is gestopt).
- Controleer of het gas geheel is vrijgekomen en verwijder vervolgens de moer.

5.5. Ontluchttingsprocedures en de lektest



6. Elektrische aansluitingen

6.1. Buitenunit (Fig. 6-1, Fig. 6-2, Fig. 6-3, Fig. 6-4)

- ① Verwijder het onderhoudspaneel.
- ② Sluit de kabels aan volgens Fig. 6-1, Fig. 6-2, Fig. 6-3 en Fig. 6-4.

■ SUZ-KA25/35/50VA6

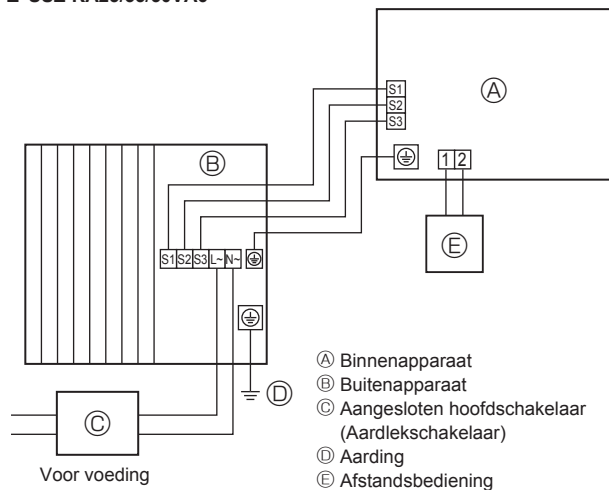
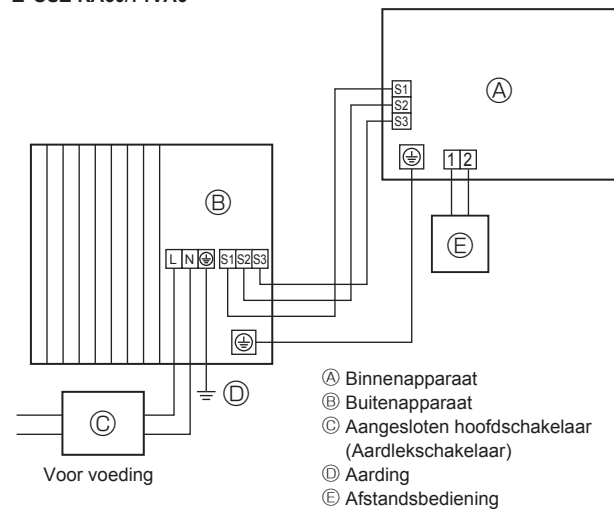


Fig. 6-1

■ SUZ-KA60/71VA6



Binnenunit aansluiting

■ Voor SUZ-KA25/KA35/KA50VA6

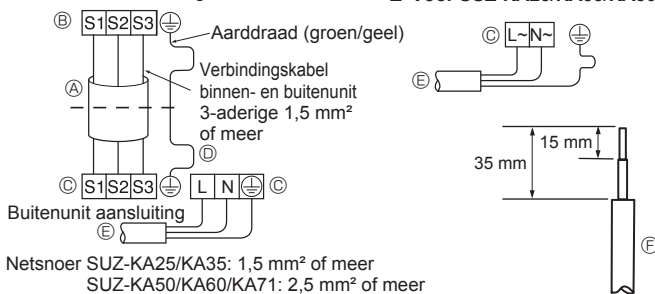


Fig. 6-2

■ SUZ-KA25/35VA6

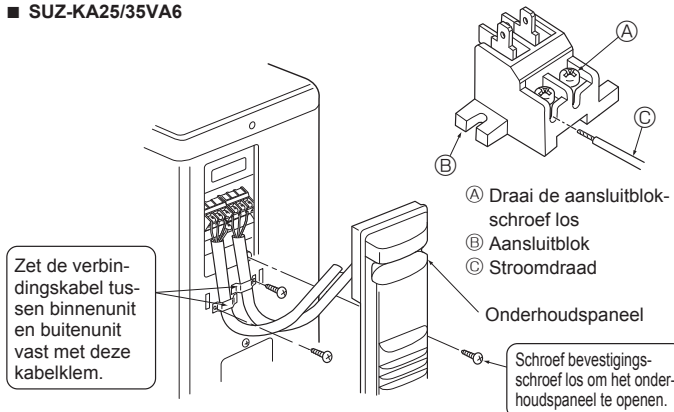


Fig. 6-3

■ SUZ-KA50/60/71VA6

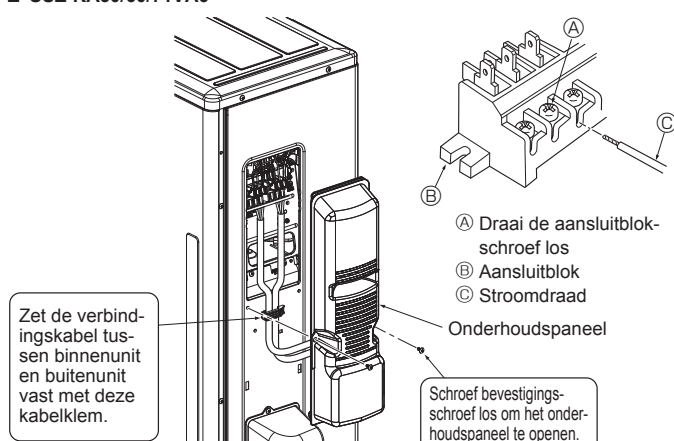


Fig. 6-4

- Leg de bedrading aan zoals aangegeven in het diagram links onderaan. (Schaf de kabel ter plaatse aan) (Fig. 6-2)
- Zorg dat er alleen kabels van de juiste polariteit worden gebruikt.

- A Aansluitkabel
- B Aansluitblok voor binnenunit
- C Aansluitblok voor buitenunit
- D Sluit altijd een aardingsdraad aan die langer is dan de andere kabels.
- E Voedingskabel
- F Stroomdraad

- Maak de aardedraad iets langer dan de andere draden. (langer dan 100 mm)
- Geef de verbindingskabels wat extra lengte voor later onderhoud.
- Zorg ervoor dat u elke schroef op de overeenkomende aansluiting vastdraait wanneer u de kabel en/of de draad op het aansluitblok vastmaakt.

- Sluit de kabel van binnenunit goed aan op het aansluitblok.
- Gebruik hetzelfde aansluitblok en dezelfde polariteit als die van de binnenunit.
- Zorg dat de verbindingskabel wat langer is voor later onderhoud.

- Beide uiteinden van de verbindingskabel (verlengsnoer) moeten worden gestript. Zorg dat de voedingskabel niet zo lang is als aangegeven in de afbeelding door deze tot de juiste lengte te strippen.
- Zorg dat de verbindingskabel niet in contact komt met de leidingen.

⚠ Voorzichtig:

- Zorg dat de kabels goed worden aangesloten.
- Draai de aansluitblokschroeven stevig vast om te voorkomen dat deze los-trillen.
- Trek na het aandraaien van de schroeven zachtjes aan de kabels om zeker te zijn dat deze niet kunnen schuiven.

⚠ Waarschuwing:

- Zorg dat het onderhoudspaneel van de buitenunit stevig is bevestigd. Als dit niet goed is bevestigd, kan dit leiden tot brand of een elektrische schok, veroorzaakt door stof, water enzovoort.
- Draai de aansluitblokschroeven stevig vast.
- Zorg bij het aanleggen van de bedrading dat er geen spanning wordt uitgeoefend op de stroomkabels. Anders kan er hitte worden gegenereerd of brand ontstaan.

6. Elektrische aansluitingen

6.2. Elektrische aansluitingen in het veld

Model buitenunit	SUZ-KA25/KA35	SUZ-KA35 *3	SUZ-KA50/KA60/KA71	
Voeding buitenunit	~N (enkelfasig), 50 Hz, 230 V	~N (enkelfasig), 50 Hz, 230 V	~N (enkelfasig), 50 Hz, 230 V	
Stroomopnamecapaciteit buitenunit				
Hoofdschakelaar (Onderbreker)	*1	10 A	20 A	
Aansluitdraad aantal x diameter (mm ²)	Voeding buitenunit	2 x Min. 1,5	2 x Min. 2,0	2 x Min. 2,5
	Aarde voeding buitenunit	1 x Min. 1,5	1 x Min. 2,0	1 x Min. 2,5
	Binnenunit-Buitenunit	3 x 1,5 (Polair)	3 x 1,5 (Polair)	3 x 1,5 (Polair)
	Aarde binnenunit-Buitenunit	1 x Min. 1,5	1 x Min. 1,5	1 x Min. 1,5
Spanning van het circuit	Buitenunit L-N	*2	230 V AC	230 V AC
	Binnenunit-Buitenunit S1-S2	*2	230 V AC	230 V AC
	Binnenunit-Buitenunit S2-S3	*2	12 V DC – 24 V DC	12 V DC – 24 V DC

*1. Er dient te worden voorzien in een onderbreker met een contactscheiding van minimaal 3 mm. Gebruik een aardlekschakelaar (NV).

Let erop dat de stroomonderbreker geschikt is voor de aanwezigheid van hogere harmonischen.

Gebruik altijd een stroomonderbreker die geschikt is voor de aanwezigheid van hogere harmonischen, aangezien dit apparaat is uitgerust met een omvormer.

Een onjuiste stroomonderbreker kan leiden tot verkeerde werking van de omvormer.

*2. De waarden zijn NIET altijd van toepassing op aarde.

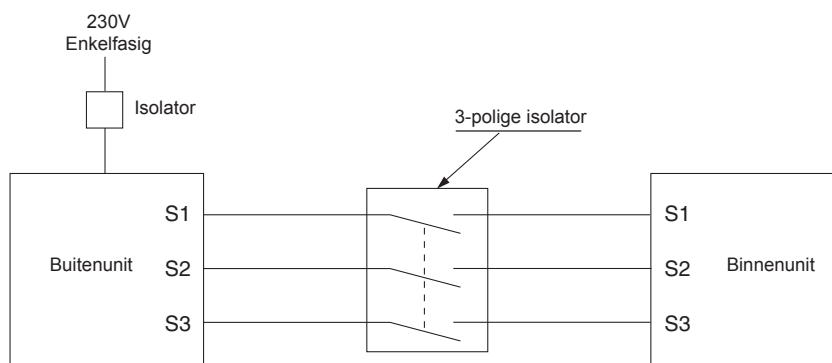
Aansluiting S3 heeft een spanning van 24 V DC ten opzichte van aansluiting S2. S3 en S1 zijn echter NIET door de transformator of anderszins onderling elektrisch gescheiden.

*3. In geval van PEAD-RP35JA-seriekombinatie.

Opmerkingen: 1. De draaddiameter dient overeen te komen met de van toepassing zijnde plaatselijke en nationale richtlijn.

2. De aansluitkabels van de voeding en de binnen-/buitenunits dienen minimaal flexibele polychloropreenkabels te zijn. (Ontwerp 60245 IEC 57)

3. De aardingskabel moet langer zijn dan de andere kabels.



⚠ Waarschuwing:

Door het elektrische ontwerp staat een hoge spanning op aansluitklem S3, waarbij geen elektrische isolatie aanwezig is tussen de voedingsspanning en de communicatie-signaalleidingen. Schakel daarom bij onderhoudswerkzaamheden de voedingsspanning uit. Raak bovendien nooit aansluitklemmen S1, S2 en S3 aan als de spanning is ingeschakeld. Indien u tussen de binnen- en buitenunit een isolator wilt aanbrengen, gebruik dan een 3-polige scheider.

V voorkom rookvorming, brand en communicatiestoringen en slijt derhalve de voedingskabel en de kabel tussen het binnen- en buitenapparaat niet.

7. Onderhoud

7.1. Gas bijvullen (Fig. 7-1)

1. Sluit de gascilinder aan op de dienstopening van de afsluitkraan (3 wegafsluiter).
2. Ontlucht de leiding (of slang) van de gascilinder met koelstof.
3. Vul de aangegeven hoeveelheid koelstof bij terwijl de airconditioner in de koelmodus is ingeschakeld.

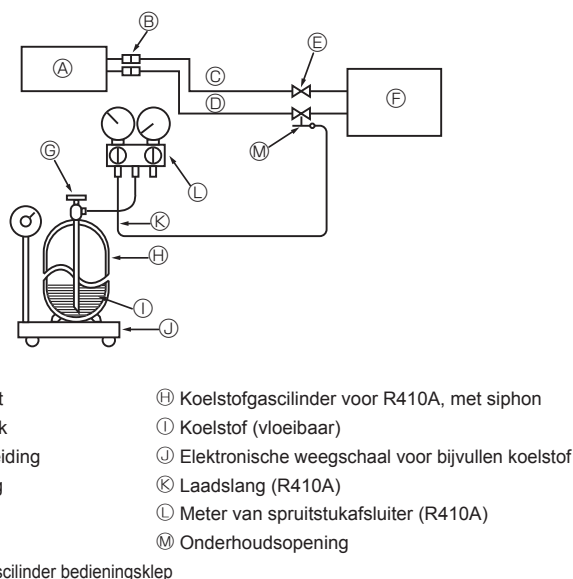
Opmerking:

Wanneer u koelvloeistof bijvult, dient u zich te houden aan de hoeveelheid die voor het specifieke koelcircuit is opgegeven.

⚠ Voorzichtig:

- Laat geen koelgas in de ruimte ontsnappen. Zorg ervoor dat er tijdens installatie, demontage of reparaties aan het koelcircuit geen koelgas in de ruimte ontsnapt.
- Maak voor het bijvullen van koelstof gebruik van een gascilinder met vloeibare koelstof. Indien de koelstof als gas wordt bijgevuld, kan er een wijziging optreden in de samenstelling van de koelstof binnen de cilinder en het buitenapparaat. In dit geval neemt het koelvermogen van het apparaat af of de normale werking wordt onmogelijk. Echter, alle vloeibare koelstof in één keer bijvullen kan ervoor zorgen dat de compressor blokkeert. Vul de koelstof daarom langzaam bij.

Voor het behouden van een hoge druk van de cilinders, dient u deze bij koude omstandigheden met warm water (onder 40°C) te verwarmen. Gebruik echter nooit vuur of stoom.



- | | |
|--------------------------------------|--|
| Ⓐ Binnenunit | Ⓗ Koelstofgascilinder voor R410A, met siphon |
| Ⓑ Koppelstuk | Ⓘ Koelstof (vloeibaar) |
| Ⓒ Vloeistofleiding | Ⓝ Elektronische weegschaal voor bijvullen koelstof |
| Ⓓ Gasleiding | Ⓚ Laadslang (R410A) |
| Ⓔ Stopklep | Ⓛ Meter van spuitstukaafsluiter (R410A) |
| Ⓕ Buitenunit | Ⓜ Onderhoudsopening |
| Ⓖ Koelstofgascilinder bedieningsklep | |

Fig. 7-1

8. Leegpompen

Bij verplaatsen of verwijderen van de airconditioner dient het systeem volgens de onderstaande procedure te worden leeggepompt, zodat geen koelmiddel in de atmosfeer terecht kan komen.

- ① Schakel de voedingsspanning (stroomonderbreker) uit.
- ② Sluit het meetverdeelstuk aan op de onderhoudsopening van de afsluitkraan in de gasleiding aan de buitenunit.
- ③ Draai de afsluitkraan in de vloeistofleiding aan de buitenunit volledig dicht.
- ④ Schakel de voedingsspanning in (stroomonderbreker).
- ⑤ Vang het koelmiddel op (proefdraaien met koeling).
 - In geval van de PAR-31MAA selecteert u in het hoofdmenu "Service" → "Test-Run" om het proefdraaien te starten en selecteert u vervolgens de koelmodus.
 - Raadpleeg de gedeelten over de binnenunit of de afstandsbediening in de installatiehandleiding voor gedetailleerde informatie of voor informatie over het starten van een proefdraaiing als u een afstandsbediening gebruikt.
- ⑥ Draai de afsluitkraan in de gasleiding aan de buitenunit volledig dicht zodra de manometer 0,05 tot 0 MPa [Meter] aangeeft (ongeveer 0,5 tot 0 kgf/cm²) en stop de airconditioner snel.
 - Druk op de knop "ON/OFF" op de afstandsbediening om de airconditioner te stoppen.
 - * Houd er rekening mee dat leegpompen misschien niet kan als de verlengstukken erg lang zijn en er grote hoeveelheden koelmiddel in de verlengstukken zit. Gebruik in dit geval onderdelen voor koelmiddelrecuperatie om al het koelmiddel uit het systeem te verzamelen.

- ⑦ Schakel de voedingsspanning (stroomonderbreker) uit, verwijder het meterverdeelstuk en koppel vervolgens de koelmiddeleidingen los.

⚠ Waarschuwing:

Als u het koelmiddel uit het apparaat pompt, schakel de compressor dan uit voordat u de koelmiddeleidingen loskoppelt.

- **Als u de koelmiddeleidingen loskoppelt terwijl de compressor werkt en de afsluitkraan (kogelklep) geopend is, kan de druk in het koelmiddelcircuit extreem hoog worden als er lucht wordt aangezogen, waardoor de leidingen kunnen barsten, mensen gewond kunnen raken, enz.**

9. Specificaties

Buitenunit		SUZ-KA25VA6.TH	SUZ-KA35VA6.TH	SUZ-KA50VA6.TH	SUZ-KA60VA6.TH	SUZ-KA71VA6.TH
Voedingsspanning		Eenfasig 230 V, 50 Hz				
Afmetingen B × H × D		800 × 550 × 285		840 × 880 × 330		
Gewicht		30	35	54	50	53
Geluidsniveau *1	Koelen	47	49	52	55	
	Verwarmen	48	50	52	55	

*1 Gemeten bij nominale werksfrequentie.

Contenido

1. Por razones de seguridad, deberá observarse siempre lo siguiente	30	6. Trabajo eléctrico	34
2. Selección del lugar de instalación	30	7. Mantenimiento	35
3. Diagrama de instalación	31	8. Bombeo de vaciado	36
4. Tubería de drenaje de la unidad exterior	31	9. Características	36
5. Colocación de los tubos de refrigerante	32		

1. Por razones de seguridad, deberá observarse siempre lo siguiente

- Proporcione un circuito exclusivo para el acondicionador de aire y no conecte otros dispositivos eléctricos a este circuito.
- Antes de instalar la unidad de aire acondicionado, asegúrese de leer "Observe siempre las siguientes medidas de seguridad".
- Asegúrese de observar las precauciones aquí especificadas, dado que incluyen elementos importantes en relación a la seguridad.
- Las indicaciones y su significado son los siguientes:

⚠ Atención:

Podría producir la muerte, serios daños, etc.

⚠ Atención:

- No lo instale usted mismo (cliente). Una instalación incompleta podría producir daños a causa de un incendio, un electrochoque, un fallo de la unidad o una pérdida de agua. Realice las consultas necesarias al vendedor a quien le haya adquirido la unidad o a un instalador especializado.
- Este equipo se ha diseñado para ser utilizado por usuarios expertos o cualificados en comercios, industrias ligeras y granjas, o para su uso comercial por personas no expertas.
- Instale la unidad de forma segura en un lugar que pueda soportar el peso de la misma. Si se instala en un lugar que no sea lo suficientemente seguro, la unidad podría caer, causando daños.
- Utilice los cables especificados para conectar las unidades interior y exterior de forma segura y fije firmemente los cables en el tablero de terminales, conectando las secciones de forma que la tensión de los cables no se aplique a las mismas. Una conexión e instalación incompletas podrían producir un incendio.
- No utilice conexión intermedia del cable de alimentación o del cable alargador y no conecte demasiados aparatos a una sola toma de corriente. Podría producir un incendio o un electrochoque a causa de un aislamiento defectuoso, exceso de la corriente permitida, etc.
- Una vez completada la instalación, compruebe que no haya fugas de gas refrigerante.
- Realice la instalación de forma segura remitiéndose al manual de instalación. Una instalación incompleta podría producir daños personales provocados por un incendio, un electrochoque, la caída de la unidad o una pérdida de agua.
- Utilice solo cables especificados para el cableado. Las conexiones del cableado se deben realizar con seguridad sin que se ejerza tensión en las conexiones de los terminales. Asimismo, no empalme nunca los cables al realizar el cableado (a menos que se indique lo contrario en este documento). El hecho de no seguir estas instrucciones puede provocar un sobrecalentamiento o un incendio.

⚠ Cuidado:

- Realice la toma de tierra. No conecte el conductor de tierra a un tubo de gas, un protector del tubo de agua o un conductor de tierra telefónico. Una toma de tierra defectuosa podría producir un electrochoque.
- No instale la unidad en un lugar donde haya fugas de gas inflamable. Si hay fugas de gas y se acumulan en el área circundante a la unidad, podría producirse una explosión.
- Instale un interruptor de pérdida a tierra si el lugar de instalación lo requiere (si hay humedad). Si no instala un interruptor de pérdida a tierra, podría producirse un electrochoque.

2. Selección del lugar de instalación

2.1. Unidad exterior

- Donde no esté expuesta a un viento fuerte.
- Donde haya un buen flujo de aire sin polvo.
- Donde no esté expuesta a la lluvia ni a la luz solar directa.
- Donde el ruido o el aire caliente causados por el funcionamiento no moleste a los vecinos.
- Donde haya una pared o un punto de apoyo firme para evitar un mayor ruido o vibración durante el funcionamiento.
- Donde no existan riesgo de fugas de gas combustible.
- Si se instala la unidad en alto, asegúrese de fijar las patas de la unidad.
- Donde esté a una distancia mínima de 3 m de cualquier antena de televisión o radio. (Ya que puede provocar interferencias en las imágenes o ruidos.)
- Instálelo en un área donde no sufra el efecto provocado por una nevada, viento y nieve. En zonas de intensa nieve, le rogamos que instale un toldo, pedestal y/o algunas pantallas acústicas planas.
- Instale la unidad horizontalmente.

⚠ Cuidado:

Podría producir serios daños en entornos concretos si se opera incorrectamente.

- Tras la lectura de este manual, asegúrese de guardarlo junto al manual de instrucciones en un lugar accesible de las instalaciones del cliente.



: Indica una pieza que debe estar conectada a tierra.

⚠ Atención:

Lea atentamente las etiquetas adheridas a la unidad principal.

- Realice la instalación eléctrica siguiendo las instrucciones del manual de instalación y asegúrese de utilizar un circuito exclusivo. Si la capacidad del circuito de alimentación fuera insuficiente o la instalación eléctrica estuviera incompleta, podría producirse un incendio o un electrochoque.
- Fije de forma segura la cubierta de la parte eléctrica a la unidad interior y el panel de servicio a la unidad exterior. Si la cubierta de la parte eléctrica de la unidad interior y/o el panel de servicio de la unidad exterior no están fijados de forma segura, podría producirse un incendio o un electrochoque a causa del polvo, el agua, etc.
- En el trabajo de instalación, asegúrese de utilizar las piezas especificadas. El uso de piezas defectuosas podría producir un accidente o una vía de agua a causa de un incendio, un electrochoque, la caída de la unidad, etc.
- Si el refrigerante gotea durante el uso, ventile la habitación. Si el refrigerante entra en contacto con una llama, se producirán gases tóxicos.
- Al bombear el refrigerante, detenga el compresor antes de desconectar las tuberías de refrigerante. El compresor podría explotar si entra aire, etc. en su interior.
- Cuando instale, mueva o revise el equipo de aire acondicionado, utilice solo el refrigerante indicado (R410A) para cargar los tubos del refrigerante. No lo mezcle con otro tipo de refrigerante y vacíe completamente de aire los tubos. Si el aire se mezcla con el refrigerante, podría producir una tensión anormalmente alta en el tubo del refrigerante y ocasionar una explosión u otros peligros. Usar un refrigerante distinto al indicado para el sistema provocará un fallo mecánico, un funcionamiento defectuoso del sistema o la avería de la unidad. En el peor de los casos, podría suponer un grave impedimento para garantizar la seguridad del producto.

- Realice el trabajo de drenaje/canalización de forma segura de acuerdo al manual de instrucciones. Si el trabajo de drenaje/canalización es defectuoso, desde la unidad podría gotear agua, humedeciendo y dañando los artículos domésticos.
- Apriete la tuerca de mariposa mediante una llave dinamométrica tal y como se especifica en el presente manual. Si la aprieta demasiado, la tuerca podría romperse transcurrido un tiempo causando pérdidas de refrigerante.

⚠ Cuidado:

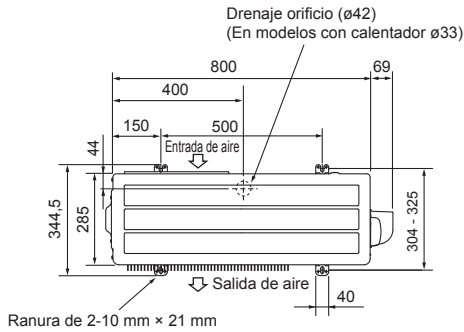
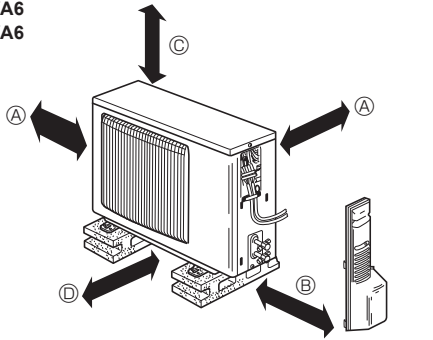
Para instalar el aire acondicionado evite los lugares siguientes donde es más probable que ocurran problemas.

- Donde haya demasiado aceite para maquinaria.
- Ambientes salobres como las zonas costeras.
- Zonas de baños termales.
- Donde haya gas sulfúrico.
- Otras zonas con características atmosféricas especiales.

La unidad exterior provoca condensación durante la función de calefacción. Seleccione un lugar para la instalación en el que la unidad exterior y las tomas de tierra no se humedezcan con agua de drenaje ni se dañen debido a la congelación de este agua de drenaje.

3. Diagrama de instalación

■ SUZ-KA25VA6 SUZ-KA35VA6



■ SUZ-KA50VA6 SUZ-KA60VA6 SUZ-KA71VA6

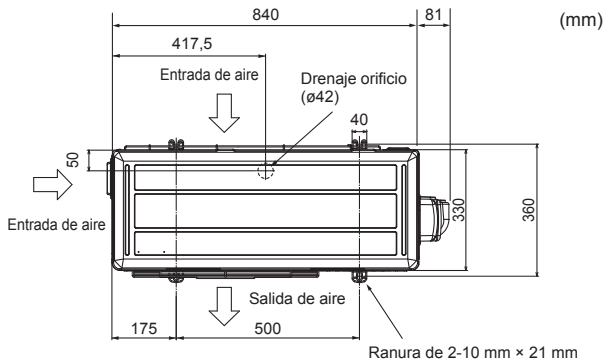
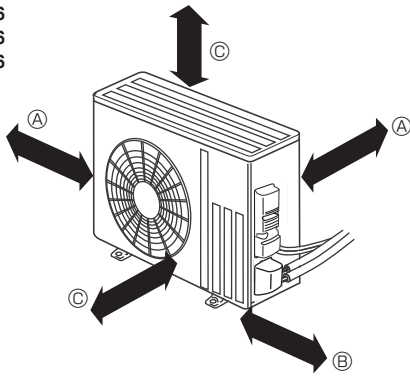


Fig. 3-1

3.1. Unidad exterior (Fig. 3-1)

Ventilación y espacio de servicio

■ SUZ-KA25VA6 SUZ-KA35VA6

- Ⓐ 100 mm o más
- Ⓑ 350 mm o más
- Ⓒ Se abre básicamente 100 mm o más sin ninguna obstrucción en la parte delantera y en ambos lados de la unidad.
- Ⓓ 200 mm o más (Abra dos lados a la izquierda, derecha, o detrás.)

■ SUZ-KA50VA6 SUZ-KA60VA6 SUZ-KA71VA6

- Ⓐ 100 mm o más
- Ⓑ 350 mm o más
- Ⓒ 500 mm o más

(mm) Cuando tenga que instalar la tubería en una pared que contenga metales (no metalizada) o una malla metálica, coloque una pieza de madera tratada químicamente de 20 mm o más de grosor entre la pared y la tubería o proteja a ésta última con 7 u 8 vueltas de cinta de vinilo aislante.

Las unidades deberán ser instaladas por una persona titulada, de acuerdo a las normas locales.

Nota:

Si utiliza el acondicionador de aire cuando la temperatura exterior es baja, observe las instrucciones siguientes.

- No instale nunca la unidad exterior en un lugar en el que el lado de la entrada/salida de aire quede expuesto directamente al viento.
- Para evitar la exposición al viento, instale la unidad exterior con el lado de la entrada de aire hacia la pared.
- Para evitar la exposición al viento, se recomienda instalar una placa deflectora en el lado de salida de aire de la unidad exterior.

4. Tubería de drenaje de la unidad exterior (Fig. 4-1)

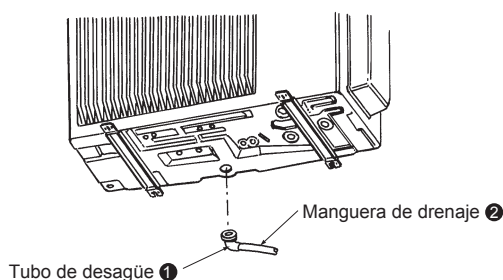


Fig. 4-1

4.1. Accesorios

Antes de la instalación, compruebe que tiene las siguientes piezas.

<Unidad exterior>

①	Tubo de desagüe	1
---	-----------------	---

- Disponga los tubos de desagüe antes de proceder a la conexión de los tubos interiores y exteriores. (Resultará difícil instalar el tubo de desagüe ① si se realiza la conexión de los tubos interiores y exteriores antes que los tubos de desagüe, dado que la unidad exterior no se podrá mover).
- Conecte la manguera de drenaje ② (se puede obtener en una tienda, diámetro interior: 15 mm) como se muestra en la ilustración.
- El tubo de desagüe debe tener una pendiente descendente para facilitar el flujo.

Nota:

No utilice el tubo de desagüe ① en regiones frías. El desagüe se puede congelar y provocar la parada del ventilador.

5. Colocación de los tubos de refrigerante

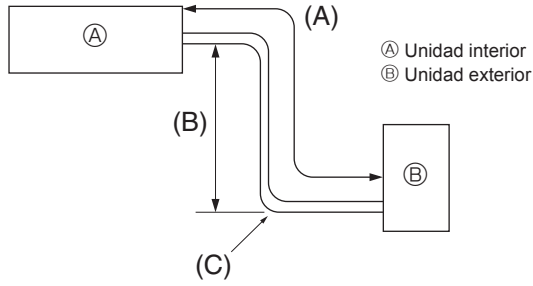


Fig. 5-1

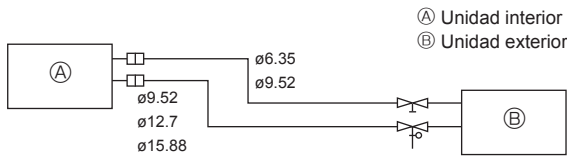


Fig. 5-2

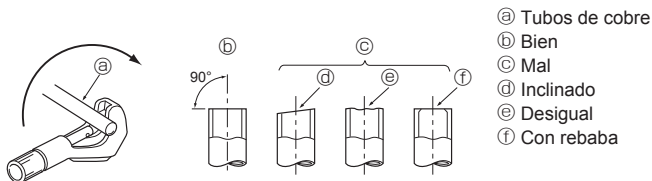


Fig. 5-3

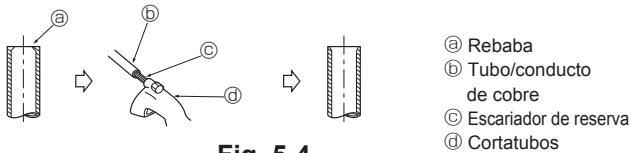


Fig. 5-4



Fig. 5-5

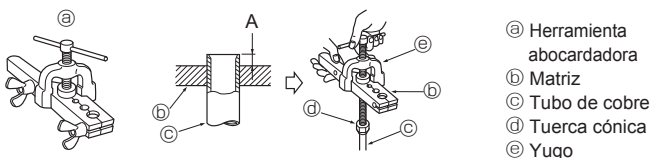


Fig. 5-6

5.1. Tubería de refrigerante (Fig. 5-1)

► Compruebe que la diferencia de altura entre las unidades interior y exterior, la longitud del tubo de refrigerante y la cantidad de codos en la tubería se encuentren dentro de los límites que se indican a continuación.

Modelos	(A) Longitud de las tuberías (un sentido)	(B) Diferencia de altura	(C) Número de codos (un sentido)
SUZ-KA25/KA35	Máx. 20 m	Máx. 12 m	Máx. de 10
SUZ-KA50/KA60/KA71	Máx. 30 m	Máx. 30 m	Máx. de 10

- Las limitaciones de diferencia de altura son obligatorias sin importar qué unidad, la interior o la exterior, está colocada más alta.
- Ajuste de refrigerante... Si la longitud de la tubería es superior a 7 m. será necesario emplear más refrigerante (R410A)
(La carga de refrigerante de la unidad exterior está calculada para una longitud máxima de tubería de 7 m.)

Longitud de tubería	Hasta 7 m	No se necesita más carga.	
	Más de 7 m	Se necesita más carga. (Consulte la tabla de abajo.)	
Cantidad de refrigerante a añadir	SUZ-KA25/KA35 tipo	30 g × (Longitud de tubería de refrigerante (m) -7)	
	SUZ-KA50/KA60 tipo	20 g × (Longitud de tubería de refrigerante (m) -7)	
	SUZ-KA71 tipo	55 g × (Longitud de tubería de refrigerante (m) -7)	

(1) La tabla siguiente muestra las especificaciones de los tubos comercialmente disponibles.

Modelo	Tubo	Diámetro exterior		Grosor mínimo de la pared	Grosor de aislamiento	Material de aislamiento
		mm	pulg.			
SUZ-KA25	Para líquido	6,35	1/4	0,8 mm	8 mm	Plástico celular resistente al calor con una gravedad específica de 0,045
	Para gas	9,52	3/8	0,8 mm	8 mm	
SUZ-KA35	Para líquido	6,35	1/4	0,8 mm	8 mm	
	Para gas	9,52	3/8	0,8 mm	8 mm	
SUZ-KA50	Para líquido	6,35	1/4	0,8 mm	8 mm	
	Para gas	12,7	1/2	0,8 mm	8 mm	
SUZ-KA60	Para líquido	6,35	1/4	0,8 mm	8 mm	
	Para gas	15,88	5/8	0,8 mm	8 mm	
SUZ-KA71	Para líquido	9,52	3/8	0,8 mm	8 mm	
	Para gas	15,88	5/8	1,0 mm	8 mm	

(2) Asegúrese de que los dos tubos de refrigerante estén bien aislados para evitar la condensación.

(3) El radio de flexión del tubo de refrigerante debe ser de 100 mm o más.

⚠ **Cuidado:**

Asegúrese de utilizar el aislamiento del grosor especificado. Un grosor excesivo impide el almacenamiento detrás de la unidad interior y un menor grosor produce un goteo por condensación.

5.2. Trabajo de abocardamiento

- La causa principal de las fugas de gas es un trabajo de abocardamiento defectuoso. Lleve a cabo el trabajo de abocardamiento según el procedimiento siguiente.

5.2.1. Corte del tubo (Fig. 5-3)

- Utilizando un cortatubos, corte correctamente el tubo de cobre.

5.2.2. Extracción de las rebabas (Fig. 5-4)

- Extraiga completamente todas las rebabas de la sección de corte transversal del tubo/conducto.
- Mientras extrae las rebabas, ponga el extremo del tubo/conducto de cobre en dirección descendente para evitar que éstas penetren en el mismo.

5.2.3. Colocación de las tuercas (Fig. 5-5)

- Extraiga las tuercas cónicas fijadas en las unidades interior y exterior y, a continuación, póngalas en el tubo/conducto una vez finalizada la extracción de las rebabas. (no es posible ponerlas tras el trabajo de abocardamiento)

5.2.4. Trabajo de abocardamiento (Fig. 5-6)

- Realice el trabajo de abocardamiento utilizando una herramienta abocardadora tal como se muestra a la derecha.

Diámetro del tubo (mm)	Dimensiones	
	A (mm)	B ⁺⁰ _{-0,4} (mm)
	Quando se utiliza la herramienta para R410A Tipo embrague	
6,35	0 - 0,5	9,1
9,52	0 - 0,5	13,2
12,7	0 - 0,5	16,6
15,88	0 - 0,5	19,7

Sujete firmemente el tubo de cobre con una matriz según las dimensiones indicadas en la tabla anterior.

5. Colocación de los tubos de refrigerante

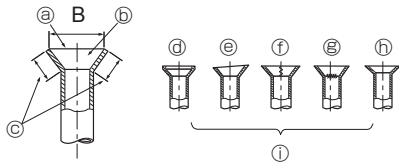


Fig. 5-7

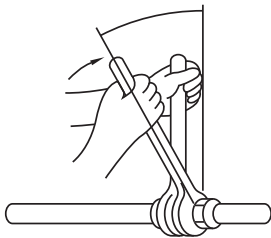


Fig. 5-8

5.2.5. Comprobación (Fig. 5-7)

- Compare el trabajo de abocinamiento con una de las imágenes que se muestran a la derecha.
- Si observa que es defectuoso, corte la sección abocinada y realice de nuevo el trabajo de abocinamiento.

- Ⓐ Completamente uniforme
- ⓑ El interior es pulido sin ninguna estría
- ⓒ Nivelado en toda su longitud
- ⓓ Demasiado
- ⓔ Inclinado
- ⓕ Estrías en la superficie abocinada
- ⓖ Agrietado
- ⓗ Desigual
- ⓓ Malos ejemplos

- Aplique una capa fina de aceite refrigerante en la superficie de asiento de la tubería. (Fig. 5-8)
- Para hacer la conexión, alinee primero el centro y luego dele a la tuerca abocinada las primeras 3 o 4 vueltas.
- Utilice la siguiente tabla de pares de torsión como guía para la sección de unión lateral de la unidad interior y apriete empleando dos llaves. Procure no apretar demasiado, ya que podría deteriorar la sección abocinada.

Tubo de cobre D.E. (mm)	Tuerca de abocardado (mm)	Torsión de apriete (N·m)
ø6,35	17	14 - 18
ø9,52	22	34 - 42
ø12,7	26	49 - 61
ø15,88	29	68 - 82

⚠ Atención:

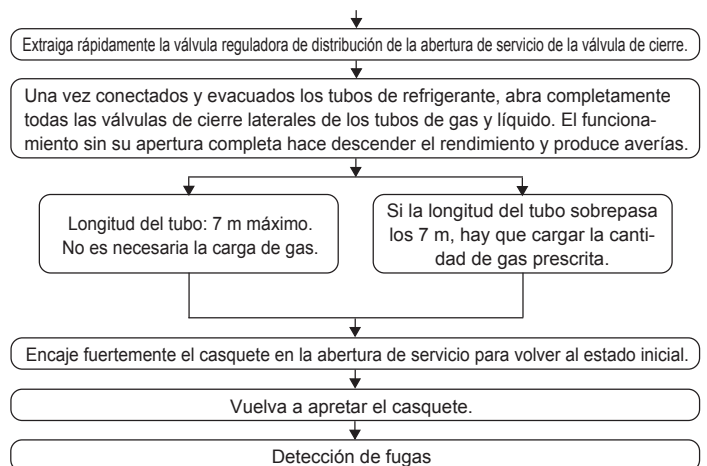
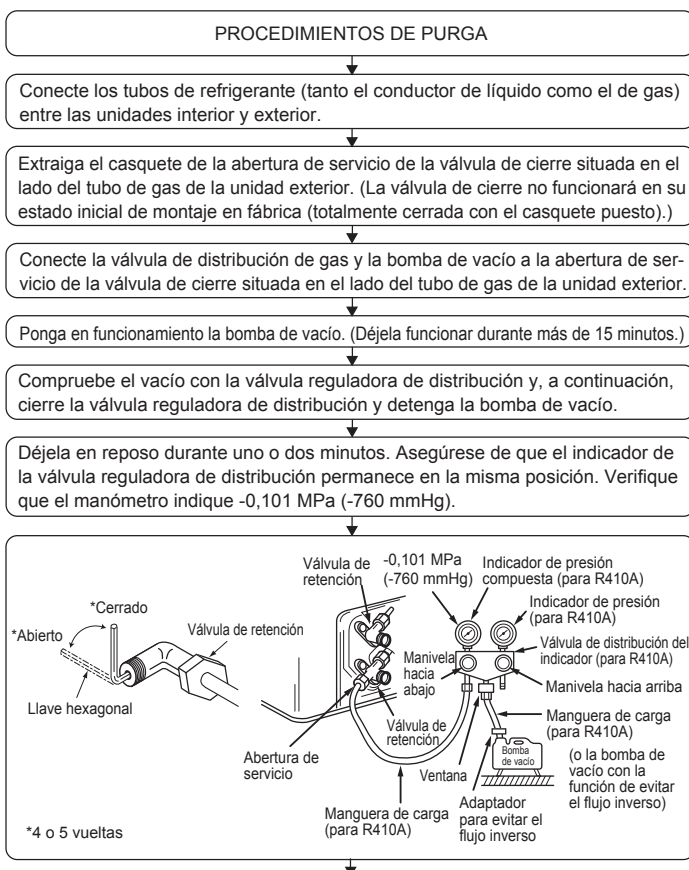
Al instalar la unidad, conecte las tuberías de refrigerante de forma fija antes de poner en marcha el compresor.

⚠ Atención:

Tenga cuidado de no soltar la tuerca de abocardado. (Presurización interna) Extraiga la tuerca de abocardado tal y como se indica:

1. Afloje la tuerca hasta que escuche un silbido.
2. No extraiga la tuerca hasta que se haya liberado completamente el gas (es decir, hasta que se detenga el silbido).
3. Compruebe que se haya liberado completamente el gas y extraiga la tuerca.

5.5. Detección de fugas en el procedimiento de purga



6. Trabajo eléctrico

6.1. Unidad exterior (Fig. 6-1, Fig. 6-2, Fig. 6-3, Fig. 6-4)

- ① Retire el panel de servicio.
- ② Conecte los cables de acuerdo con la Fig 6-1, Fig 6-2, Fig 6-3 y la Fig 6-4.

■ SUZ-KA25/35/50VA6

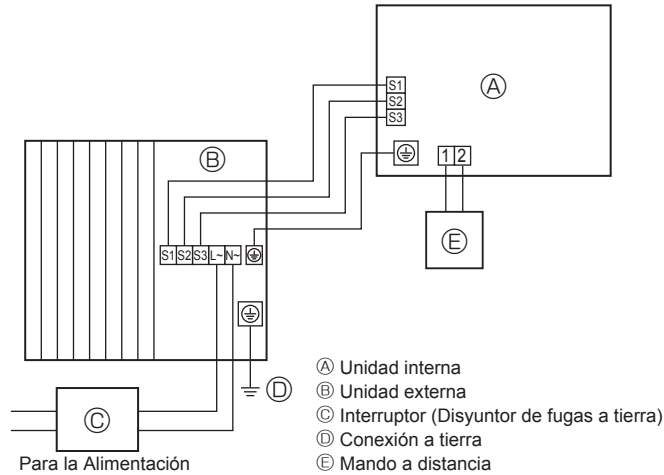
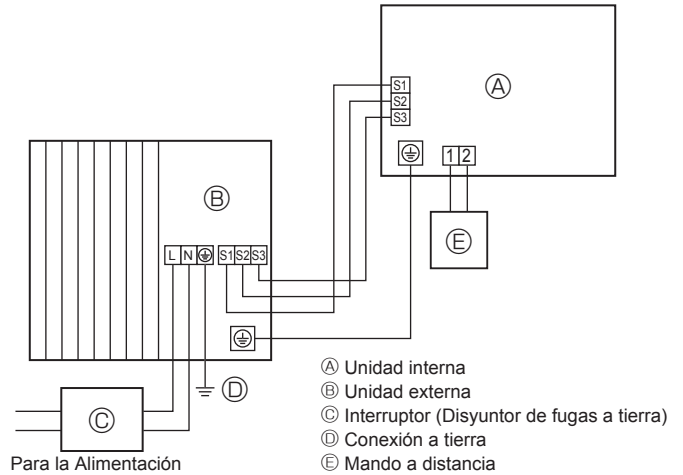


Fig. 6-1

■ SUZ-KA60/71VA6



Panel de terminales interior

■ Para SUZ-KA25/KA35/KA50VA6

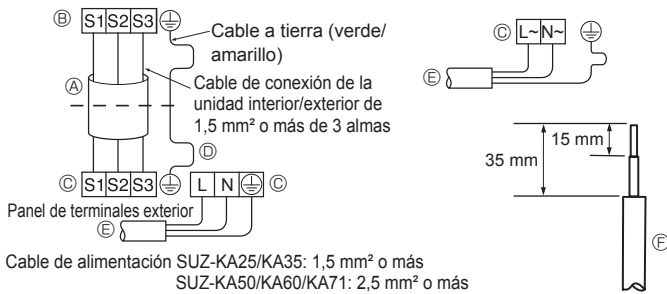


Fig. 6-2

- Realice el tendido eléctrico como muestra el diagrama inferior izquierdo (los cables no vienen incluidos). (Fig. 6-2)
- Asegúrese de emplear únicamente cables que tengan la polaridad correcta.
 - Ⓐ Cable de conexión
 - Ⓑ Panel de terminales interior
 - Ⓒ Panel de terminales exterior
 - Ⓓ Instale siempre un cable de tierra más largo que el resto de cables.
 - Ⓔ Cable de alimentación
 - Ⓕ Cable conductor

- El cable de tierra tiene que ser un poco más largo que los otros (más de 100 mm).
- Con vistas a un futuro mantenimiento, prolongue los cables de conexión.
- Asegúrese de conectar cada tornillo con su terminal correspondiente cuando fije los cables al panel de terminales

■ SUZ-KA25/35VA6

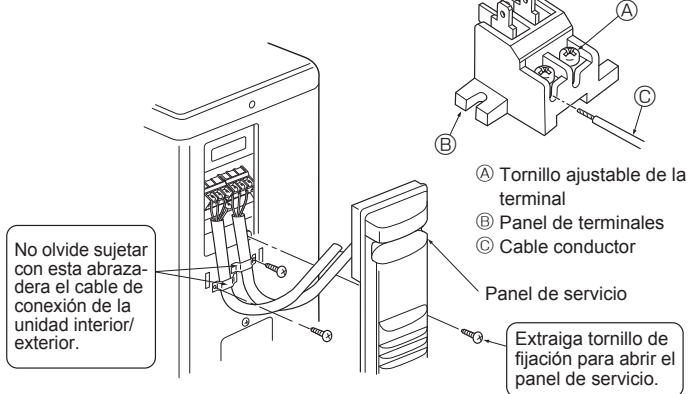


Fig. 6-3

■ SUZ-KA50/60/71VA6

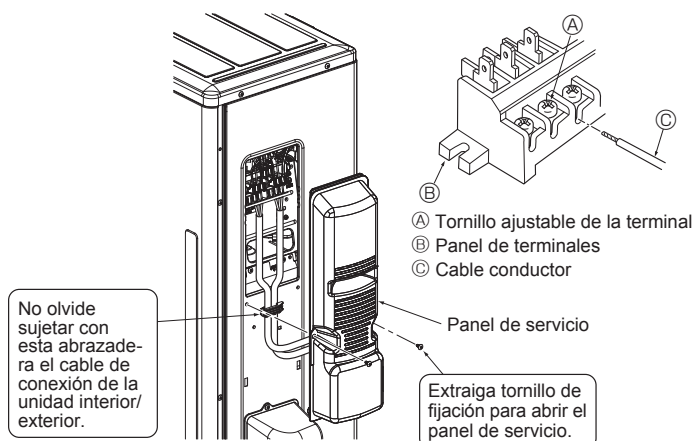


Fig. 6-4

- Conecte correctamente el cable de la unidad interior al bloque del terminal.
- Utilice el mismo bloque de terminal y la misma polaridad empleada en la unidad interior.
- Para el mantenimiento posterior, dele una longitud adicional al cable de conexión.

- Ambos extremos del cable de conexión (cordón de extensión) están pelados. Cuando sea demasiado largo o se conecte mediante un corte por la mitad, pele el cable de la fuente de alimentación según las medidas que aparecen en la figura.
- Tenga cuidado de que el cable de conexión no haga contacto con los tubos.

⚠ Cuidado:

- Asegúrese de no realizar un mal cableado.
- Apriete firmemente los tornillos de la terminal para evitar que se aflojen.
- Tras apretarlos, tire ligeramente de los cables para confirmar que no se muevan.

⚠ Atención:

- Asegúrese de fijar firmemente el panel de servicio de la unidad exterior. Si no se monta correctamente, podría producirse un incendio o un electrochoque a causa del polvo, el agua, etc.
- Apriete firmemente los tornillos de cada terminal.
- Realice el cableado de modo que los cables de alimentación no estén en tensión, ya que se podría recalentar o causar un incendio.

6. Trabajo eléctrico

6.2. Cableado eléctrico de campo

Modelo de unidad exterior	SUZ-KA25/KA35	SUZ-KA35 *3	SUZ-KA50/KA60/KA71	
Alimentación de la unidad exterior	~N (simple), 50 Hz, 230 V	~N (simple), 50 Hz, 230 V	~N (simple), 50 Hz, 230 V	
Capacidad de entrada de la unidad exterior	*1	10 A	16 A	
Interruptor principal (Fusible)		10 A	20 A	
Cable de Cableado N.º x tamaño (mm²)	Alimentación de la unidad exterior	2 x Mín. 1,5	2 x Mín. 2,0	2 x Mín. 2,5
	Tierra de alimentación de la unidad exterior	1 x Mín. 1,5	1 x Mín. 2,0	1 x Mín. 2,5
	Unidad interior-Unidad exterior	3 x 1,5 (Polar)	3 x 1,5 (Polar)	3 x 1,5 (Polar)
	Unidad interior- Tierra de unidad exterior	1 x Mín. 1,5	1 x Mín. 1,5	1 x Mín. 1,5
Datos en circuito	Unidad exterior L-N	*2	230 VCA	230 VCA
	Unidad interior-Unidad exterior S1-S2	*2	230 VCA	230 VCA
	Unidad interior-Unidad exterior S2-S3	*2	12 VCC – 24 VCC	12 VCC – 24 VCC

*1. Se debe disponer de un disyuntor con al menos 3 mm de separación de contacto en cada polo. Utilice un interruptor de toma de tierra (NV).

Asegúrese de que el disyuntor de corriente es compatible con corrientes armónicas más altas.

Utilice siempre un disyuntor de corriente compatible con corrientes armónicas más altas ya que esta unidad está equipada con un conmutador.

El uso de un disyuntor inadecuado puede hacer que el conmutador no funcione correctamente.

*2. Las figuras NO siempre presentan toma de tierra.

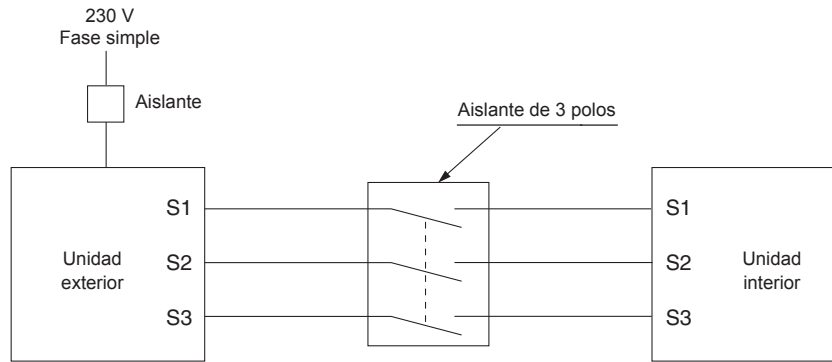
El terminal S3 tiene 24 VCC contra el terminal S2. Sin embargo, entre S3 y S1, estos terminales NO están aislados eléctricamente por el transformador u otro dispositivo.

*3. En caso de combinación dentro de la serie PEAD-RP35JA.

Notas: 1. El tamaño de cableado debe cumplir la normativa local y nacional.

2. Los cables de alimentación y los cables de conexión de la unidad interior/externa no deben ser más ligeros que cables flexibles revestidos de policloropreno. (Diseño 60245 IEC 57)

3. Instale un cable de tierra más largo que el resto de cables.

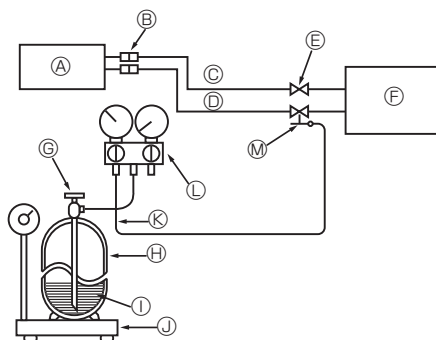


⚠ Atención:

El terminal S3 presenta un potencial de alto voltaje provocado por el diseño del circuito eléctrico que no presenta aislamiento eléctrico entre la línea de alimentación y la línea de señal de comunicación. Así pues, desconecte la alimentación principal cuando realice el servicio. Y no toque los terminales S1, S2, S3 cuando reciban alimentación. Si es necesario utilizar un aislante entre la unidad interior y la unidad exterior, utilícelo de 3 polos.

No empalme nunca el cable de corriente o el cable de la conexión interior-externa, de lo contrario se podrían provocar humo, un incendio o un fallo en la comunicación.

7. Mantenimiento



- (A) Unidad interior
- (B) Unión
- (C) Tubería de líquido
- (D) Tubería de gas
- (E) Válvula de retención
- (F) Unidad exterior
- (G) Válvula de accionamiento del cilindro de gas refrigerante
- (H) Cilindro de gas refrigerante del R410A con sifón
- (I) Refrigerante (líquido)
- (J) Balanza electrónica para la carga de refrigerante
- (K) Manguera de carga (para R410A)
- (L) Válvula múltiple del manómetro (para R410A)
- (M) Abertura de servicio

Fig. 7-1

7.1. Carga de gas (Fig. 7-1)

1. Conecte el cilindro de gas a la abertura de servicio de la válvula de parada (de 3 vías).
2. Purgue el aire del tubo (o conducto) procedente del cilindro de gas refrigerante.
3. Vuelva a llenar la cantidad de refrigerante especificada mientras la unidad de aire acondicionado esté funcionando en modo de refrigeración.

Nota:

Si añade refrigerante, no sobrepase la cantidad especificada para el ciclo de refrigeración.

⚠ Cuidado:

- No descargue el refrigerante en el ambiente. Tenga cuidado en no descargar el refrigerante en el ambiente durante la instalación, reinstalación o reparaciones en el circuito refrigerante.
- Para añadir más refrigerante, utilice un cilindro de gas a presión y cargue el refrigerante en estado líquido. Recuerde que si carga el refrigerante en estado gaseoso, su composición puede alterarse en el interior del cilindro y en la unidad exterior. Si esto ocurriera, la capacidad del ciclo de refrigeración disminuiría e incluso podría ser que el aparato no funcionase. Cargue el líquido refrigerante poco a poco, porque si lo carga de una sola vez puede bloquear el compresor.

Para mantener alta la presión del cilindro de gas, caliente el cilindro de gas con agua caliente (a menos de 40°C) en las estaciones frías. Nunca utilice fuego o vapor.

8. Bombeo de vaciado

Cuando traslade o se deshaga del aire acondicionado, bombee para vaciar el sistema siguiendo el procedimiento indicado a continuación para que no escape nada de refrigerante a la atmósfera.

- ① Desconecte la fuente de alimentación (disyuntor).
- ② Conecte la válvula colectora de manómetro al puerto de servicio de la válvula de retención en el lado de la tubería del gas de la unidad exterior.
- ③ Cierre completamente la válvula de retención en el lado de la tubería de líquido de la unidad exterior.
- ④ Conecte la fuente de alimentación (disyuntor).
- ⑤ Lleve a cabo la operación de recuperación del refrigerante (prueba de funcionamiento de la refrigeración).
 - Para el modelo PAR-31MAA, seleccione "Service" → "TestRun" en el menú principal y, a continuación, elija el modo de refrigeración.
 - Para obtener información detallada u otra información acerca de cómo iniciar la prueba de funcionamiento cuando se están utilizando controladores remotos, consulte el manual de instalación de la unidad interior o del controlador remoto.
- ⑥ Cierre por completo la válvula de retención en el lado de la tubería de gas de la unidad exterior cuando el indicador de presión muestre de 0,05 a 0 MPa [manómetro] (aproximadamente 0,5 a 0 kgf/cm²) y detenga rápidamente el funcionamiento del acondicionador de aire.
 - Presione el botón "ON/OFF" del controlador remoto para detener el acondicionador de aire.
 - * Tenga en cuenta que cuando la tubería de extensión es muy larga y contiene una gran cantidad de refrigerante, es posible que no se pueda realizar una operación de bombeo. En ese caso, utilice un equipo de recuperación de refrigerante para recuperar todo el refrigerante del sistema.

- ⑦ Desconecte la fuente de alimentación (disyuntor), retire la válvula colectora de manómetro y, a continuación, desconecte las tuberías de refrigerante.

⚠ Atención:

Al realizar el vaciado del refrigerante, detenga el compresor antes de desconectar las tuberías de refrigerante.

- Si las tuberías de refrigerante se desconectan estando el compresor en funcionamiento y la válvula de retención (válvula de bola) está abierta, la presión del ciclo de refrigeración podría aumentar excesivamente si entra aire y hacer que revienten las tuberías o provocar lesiones, etc.

9. Características

Modelo exterior		SUZ-KA25VA6.TH	SUZ-KA35VA6.TH	SUZ-KA50VA6.TH	SUZ-KA60VA6.TH	SUZ-KA71VA6.TH
Alimentación		Monofásico 230 V, 50 Hz				
Tamaño Ancho × Alto × Largo		800 × 550 × 285		840 × 880 × 330		
Peso		30	35	54	50	53
Nivel de ruido *1	Refrigeración	47	49	52	55	
	Calefacción	48	50	52	55	

*1 Medición realizada bajo la frecuencia de funcionamiento nominal.

Indice

1. Prescrizioni di sicurezza da rispettare sempre	37	6. Collegamenti elettrici	41
2. Scelta del luogo di installazione	37	7. Manutenzione	42
3. Schema d'installazione	38	8. Pompaggio	43
4. Tubazioni di scarico per l'unità esterna	38	9. Specifiche	43
5. Installazione della tubazione del refrigerante	39		

1. Prescrizioni di sicurezza da rispettare sempre

- Fornire un circuito per il condizionatore d'aria e non collegarvi altre apparecchiature elettriche.
- Prima di installare il condizionatore, leggete interamente le seguenti "Prescrizioni di sicurezza da rispettare sempre".
- Essendo tali prescrizioni importanti per la sicurezza, vanno rispettate scrupolosamente.
- Simboli e loro significato:

⚠ Avvertenza:

Si può provocare il pericolo di morte, di infortuni gravi ecc.

⚠ Avvertenza:

- Il cliente non deve effettuare l'installazione autonomamente. Una installazione incompleta potrebbe provocare infortuni a seguito di incendi, di scosse elettriche, della caduta dell'apparecchio o perdite di acqua. Consultate il rivenditore presso il quale avete acquistato l'apparecchio, o un installatore specializzato.
- Questo apparecchio deve essere utilizzato da utenti esperti o appositamente formati, per negozi, industria leggera e aziende agricole, oppure da persone comuni nell'ambito di un uso commerciale.
- Fissate bene l'apparecchio in un luogo in grado di sostenerne il peso. Se l'installazione avviene in un punto debole, l'apparecchio potrebbe cadere, provocando infortuni.
- Per collegare fermamente l'apparecchio interno a quello esterno, usate i cavi specificati e fissateli bene alle morsettiere, in modo da evitare che cavi troppo tesi esercitino una trazione sulle morsettiere. Eventuali carenze nei collegamenti e nel fissaggio dei cavi possono provocare incendi.
- Non utilizzate collegamenti intermedi o prolunghe del cavo di alimentazione, e non collegate troppe utenze ad una sola presa di c.a. Potreste provocare incendi o scosse elettriche a seguito di contatti difettosi, isolamento insufficiente, superamento dell'intensità di corrente permessa, ecc.
- Al termine dell'installazione, verificate che non ci siano perdite di gas refrigerante.
- Eseguite correttamente l'installazione, facendo riferimento al presente manuale. Una installazione incompleta potrebbe provocare infortuni a seguito di incendi, scosse elettriche, della caduta dell'apparecchio o perdite di acqua.
- Utilizzare esclusivamente i cablaggi specificati. I collegamenti devono essere fatti in condizioni di sicurezza, senza tensione sui connettori. Inoltre, non giuntare mai i cablaggi (se non diversamente indicato nel presente documento). La mancata osservanza di queste istruzioni può essere causa di surriscaldamento o incendio.

⚠ Attenzione:

L'utilizzo improprio in atmosfere particolari può provocare infortuni gravi ecc.

- Dopo aver letto questo manuale, riponetelo insieme al manuale di istruzioni per l'uso in un luogo accessibile presso il cliente.



: Indica la necessità di collegare un componente a massa.

⚠ Avvertenza:

Leggere attentamente le etichette attaccate all'unità principale.

- Eseguite l'installazione elettrica in conformità al manuale di installazione ed accertatevi di utilizzare un circuito a parte. Se la potenza del circuito di alimentazione è insufficiente, o se l'installazione elettrica è carente, vi è il rischio di incendi o di scosse elettriche.
- Accertatevi di fissare bene il pannello di copertura delle parti elettriche dell'apparecchio interno ed il pannello di servizio dell'apparecchio esterno. Se il pannello di copertura delle parti elettriche dell'apparecchio interno ed il pannello di servizio dell'apparecchio esterno non sono ben fissati, potrebbero esserci incendi o scosse elettriche dovuti alla presenza di polvere, di acqua ecc.
- Per i lavori di installazione, accertatevi di utilizzare i pezzi da noi forniti o quelli specificati. L'utilizzo di parti difettose potrebbe provocare infortuni o perdite di acqua a seguito di incendi, di scosse elettriche, della caduta dell'apparecchio ecc.
- In caso di perdite di refrigerante durante il funzionamento, ventilare la stanza. Se il refrigerante viene a contatto con fiamme vengono esalati gas tossici.
- Eseguendo il pompaggio del refrigerante, arrestare il compressore prima di scollegare i tubi del refrigerante. Il compressore potrebbe esplodere se aria ecc. vi penetra all'interno.
- Durante l'installazione o il trasloco, o quando si sottopone ad assistenza il condizionatore d'aria, utilizzare solo il refrigerante specificato (R410A) per ricaricare i tubi del refrigerante. Non mescolarlo con nessun altro tipo di refrigerante e non consentire all'aria di restare all'interno dei tubi. Qualora dell'aria si mescoli con il refrigerante, potrebbe far innalzare in modo anomalo la pressione nel tubo del refrigerante, il che potrebbe provocare un'esplosione o altri pericoli. L'uso di refrigeranti diversi da quello specificato per il sistema provocherà guasti meccanici, malfunzionamenti del sistema o la rottura dell'unità. Nel peggiore dei casi, questo potrebbe impedire seriamente di garantire la messa in sicurezza del prodotto.

⚠ Attenzione:

- Collegare l'apparecchio a terra. Non collegate il cavo di terra ad un tubo del gas, alla fascetta di messa a terra di un tubo dell'acqua o ad un cavo di messa a terra del telefono. Eventuali carenze nella messa a terra possono provocare scosse elettriche.
- Non installate l'apparecchio in luoghi eventualmente esposti a perdite di gas infiammabili. Eventuali perdite di gas che si accumulano nella zona intorno all'apparecchio possono provocare esplosioni.
- Installate un sezionatore per le dispersioni a terra a seconda del luogo di installazione (in presenza di umidità).

La mancanza di un sezionatore per le dispersioni a terra può provocare scosse elettriche.

- Installate fermamente il drenaggio / le tubazioni in conformità al manuale di installazione. Eventuali carenze nell'installazione del drenaggio e delle tubazioni possono provocare sgocciolamenti dall'apparecchio, che potrebbero bagnare e danneggiare gli oggetti di casa.
- Serrare un dado a cartella alla coppia di serraggio specificata nel presente manuale. Se serrato troppo stretto, il dado a cartella rischia di rompersi dopo un lungo periodo, con una conseguente perdita di refrigerante.

2. Scelta del luogo di installazione

2.1. Sezione esterna

- Dove non sia esposta a forte vento.
- Dove il flusso dell'aria è sufficiente e senza polvere.
- Dove non sia esposta alla pioggia o alla luce solare diretta.
- Dove non disturbi i vicini con il rumore o l'aria calda.
- Dove è disponibile un muro o supporto rigido per limitare il rumore e le vibrazioni.
- Dove non vi siano rischi di perdite di combustibili o gas.
- Quando si installa l'unità in posizione elevata, accertarsi di fissare saldamente le gambe dell'unità stessa.
- Ad almeno 3 m di distanza dall'antenna del televisore o della radio (altrimenti ci potrebbero essere distorsioni delle immagini o radiodisturbi).
- Eseguire l'installazione in un'area non esposta a vento e neve. In zone soggette a forti nevicate, installare una copertura, un piedistallo e/o eventuali pannelli protettivi.
- Installare orizzontalmente l'unità.

⚠ Cautela:

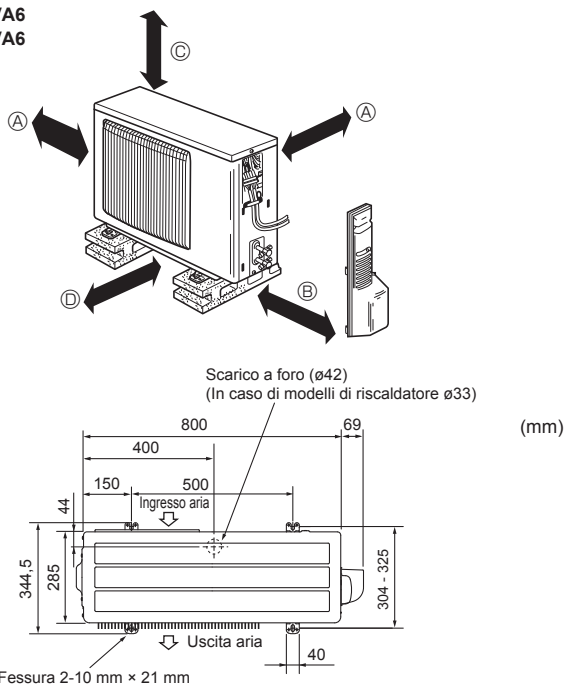
Evitare le seguenti posizioni di installazione che possono causare problemi di funzionamento.

- Dove possa esservi troppo olio per macchina.
- Ambienti salini come aree marine.
- Aree terminali.
- In presenza di solfuri.
- Altre aree con condizioni atmosferiche particolari.

In modalità riscaldamento, l'unità esterna produce condensa. Scegliere un luogo di installazione tale da evitare che l'acqua di scarico penetri nell'unità esterna e/o nel suolo o possa causarvi danni se ghiacciata.

3. Schema d'installazione

■ SUZ-KA25VA6
SUZ-KA35VA6



■ SUZ-KA50VA6
SUZ-KA60VA6
SUZ-KA71VA6

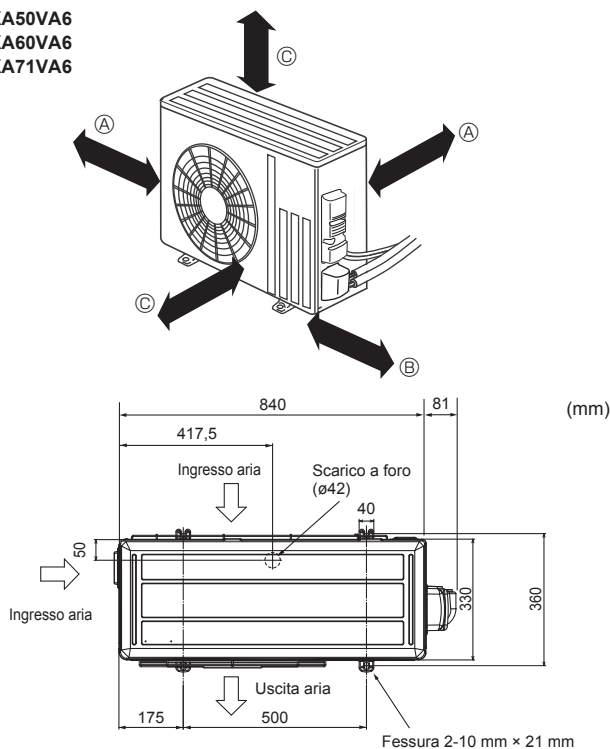


Fig. 3-1

4. Tubazioni di scarico per l'unità esterna (Fig. 4-1)

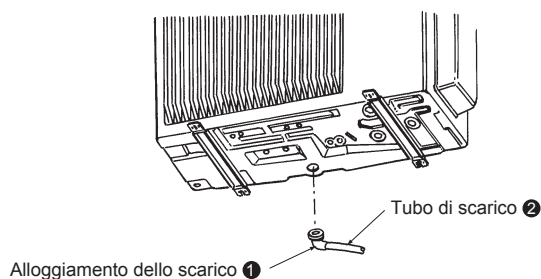


Fig. 4-1

3.1. Sezione esterna (Fig. 3-1)

Spazio per la ventilazione e l'assistenza

■ SUZ-KA25VA6
SUZ-KA35VA6

- Ⓐ 100 mm o più
- Ⓑ 350 mm o più
- Ⓒ Apertura di 100 mm o più senza alcuna ostruzione davanti o a entrambi i lati dell'unità.
- Ⓓ 200 mm o più (Aprire due dei lati sinistro, destro o posteriore.)

■ SUZ-KA50VA6
SUZ-KA60VA6
SUZ-KA71VA6

- Ⓐ 100 mm o più
- Ⓑ 350 mm o più
- Ⓒ 500 mm o più

Se le tubazioni vanno installate su pareti contenenti metalli (lamiera stagnata) o su una rete metallica, interponete un pezzo di legno trattato chimicamente da 20 mm di spessore o più tra la parete e la tubazione, oppure fasciate le tubazioni con 7-8 giri di nastro vinilico isolante.

L'installazione degli apparecchi va affidata a installatori autorizzati in conformità alle norme locali.

Nota:

Quando la temperatura esterna è bassa, utilizzare il condizionatore d'aria attenendosi alle seguenti istruzioni.

- Non installare mai l'unità esterna con il lato di ingresso/uscita aria direttamente esposto al vento.
- Per evitare l'esposizione al vento, installare l'unità esterna posizionando il lato di ingresso aria di fronte ad un muro.
- Per evitare l'esposizione al vento, si consiglia di installare un pannello protettivo sul lato di uscita aria dell'unità esterna.

4.1. Accessori

Controllare le parti indicate di seguito prima dell'installazione.

<Unità esterna>

❶	Alloggiamento dello scarico	1
---	-----------------------------	---

- Installare la tubazione prima di eseguire il collegamento delle tubazioni alle unità interna ed esterna. (Se il collegamento delle tubazioni alle unità interna ed esterna viene effettuato prima dell'installazione della tubazione di scarico, sarà difficile installare l'alloggiamento dello scarico ❶ poiché l'unità esterna sarà fissa.)
- Collegare il tubo di scarico ❷ (acquistabile in negozio, diametro interno: 15 mm) come mostrato nella figura.
- Accertarsi che la tubazione di scarico risulti un po' inclinata per facilitare il flusso dello scarico.

Nota:

Non utilizzare l'alloggiamento dello scarico ❶ in zone fredde. Lo scarico potrebbe gelare e provocare l'arresto della ventola.

5. Installazione della tubazione del refrigerante

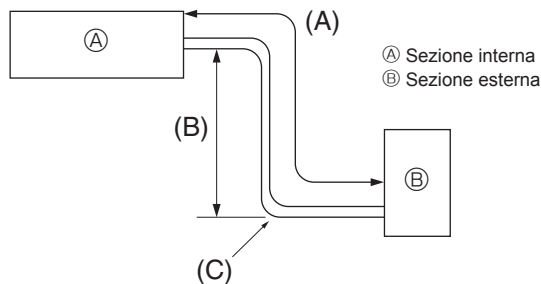


Fig. 5-1

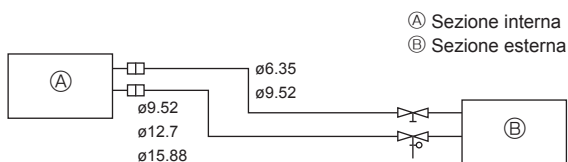


Fig. 5-2

5.1. Tubazione del refrigerante (Fig. 5-1)

► Verificare che il dislivello fra le sezioni interna ed esterna, la lunghezza della tubazione del refrigerante ed il numero di pieghe sulla stessa siano entro i limiti indicati nella tabella sottostante.

Modelli	(A) Lunghezza della tubazione (una direzione)	(B) Dislivello	(C) Numero di pieghe (una direzione)
SUZ-KA25/KA35	max. 20 m	max. 12 m	max. de 10
SUZ-KA50/KA60/KA71	max. 30 m	max. 30 m	max. de 10

- Le specifiche del dislivello sono valide per qualsiasi installazione delle sezioni interna ed esterna, indipendentemente da quale unità si trova in posizione più elevata.
- Refrigerante....Se la lunghezza della tubazione eccede 7 m, è necessaria una carica aggiuntiva di refrigerante (R410A).
(L'unità esterna è caricata con refrigerante per una tubazione da 7 m.)

Lunghezza tubazione	Sino a 7 m	Carica aggiuntiva non necessaria.
	Più di 7 m	Carica aggiuntiva necessaria. (Fare riferimento alla tabella sottostante.)
Refrigerante da aggiungere	SUZ-KA25/KA35 tipo	30 g × (lunghezza tubazione refrigerante (m) - 7)
	SUZ-KA50/KA60 tipo	20 g × (lunghezza tubazione refrigerante (m) - 7)
	SUZ-KA71 tipo	55 g × (lunghezza tubazione refrigerante (m) - 7)

(1) La tabella che segue illustra le specifiche dei tubi normalmente reperibili dal commercio.

Modello	Tubo	Diametro esterno		Spessore minimo del muro	Spessore isolamento	Materiale isolante
		mm	pollice			
SUZ-KA25	Per liquido	6,35	1/4	0,8 mm	8 mm	Espanso resistente al calore, peso specifico 0,045
	Per gas	9,52	3/8	0,8 mm	8 mm	
SUZ-KA35	Per liquido	6,35	1/4	0,8 mm	8 mm	
	Per gas	9,52	3/8	0,8 mm	8 mm	
SUZ-KA50	Per liquido	6,35	1/4	0,8 mm	8 mm	
	Per gas	12,7	1/2	0,8 mm	8 mm	
SUZ-KA60	Per liquido	6,35	1/4	0,8 mm	8 mm	
	Per gas	15,88	5/8	0,8 mm	8 mm	
SUZ-KA71	Per liquido	9,52	3/8	0,8 mm	8 mm	
	Per gas	15,88	5/8	1,0 mm	8 mm	

(2) Verificate che i due tubi del refrigerante siano isolati bene per prevenire la formazione di condensa.

(3) Il raggio di curvatura dei tubi del refrigerante deve essere di 100 mm o più.

⚠ **Attenzione:**

Applicate con cura il materiale isolante dello spessore specificato. Uno spessore eccessivo occupa troppo spazio dietro all'apparecchio interno, mentre uno spessore scarso provoca sgocciolamenti di condensa.

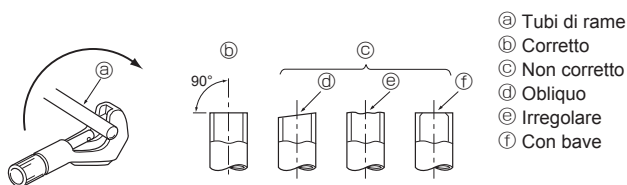


Fig. 5-3

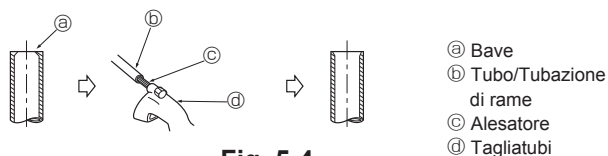


Fig. 5-4



Fig. 5-5

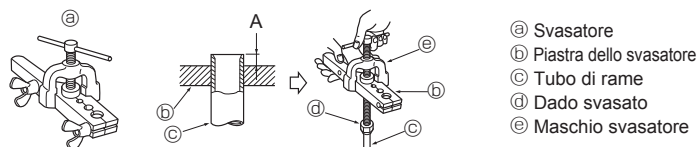


Fig. 5-6

5.2. Svasatura

- I difetti nell'esecuzione della svasatura sono la causa principale delle perdite. Eseguite correttamente la svasatura secondo la procedura che segue.

5.2.1. Taglio (Fig. 5-3)

- Tagliate correttamente i tubi di rame con un tagliatubi.

5.2.2. Sbvatura (Fig. 5-4)

- Asportate completamente le bave dalla sezione trasversale di taglio del tubo.
- Mentre eseguite la sbavatura, tenete il tubo di rame con l'estremità rivolta verso il basso, per evitare di fare entrare pezzi di metallo nella tubazione.

5.2.3. Montaggio dei dadi svasati (Fig. 5-5)

- Al termine della sbavatura, togliete i dadi svasati montati sull'apparecchio interno ed esterno e montateli sui tubi (non è possibile montarli dopo la svasatura).

5.2.4. Svasatura (Fig. 5-6)

- Eseguite la svasatura con l'apposito utensile come nella figura a destra.

Diametro delle tubazioni (mm)	Dimensioni	
	A (mm)	B ⁺⁰ _{-0,4} (mm)
	Quando viene utilizzato l'attrezzo per l'R410A	
	Tipo frizione	
6,35	0 - 0,5	9,1
9,52	0 - 0,5	13,2
12,7	0 - 0,5	16,6
15,88	0 - 0,5	19,7

Bloccate bene il tubo in un foro della piastra dello svasatore delle dimensioni della tabella di cui sopra.

5. Installazione della tubazione del refrigerante

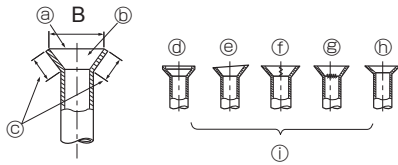


Fig. 5-7

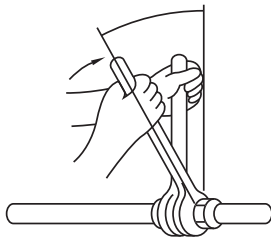


Fig. 5-8

5.2.5. Controllo (Fig. 5-7)

• Confrontate la svasatura con le figure a destra.

• Se non è conforme, asportate la parte svasata e ripetete l'operazione.

- Ⓐ Superficie liscia tutto intorno
- Ⓑ Interno lucido, senza graffi
- Ⓒ Silezza uniforme sull'intera circonferenza
- Ⓓ Troppo
- Ⓔ Inclinato
- Ⓕ Graffi sulla superficie svasata
- Ⓖ Con incrinature
- Ⓗ Irregolare
- Ⓘ Esempi di svasatura non corretta

- Applicare una piccola quantità di refrigerante alla superficie di posa della tubazione. (Fig. 5-8)
- Per eseguire il collegamento, allineare correttamente il centro e quindi stringere il dado svasato per 3 o 4 giri.
- Utilizzare le coppie di serraggio indicate nella tabella in basso per la giunzione sull'unità interna e stringere utilizzando due chiavi. Un serraggio eccessivo può danneggiare la sezione svasata.

D.E. del tubo di rame (mm)	D.E. del dado a cartella (mm)	Coppia di serraggio (N·m)
ø6,35	17	14 - 18
ø9,52	22	34 - 42
ø12,7	26	49 - 61
ø15,88	29	68 - 82

⚠ Avvertenza:

Installando l'unità, collegare saldamente i tubi del refrigerante prima di azionare il compressore.

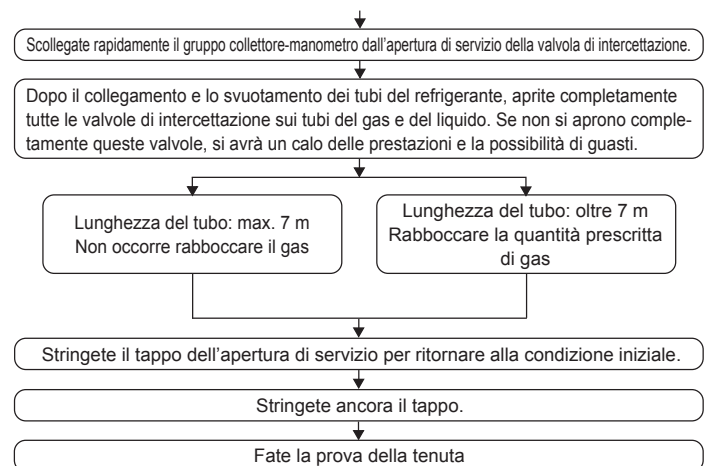
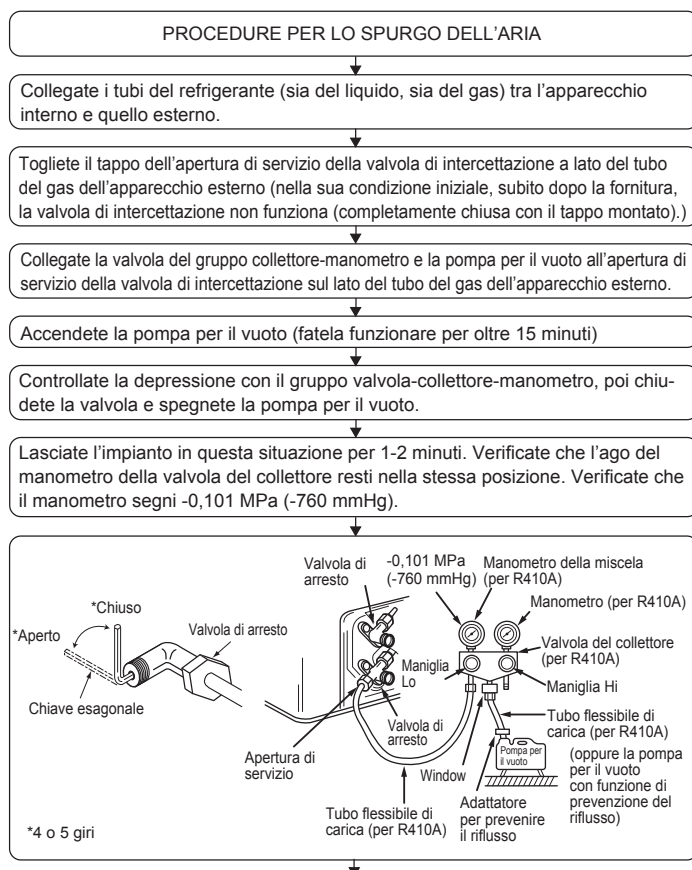
⚠ Avvertenza:

Fare attenzione al dado svasato provvisorio (pressione interna elevata!)

Togliere il dado svasato come segue:

1. Allentare il dado fino a quando non si avverte un sibilo.
2. Non togliere il dado fino a quando il gas non è fuoriuscito del tutto (p.e. non si avverte più il sibilo).
3. Verificare che non vi sia più gas, quindi togliere il dado.

5.5. Spurgo dell'aria e verifica della tenuta



6. Collegamenti elettrici

6.1. Unità esterna (Fig. 6-1, Fig. 6-2, Fig. 6-3, Fig. 6-4)

- ① Rimuovere il pannello di servizio.
- ② Collegare i cavi facendo riferimento alla Fig. 6-1, Fig. 6-2, Fig. 6-3 e Fig. 6-4.

■ SUZ-KA25/35/50VA6

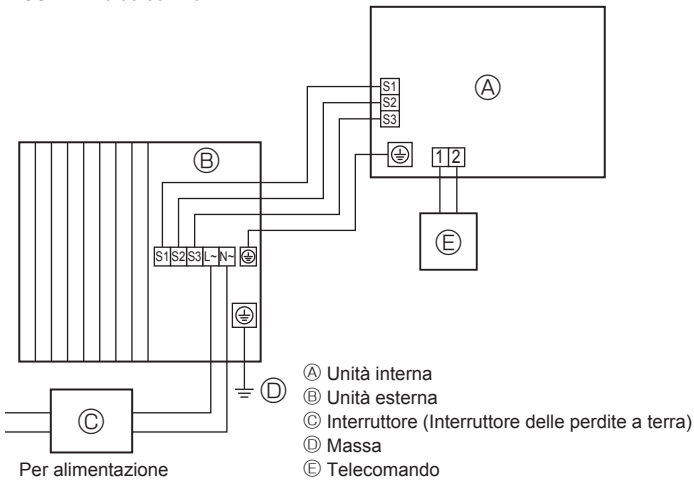
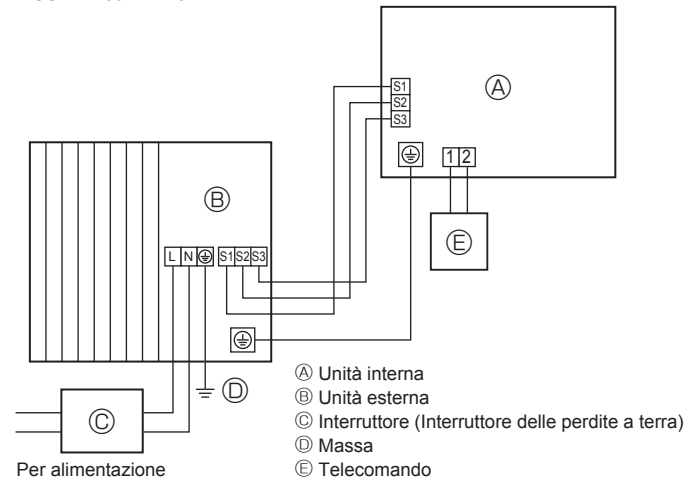


Fig. 6-1

■ SUZ-KA60/71VA6



Terminali interni

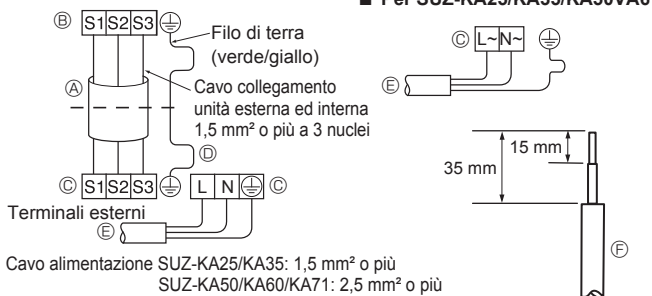


Fig. 6-2

- Eseguire i collegamenti elettrici seguendo lo schema ripreso qui sotto a sinistra (Procurarsi il cavo locale). (Fig. 6-2)
- Assicurarsi di usare cavi dalla polarità corretta.

- (A) Cavo di collegamento
- (B) Terminali interna
- (C) Terminali esterna
- (D) Installare sempre un filo di terra più lungo degli altri cavi.
- (E) Cavo di alimentazione
- (F) Filo

- Il cavo di terra deve essere un po' più lungo degli altri. (Più di 100 mm)
- Lasciare una lunghezza extra ai cavi di collegamento per permettere la manutenzione futura.
- Nel fissare il cavo e/o il fil alla morsetteria, fare attenzione a fissare ciascuna vite al terminale corrispondente.

- Collegare correttamente alla morsetteria il cavo proveniente dalla sezione interna.
- Utilizzare la stessa morsetteria e seguire la stessa polarità dell'unità interna.
- Lasciare il cavo di collegamento un po' più lungo per eventuali lavori di manutenzione.

- Entrambe le estremità del cavo di collegamento (prolunga) sono spelate. Se sono troppo lunghe, o collegate senza il neutro, spelate il cavo di alimentazione corrente rispettando le lunghezze riportate nella figura qui a destra.
- State attenti ad evitare il contatto tra i cavi di collegamento ed i tubi.

■ SUZ-KA25/35VA6

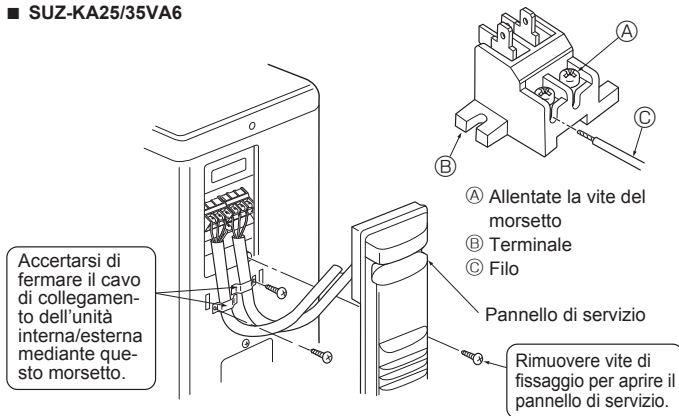


Fig. 6-3

■ SUZ-KA50/60/71VA6

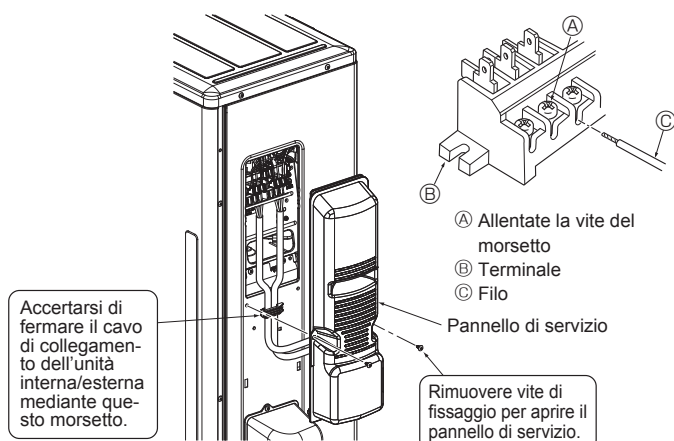


Fig. 6-4

⚠ Attenzione:

- State attenti a non invertire i fili.
- Stringete bene le viti dei morsetti per prevenire allentamenti.
- Dopo il serraggio, tirate leggermente i fili per verificare che non si stacchino.

⚠ Avvertenza:

- Accertatevi di chiudere bene il pannello di servizio dell'apparecchio esterno. Se non è chiuso bene, potrebbero verificarsi incendi e scosse elettriche dovuti alla polvere, all'acqua ecc.
- Serrare saldamente le viti terminali.
- I cablaggi devono essere eseguiti stando attenti a non tendere troppo i fili di alimentazione, per evitare la generazione di calore o un incendio.

6. Collegamenti elettrici

6.2. Collegamenti elettrici sul campo

Modello unità esterna		SUZ-KA25/KA35	SUZ-KA35 *3	SUZ-KA50/KA60/KA71
Alimentazione unità esterna		~N (singolo), 50 Hz, 230 V	~N (singolo), 50 Hz, 230 V	~N (singolo), 50 Hz, 230 V
Capacità unità esterna		10 A	16 A	20 A
Interruttore principale (Salvavita)		*1		
Collegamento Filo No. x dimensione (mm ²)	Alimentazione unità esterna	2 × Min. 1,5	2 × Min. 2,0	2 × Min. 2,5
	Messa a terra alimentazione unità esterna	1 × Min. 1,5	1 × Min. 2,0	1 × Min. 2,5
	Unità interna-Unità esterna	3 × 1,5 (Polare)	3 × 1,5 (Polare)	3 × 1,5 (Polare)
	Unità interna-Messa a terra unità esterna	1 × Min. 1,5	1 × Min. 1,5	1 × Min. 1,5
Capacità circuito	Unità esterna L-N	*2	230 V CA	230 V CA
	Unità interna-Unità esterna S1-S2	*2	230 V CA	230 V CA
	Unità interna-Unità esterna S2-S3	*2	12 V CC – 24 V CC	12 V CC – 24 V CC

*1. Viene fornito un interruttore salvavita con separazione di contatto di almeno 3 mm in ciascun polo. Utilizzare un interruttore delle perdite a terra (NV).

Accertarsi che l'interruttore del circuito di dispersione sia compatibile con armoniche più alte.

Utilizzare sempre un interruttore del circuito di dispersione compatibile con armoniche più alte in quanto questa unità è dotata di inverter.

L'uso di un interruttore inadeguato può compromettere il funzionamento dell'inverter.

*2. Le cifre NON fanno sempre riferimento alla messa a terra.

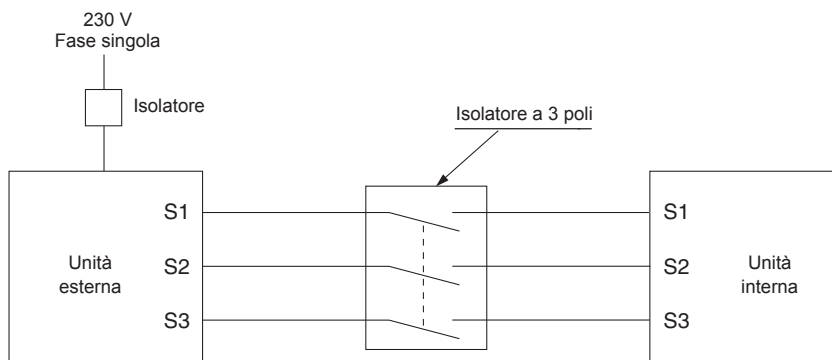
Il terminale S3 è dotato di 24 V CC rispetto al terminale S2. Tuttavia tra i terminali S3 e S1 NON vi è alcun isolamento elettrico mediante il trasformatore o un altro dispositivo.

*3. In caso di combinazione di modelli della serie PEAD-RP35JA.

Nota: 1. Le dimensioni dei cavi devono rispettare le normative locali e nazionali vigenti.

2. I cavi di alimentazione e i cavi di collegamento delle unità interna ed esterna non devono essere più leggeri di un cavo flessibile in policloroprene con guaina. (Modello 60245 IEC 57)

3. Installare un cavo di messa a terra più lungo degli altri cavi.

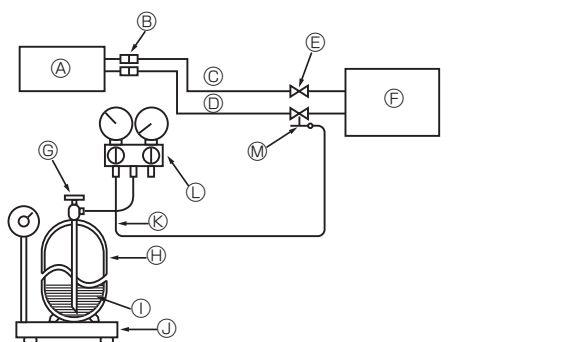


⚠ Avvertenza:

È presente alta tensione sul terminale S3 a causa del tipo di circuito elettrico, poiché non vi è alcun isolamento elettrico tra il cavo di alimentazione e il cavo segnale comunicazioni. Pertanto disattivare l'alimentazione durante gli interventi di manutenzione. Inoltre evitare di toccare i terminali S1, S2 e S3 quando l'alimentazione è sotto tensione. Qualora sia necessario utilizzare un isolatore tra l'unità interna e l'unità esterna, usare un tipo a 3 poli.

Non giuntare mai il cavo dell'alimentazione o il cavo di collegamento interno-esterno, diversamente ciò potrebbe essere causa di fumo, incendio o mancato collegamento.

7. Manutenzione



- | | |
|---|--|
| (A) Unità interna | (H) Bombola di gas refrigerante per R410A con sifone |
| (B) Giunto | (I) Refrigerante (liquido) |
| (C) Tubo liquido | (J) Bilancia elettronica per la carica di refrigerante |
| (D) Tubo gas | (K) Tubo di carica (per R410A) |
| (E) Valvola di arresto | (L) Valvola del raccordo del manometro (per R410A) |
| (F) Unità esterna | (M) Passaggio di servizio |
| (G) Valvola di funzione bombola di gas refrigerante | |

Fig. 7-1

7.1. Carica gas (Fig. 7-1)

- Collegare il cilindro del gas all'apertura di servizio della valvola di arresto (a 3 vie).
- Effettuare lo spurgo dell'aria del tubo (o del flessibile) proveniente dal cilindro del gas refrigerante.
- Rabboccate la quantità specificata di refrigerante facendo funzionare il condizionatore nel modo "raffreddamento".

Nota:

In caso d'aggiunta di refrigerante, usare la quantità specificata per il ciclo refrigerante.

⚠ Attenzione:

- Non far uscire il refrigerante nell'atmosfera. Fare attenzione a non far uscire il refrigerante nell'atmosfera durante il montaggio, il rimontaggio o la riparazione del circuito refrigerante.
- Per quanto riguarda la carica aggiuntiva, caricare il refrigerante da una bombola di gas allo stato liquido. Se il refrigerante viene caricato allo stato gassoso, si può verificare una modifica della composizione del refrigerante all'interno della bombola e dell'unità esterna. In tal caso, la capacità operativa del ciclo refrigerante diminuisce o può essere impossibile riprendere il funzionamento normale. Tuttavia, se si carica il refrigerante tutto assieme, si può provocare il bloccaggio del compressore. Quindi, caricare lentamente il refrigerante.

Per mantenere una pressione elevata nelle bombole, scaldare le bombole in acqua calda (40°C) durante la stagione fredda. Non usare mai fiamme libere o vapore.

8. Pompaggio

Quando si desidera spostare o eliminare il condizionatore d'aria, eseguire il pompaggio del sistema attenendosi alla procedura riportata di seguito, affinché non venga emesso refrigerante nell'atmosfera.

- ① Disattivare l'alimentazione (interruttore di circuito).
- ② Collegare la valvola del raccordo del manometro all'apertura di servizio della valvola di arresto sul lato del tubo del gas dell'unità esterna.
- ③ Chiudere completamente la valvola di arresto sul lato del tubo del liquido dell'unità esterna.
- ④ Ristabilire l'alimentazione (interruttore di circuito).
- ⑤ Eseguire l'operazione di raccolta del refrigerante (prova di funzionamento in raffreddamento).
 - Per il modello PAR-31MAA, selezionare dal menu principale "Service" → "TestRun" ("Manutenzione" → "TestRun") per avviare la prova di funzionamento, quindi selezionare il modo raffreddamento.
 - Per ulteriori informazioni sull'avvio della prova di funzionamento con i telecomandi, consultare il manuale di installazione dell'unità interna o del telecomando.
- ⑥ Chiudere completamente la valvola di arresto sul lato del tubo del gas dell'unità esterna quando il manometro indica da 0,05 a 0 MPa [Manometro] (da 0,5 a 0 kgf/cm² circa) ed arrestare rapidamente il condizionatore d'aria.
 - Per arrestare il condizionatore d'aria, premere il tasto "ON/OFF" sul telecomando.
 - * Tenere presente che quando i tubi di prolunga sono molto lunghi e vi è una grande quantità di refrigerante, può accadere che non si riesca ad eseguire l'operazione di pompaggio. In questo caso, per raccogliere tutto il refrigerante che si trova all'interno del sistema, utilizzare un dispositivo di recupero refrigerante.

- ⑦ Disattivare l'alimentazione (interruttore di circuito), rimuovere la valvola del collettore, quindi staccare i tubi del refrigerante.

⚠ Avvertenza:

Quando si esegue il pompaggio del refrigerante, arrestare il compressore prima di scollegare i tubi del refrigerante.

- Se si scollegano i tubi del refrigerante mentre il compressore è in funzione e la valvola di arresto (valvola a sfera) è aperta, durante il ciclo frigorifero la pressione potrebbe giungere ad un livello estremamente alto in caso di aspirazione di aria, con il rischio di scoppio dei tubi e conseguenti lesioni personali, ecc.

9. Specifiche

Modello esterno		SUZ-KA25VA6.TH	SUZ-KA35VA6.TH	SUZ-KA50VA6.TH	SUZ-KA60VA6.TH	SUZ-KA71VA6.TH
Alimentatore		Monofase 230 V, 50 Hz				
Dimensioni L × A × P		800 × 550 × 285		840 × 880 × 330		
Peso		30	35	54	50	53
Livello di rumorosità *1	Raffreddamento	47	49	52	55	
	Riscaldamento	48	50	52	55	

*1 Misura eseguita alla frequenza di funzionamento nominale.

Περιεχόμενα

1. Για λόγους ασφαλείας, τα παρακάτω πρέπει να τηρούνται πάντοτε	44
2. Επιλογή της θέσης εγκατάστασης	44
3. Διάγραμμα εγκατάστασης	45
4. Σωληνώσεις αποστράγγισης για την εξωτερική μονάδα	45
5. Εργασίες στις σωληνώσεις ψυκτικού	46

6. Ηλεκτρικές εργασίες	48
7. Συντήρηση	49
8. Συμπιεση	50
9. Προδιαγραφές	50

1. Για λόγους ασφαλείας, τα παρακάτω πρέπει να τηρούνται πάντοτε

- Παρακαλούμε να προνοήσετε για ένα αποκλειστικό κύκλωμα για το κλιματιστικό και να μην συνδέσετε άλλες ηλεκτρικές συσκευές σ' αυτό.
- Βεβαιωθείτε ότι διαβάσατε την ενότητα "Προφυλάξεις για την ασφάλεια" πριν από την τοποθέτηση του κλιματιστικού μηχανήματος.
- Βεβαιωθείτε ότι τηρήσατε τις προφυλάξεις που περιγράφονται σε αυτό το εγχειρίδιο, καθώς περιλαμβάνουν σημαντικές πληροφορίες για την ασφάλεια.
- Η ερμηνεία των ενδείξεων και των συμβόλων είναι η εξής:

⚠ Προειδοποίηση:

Ενδέχεται να προκαλέσει θάνατο, σοβαρό τραυματισμό κ.λπ.

⚠ Προειδοποίηση:

- Μην πραγματοποιείτε την εγκατάσταση μόνοι σας (εάν είστε ο πελάτης). Η ατελής εγκατάσταση ενδέχεται να προκαλέσει τραυματισμό λόγω πρόκλησης πυρκαγιάς ή ηλεκτροπληξίας, η μονάδα ενδέχεται να πέσει ή ενδέχεται να παρουσιαστεί διαρροή νερού. Συμβουλευτείτε τον αντιπρόσωπο από τον οποίο προμηθευτήκατε τη μονάδα ή ειδικευμένο τεχνικό.
- Η παρούσα συσκευή προορίζεται για χρήση από εξειδικευμένους ή εκπαιδευμένους χρήστες σε καταστήματα, στην ελαφρά βιομηχανία και σε φάρμες ή για εμπορική χρήση από μη εξειδικευμένους χρήστες.
- Εγκαταστήστε τη μονάδα με ασφάλεια, σε σημείο το οποίο μπορεί να υποστηρίξει το βάρος της. Εάν η μονάδα τοποθετηθεί σε σημείο που δεν μπορεί να υποστηρίξει το βάρος της, ενδέχεται να πέσει και να προκαλέσει τραυματισμό.
- Χρησιμοποιήστε τα καθορισμένα καλώδια για να συνδέσετε την εσωτερική και την εξωτερική μονάδα με ασφάλεια και συνδέστε τα καλώδια σταθερά στις υποδοχές του πίνακα, έτσι ώστε να μην εφαρμόζεται τάση στις υποδοχές. Η ατελής σύνδεση και τοποθέτηση ενδέχεται να προκαλέσει πυρκαγιά.
- Μην χρησιμοποιείτε ενδιάμεση σύνδεση για το καλώδιο ρεύματος ή καλώδιο προέκτασης και μην συνδέετε πολλαπλές συσκευές σε μία πρίζα εναλλασσόμενου ρεύματος. Ενδέχεται να προκληθεί πυρκαγιά ή ηλεκτροπληξία λόγω ελαττωματικής επαφής, ελαττωματικής μόνωσης, υπέρβασης της επιτρεπτής τάσης ρεύματος κ.λπ.
- Βεβαιωθείτε ότι δεν υπάρχει διαρροή αερίου ψυκτικού μετά από την ολοκλήρωση της εγκατάστασης.
- Εκτελέστε τις εργασίες εγκατάστασης με ασφάλεια, ανατρέχοντας στο εγχειρίδιο εγκατάστασης. Η ατελής εγκατάσταση ενδέχεται να προκαλέσει ηλεκτροπληξία ή τραυματισμό λόγω πρόκλησης πυρκαγιάς, η μονάδα ενδέχεται να πέσει ή ενδέχεται να σημειωθεί διαρροή νερού.
- Χρησιμοποιείτε μόνο τα συνιστώμενα καλώδια για την καλωδίωση. Οι συνδέσεις της καλωδίωσης πρέπει να γίνονται σωστά χωρίς να ασκείται πίεση στις συνδέσεις των τερματικών. Επίσης, ποτέ μη συγκολλήσετε τα καλώδια για την καλωδίωση (εκτός αν αναφέρεται διαφορετικά σε αυτό το έγγραφο). Σε περίπτωση που δεν ακολουθήσετε αυτές τις οδηγίες μπορεί να προκληθεί υπερθέρμανση ή πυρκαγιά.

⚠ Προσοχή:

- Φροντίστε να γείωσετε τη μονάδα. Μην συνδέετε το καλώδιο γείωσης σε σωλήνα αερίου, αποστατικό σωλήνα νερού ή καλώδιο γείωσης του τηλεφώνου. Η ελαττωματική γείωση θα μπορούσε να προκαλέσει ηλεκτροπληξία.
- Μην τοποθετείτε τη μονάδα σε χώρο όπου ενδέχεται να υπάρχει διαρροή εύφλεκτων αερίων. Εάν διαρρεύσει αέριο και συγκεντρωθεί στο χώρο που περιβάλλει τη μονάδα, ενδέχεται να προκληθεί έκρηξη.
- Τοποθετήστε ένα ρελέ διαφυγής γείωσης, ανάλογο με το χώρο τοποθέτησης (όπου υπάρχει υγρασία). Εάν δεν τοποθετηθεί αυτόματο ρελέ απορροής, ενδέχεται να προκληθεί ηλεκτροπληξία.

2. Επιλογή της θέσης εγκατάστασης

2.1. Εξωτερική μονάδα

- Σε θέση που δεν είναι εκτεθειμένη σε ισχυρό άνεμο.
- Σε θέση που δεν συγκεντρώνει σκόνη και στην οποία εξασφαλίζεται η σωστή ροή αέρα.
- Σε θέση που δεν είναι εκτεθειμένη στη βροχή και στο φως του ήλιου.
- Σε θέση στην οποία ο ήχος λειτουργίας ή ο θερμός αέρας που εξέρχεται δεν ενοχλεί τους γείτονες.
- Σε θέση όπου υπάρχει συμπαγής τοίχος ή στήριγμα, προκειμένου να αποτρέπεται η αύξηση του θορύβου κατά τη λειτουργία ή οι κρούασμοί.
- Σε θέση όπου δεν υπάρχει κίνδυνος διαρροής εύφλεκτου αερίου.
- Όταν εγκαθιστάτε τη μονάδα ψηλά, βεβαιωθείτε ότι στερεώνεται καλά τα πόδια στηρίζεις της μονάδας.
- Σε θέση που απέχει τουλάχιστον 3 μέτρα μακριά από την κεραία της τηλεόρασης ή του ραδιοφώνου. (Διαφορετικά, οι εικόνες θα παραμορφώνονται ή θα δημιουργείται θόρυβος).
- Η εγκατάσταση πρέπει να γίνει σε σημεία που δεν είναι εκτεθειμένα στη χιονόπτωση ή στον αέρα. Σε περιοχές όπου χιονίζει συχνά, τοποθετήστε ένα υπόστε-

⚠ Προσοχή:

Εάν δεν χρησιμοποιείται σωστά, ενδέχεται να προκαλέσει σοβαρό τραυματισμό σε συγκεκριμένα περιβάλλοντα.

- Αφού διαβάσατε αυτό το εγχειρίδιο, βεβαιωθείτε ότι το φυλάσσετε μαζί με το εγχειρίδιο οδηγιών σε κατάλληλο μέρος, στο χώρο του πελάτη, ώστε να ανατρέχετε εύκολα σε αυτό.



Δείχνει μέρος της συσκευής που πρέπει να γειώνεται.

⚠ Προειδοποίηση:

Διαβάστε προσεκτικά τις ετικέτες που είναι κολλημένες πάνω στην κύρια μονάδα.

- Εκτελέστε τις ηλεκτρικές συνδέσεις σύμφωνα με το εγχειρίδιο εγκατάστασης και φροντίστε να χρησιμοποιήσετε αποκλειστικό κύκλωμα. Εάν η δυνατότητα του κυκλώματος ρεύματος είναι ανεπαρκής ή οι ηλεκτρικές συνδέσεις δεν έχουν εκτελεστεί σωστά, ενδέχεται να προκληθεί πυρκαγιά ή ηλεκτροπληξία.
- Προσαρτήστε το κάλυμμα των ηλεκτρικών μερών στην εσωτερική μονάδα και τον πίνακα εργασιών στην εξωτερική μονάδα. Εάν το κάλυμμα των ηλεκτρικών μερών δεν τοποθετηθεί σωστά στην εσωτερική μονάδα και/ή το κάλυμμα των μηχανικών μερών δεν τοποθετηθεί σωστά στην εξωτερική μονάδα, ενδέχεται να προκληθεί πυρκαγιά ή ηλεκτροπληξία λόγω εισόδου σκόνης, νερού κ.λπ.
- Βεβαιωθείτε ότι χρησιμοποιείτε το παρεχόμενο εξάρτημα ή τα καθορισμένα εξάρτηματα για τις εργασίες τοποθέτησης. Η χρήση ελαττωματικών εξαρτημάτων ενδέχεται να προκαλέσει τραυματισμό ή διαρροή νερού λόγω πρόκλησης πυρκαγιάς, ηλεκτροπληξίας, πτώσης της μονάδας κ.λπ.
- Να αερίζετε το χώρο, σε περίπτωση διαρροής ψυκτικού κατά τη λειτουργία. Εάν το ψυκτικό έρθει σε επαφή με φλόγα, θα εκλυθούν δηλητηριώδη αέρια.
- Κατά την εκκένωση του ψυκτικού, σταματήστε το συμπιεστή πριν αποσυνδέσετε τις ψυκτικές σωληνώσεις. Ο συμπιεστής ενδέχεται να εκραγεί εάν μέσα του εισέλθει αέρας κτλ.
- Κατά την εγκατάσταση ή τη μετακίνηση του κλιματιστικού, χρησιμοποιείτε μονό το συνιστώμενο ψυκτικό (R410A) για την πλήρωση των γραμμών ψυκτικού. Μην το αναμιγνύετε με άλλο ψυκτικό μέσο και μην αφήνετε τον αέρα να παραμένει μέσα στις γραμμές. Εάν αναμιχθεί αέρας με το ψυκτικό, ενδέχεται να προκαλέσει ασυνήθιστα υψηλή πίεση στη γραμμή ψυκτικού, με ενδεχόμενο έκρηξης και άλλους κινδύνους. Η χρήση ψυκτικού διαφορετικού από αυτό που καθορίζεται για το σύστημα θα προκαλέσει μηχανική βλάβη ή δυσλειτουργία του συστήματος ή ζημιά στο σύστημα. Στη χειρότερη περίπτωση, μια τέτοια ενέργεια ενδέχεται να υπονομεύσει την ασφάλεια του προϊόντος.

- Να εκτελείτε τις εργασίες αποστράγγισης/σωλήνωσης σύμφωνα με το εγχειρίδιο εγκατάστασης. Εάν οι εργασίες σωλήνωσης/αποστράγγισης δεν εκτελεστούν σωστά, ενδέχεται να υπάρξει διαρροή νερού από τη μονάδα, με αποτέλεσμα να βραχούν και να υποστούν ζημιά τα αντικείμενα οικιακής χρήσης που υπάρχουν στο χώρο.
- Στερεώστε με ροπόκλειδο ένα παξιμάδι διεύρυνσης, όπως περιγράφεται σε αυτό το εγχειρίδιο. Εάν το σφίξετε υπερβολικά, μετά από μακρά χρονική περίοδο το παξιμάδι ενδέχεται να σπάσει προκαλώντας διαρροή ψυκτικού.

γο ή μια τέντα, μια βάση και/ή προστατευτικά πλαίσια.

- Τοποθετήστε τη μονάδα οριζοντίως.

⚠ Προσοχή:

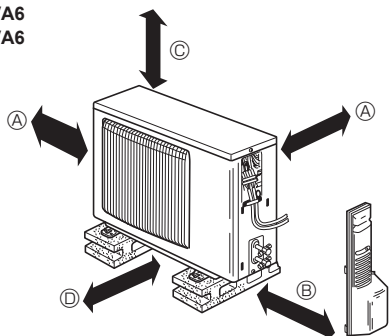
Να αποφεύγετε τα παρακάτω σημεία για την εγκατάσταση του κλιματιστικού διότι ενδέχεται να προκύψει πρόβλημα.

- Σε χώρους όπου υπάρχουν υπερβολικές ποσότητες λιπαντικών μηχανής.
- Σε περιβάλλον όπου υπάρχουν μεγάλες ποσότητες αλατιού, όπως οι παράκτιες περιοχές.
- Σε περιοχές όπου υπάρχουν θερμές πηγές.
- Σε περιοχές όπου υπάρχει θειούχο αέριο.
- Σε περιοχές όπου επικρατούν άλλες ειδικές συνθήκες στην ατμόσφαιρα.

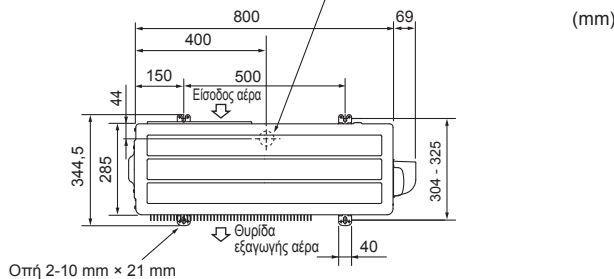
Η εξωτερική μονάδα παράγει συμπύκνωμα κατά τη διάρκεια της λειτουργίας θέρμανσης. Επιλέξτε το χώρο εγκατάστασης ώστε να διασφαλίσετε να μη βραχούν η εξωτερική μονάδα και/το πάτωμα από το νερό αποστράγγισης ή να καταστραφούν από το παγωμένο νερό αποστράγγισης.

3. Διάγραμμα εγκατάστασης

■ SUZ-KA25VA6 SUZ-KA35VA6



Οπή αποστράγγισης (ø42)
(Σε περίπτωση μοντέλων με
λειτουργίες θέρμανσης ø33)



■ SUZ-KA50VA6 SUZ-KA60VA6 SUZ-KA71VA6

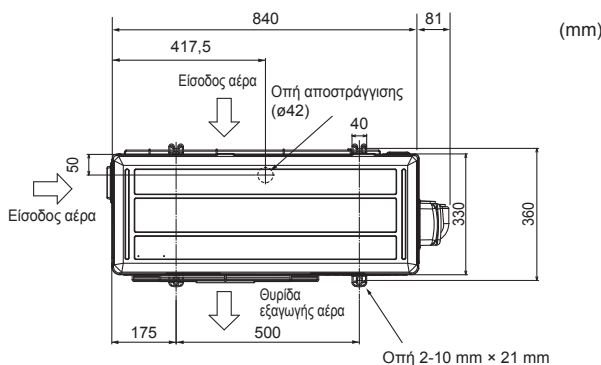
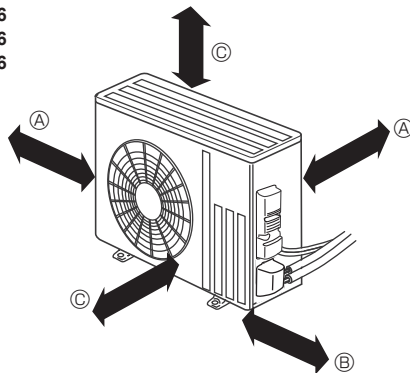


Fig. 3-1

3.1. Εξωτερική μονάδα (Fig. 3-1)

Χώρος εξαερισμού και επισκευών

■ SUZ-KA25VA6 SUZ-KA35VA6

- Ⓐ 100 mm ή περισσότερο
- Ⓑ 350 mm ή περισσότερο
- Ⓒ Κανονικά, τουλάχιστον 100 mm ελεύθερος χώρος χωρίς εμπόδια στην μπροστινή και στις δύο πλάιές πλευρές της μονάδας.
- Ⓓ 200 mm ή περισσότερο (Ανοίξτε δύο πλευρές, αριστερά, δεξιά ή πίσω.)

■ SUZ-KA50VA6 SUZ-KA60VA6 SUZ-KA71VA6

- Ⓐ 100 mm ή περισσότερο
- Ⓑ 350 mm ή περισσότερο
- Ⓒ 500 mm ή περισσότερο

Όταν η σωλήνωση πρόκειται να τοποθετηθεί σε τοίχο που περιέχει μέταλλο (είναι επικασσιτερωμένος) ή μεταλλικό πλέγμα, χρησιμοποιήστε ένα χημικά επεξεργασμένο κομμάτι από ξύλο, πάχους 20 mm ή περισσότερο, ανάμεσα στον τοίχο και τη σωλήνωση ή τυλίξτε 7 έως 8 φορές τη σωλήνωση με μονωτική ταινία βινυλίου.

Οι μονάδες θα πρέπει να εγκαθίστανται από εξουσιοδοτημένο εργολάβο, σύμφωνα με τους τοπικούς κανονισμούς.

Σημείωση:

Όταν το κλιματιστικό λειτουργεί σε χαμηλή εξωτερική θερμοκρασία, βεβαιωθείτε ότι ακολουθείτε τις παρακάτω οδηγίες.

- Ποτέ μην τοποθετείτε την εξωτερική μονάδα σε μέρος όπου η πλευρά εισόδου/εξόδου αέρα είναι άμεσα εκτεθειμένη στον άνεμο.
- Για να αποτρέψετε την έκθεση στον άνεμο, τοποθετήστε την εξωτερική μονάδα με την πλευρά εισόδου αέρα στραμμένη προς τον τοίχο.
- Για να αποτρέψετε την έκθεση στον άνεμο, συνιστάται η εγκατάσταση διαφράγματος στην πλευρά εξόδου αέρα της εξωτερικής μονάδας.

4. Σωληνώσεις αποστράγγισης για την εξωτερική μονάδα (Fig. 4-1)

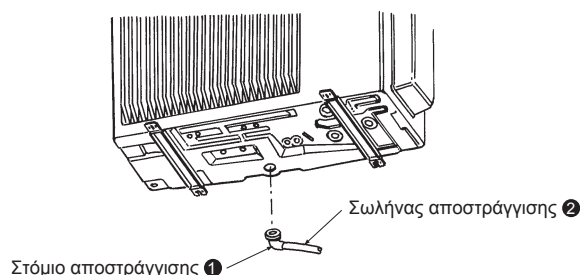


Fig. 4-1

4.1. Εξαρτήματα

Ελέγξτε τα παρακάτω αναφερόμενα εξαρτήματα πριν την εγκατάσταση.
<Εξωτερική μονάδα>

❶	Στόμιο αποστράγγισης	1
---	----------------------	---

- Τοποθετήστε σωληνώσεις αποστράγγισης πριν συνδέσετε τις σωληνώσεις σύνδεσης της εσωτερικής και εξωτερικής μονάδας. (Είναι δύσκολη η τοποθέτηση του στόμιου αποστράγγισης ❶ εάν εγκατασταθεί η σωλήνωση σύνδεσης της εσωτερικής και εξωτερικής μονάδας πριν από τη σωλήνωση αποστράγγισης, καθώς η εξωτερική μονάδα δεν θα μπορεί να μετακινηθεί.)
- Συνδέστε τον εύκαμπτο σωλήνα αποστράγγισης ❷ (διατίθεται στο εμπόριο, εσωτερική διάμετρος: 15 mm) όπως φαίνεται στην εικόνα, για αποστράγγιση.
- Βεβαιωθείτε ότι η σωλήνωση αποστράγγισης έχει κλίση προς τα κάτω για εύκολη ροή των υγρών αποστράγγισης.

Σημείωση:

Μην χρησιμοποιείτε το στόμιο αποστράγγισης ❶ σε ψυχρές περιοχές. Τα υγρά της αποστράγγισης ενδέχεται να ψυχθούν και να προκαλέσουν τη διακοπή της λειτουργίας του ανεμιστήρα.

5. Εργασίες στις σωληνώσεις ψυκτικού

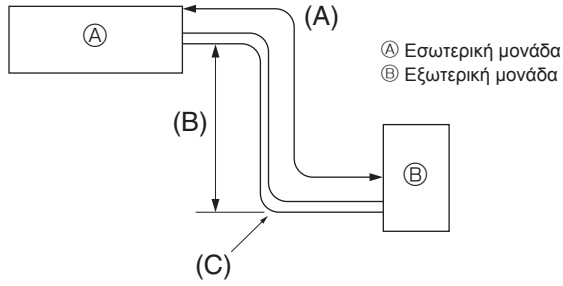


Fig. 5-1

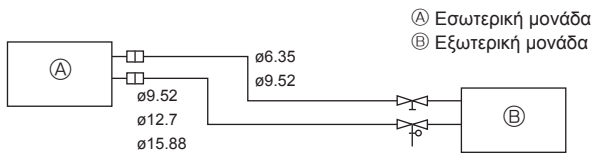


Fig. 5-2

5.1. Σωλήνες ψυκτικού (Fig. 5-1)

► Ελέγξτε ότι η υψομετρική διαφορά μεταξύ της εσωτερικής και της εξωτερικής μονάδας, το μήκος της σωληνώσεως για το ψυκτικό και ο αριθμός όπου κάμπτονται οι σωληνώσεις, βρίσκονται εντός των ορίων που καθορίζονται στον πίνακα πιο κάτω.

Μοντέλα	(Α) Μήκος σωληνώσεως (μία κατεύθυνση)	(Β) Υψομετρική διαφορά	(C) Αριθμός κάμψεων (μία κατεύθυνση)
SUZ-KA25/KA35	Μέγ. 20 m	Μέγ. 12 m	Μέγ. 10
SUZ-KA50/KA60/KA71	Μέγ. 30 m	Μέγ. 30 m	Μέγ. 10

- Οι περιορισμοί στην υψομετρική διαφορά είναι δεσμευτικοί ανεξάρτητα από το ποια μονάδα, εσωτερική ή εξωτερική, τοποθετείται υψηλότερα.
- Προσθήκη ψυκτικού... Εάν το μήκος της σωληνώσεως ξεπερνά τα 7 m απαιτείται πρόσθετο ψυκτικό φορτίο (R410A).
(Η εξωτερική μονάδα φορτώνεται με ψυκτικό για σωλήνα μήκους μέχρι 7 m.)

Μήκος σωληνώσεως	μέχρι 7 m	Δεν απαιτείται πρόσθετη φόρτωση.
	πάνω από 7 m	Απαιτείται πρόσθετη φόρτωση. (Αναφερθείτε στον παρακάτω πίνακα.)
Ψυκτικό που πρέπει να προστεθεί	SUZ-KA25/KA35 τύπο	30 g × (Μήκος ψυκτικών σωληνώσεων (m) - 7)
	SUZ-KA50/KA60 τύπο	20 g × (Μήκος ψυκτικών σωληνώσεων (m) - 7)
	SUZ-KA71 τύπο	55 g × (Μήκος ψυκτικών σωληνώσεων (m) - 7)

(1) Ο παρακάτω πίνακας παρουσιάζει τις προδιαγραφές των αγωγών που διατίθενται στο εμπόριο.

Μοντέλα	Σωλήνες	Εξωτερική διάμετρος		Ελάχιστο πάχος τοίχου	Πάχος μονώσεως	Μονωτικό υλικό
		mm	ίντσα			
SUZ-KA25	Για υγρό	6,35	1/4	0,8 mm	8 mm	Θερμοανθεκτικός πλαστικός αφρός Ειδική βαρύτητα 0,045
	Για αέριο	9,52	3/8	0,8 mm	8 mm	
SUZ-KA35	Για υγρό	6,35	1/4	0,8 mm	8 mm	
	Για αέριο	9,52	3/8	0,8 mm	8 mm	
SUZ-KA50	Για υγρό	6,35	1/4	0,8 mm	8 mm	
	Για αέριο	12,7	1/2	0,8 mm	8 mm	
SUZ-KA60	Για υγρό	6,35	1/4	0,8 mm	8 mm	
	Για αέριο	15,88	5/8	0,8 mm	8 mm	
SUZ-KA71	Για υγρό	9,52	3/8	0,8 mm	8 mm	
	Για αέριο	15,88	5/8	1,0 mm	8 mm	

- (2) Βεβαιωθείτε ότι οι δύο ψυκτικές σωληνώσεις είναι καλά μονωμένες ώστε να αποφύγετε συμπυκνώσεις.
- (3) Η ακτίνα καμπυλώσεως των ψυκτικών σωληνώσεων πρέπει να είναι 100 mm ή περισσότερο.

⚠ Προσοχή:

Χρησιμοποιήστε μόνωση του καθορισμένου πάχους. Η χρήση μόνωσης υπερβολικού πάχους δεν επιτρέπει την αποθήκευση της σωληνώσεως πίσω από την εσωτερική μονάδα, ενώ η χρήση μόνωσης πολύ μικρού πάχους δημιουργεί υδρατμούς.

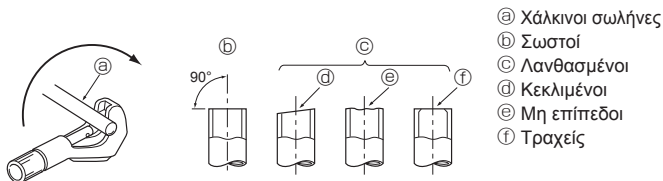


Fig. 5-3

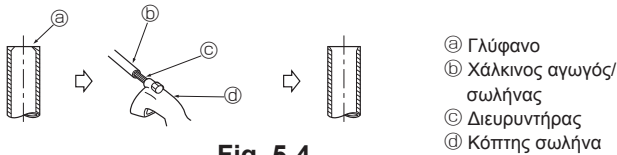


Fig. 5-4



Fig. 5-5

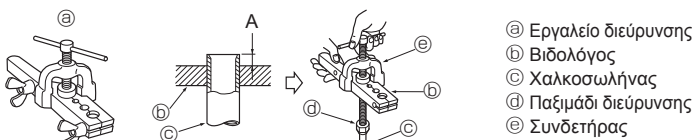


Fig. 5-6

5.2. Εργασίες διεύρυνσης

- Η κυριότερη αιτία για τη διαρροή αερίου είναι κάποιο ελάττωμα στη διεύρυνση. Για να διενεργήσετε σωστή διεύρυνση, ακολουθήστε την παρακάτω διαδικασία.

5.2.1. Κοπή αγωγών (Fig. 5-3)

- Χρησιμοποιώντας κόπτη αγωγών, κόψτε σωστά το χάλκινο αγωγό.

5.2.2. Αφαίρεση ανωμαλιών (Fig. 5-4)

- Αφαιρέστε πλήρως όλες τις ανωμαλίες από το σημείο διατομής αγωγού/σωλήνα.
- Τοποθετήστε το άκρο του χάλκινου αγωγού/σωλήνα προς τα κάτω, καθώς αφαιρείτε τις ανωμαλίες, για να αποφύγετε την πτώση των ρινισμάτων στη σωληνώση.

5.2.3. Τοποθέτηση του παξιμαδιού (Fig. 5-5)

- Αφαιρέστε τα παξιμάδια διεύρυνσης που έχουν προσαρτηθεί στην εσωτερική και την εξωτερική μονάδα και τοποθετήστε τα στον αγωγό/σωλήνα, αφού τον λειάνετε πλήρως. (είναι αδύνατη η τοποθέτηση μετά την εργασία διεύρυνσης)

5.2.4. Διεύρυνση (Fig. 5-6)

- Όλες οι εργασίες διεύρυνσης θα πρέπει να γίνουν με τη χρήση του εργαλείου, όπως φαίνεται δεξιά.

Διάμετρος σωλήνα (mm)	Διάσταση	
	A (mm)	B ⁺⁰ _{-0,4} (mm)
	Όταν χρησιμοποιείται το εργαλείο για R410A	
	Τύπος συμπλέκτη	
6,35	0 - 0,5	9,1
9,52	0 - 0,5	13,2
12,7	0 - 0,5	16,6
15,88	0 - 0,5	19,7

Συγκρατήστε στέρεα το χαλκοσωλήνα σε έναν βιδολόγο των διαστάσεων που παρουσιάζονται στον παραπάνω πίνακα.

5. Εργασίες στις σωληνώσεις ψυκτικού

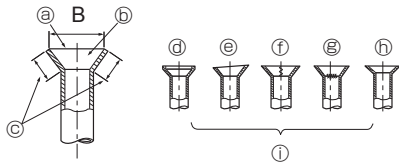


Fig. 5-7

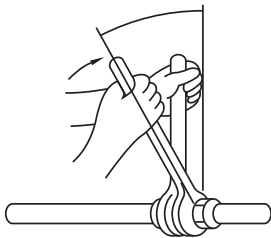


Fig. 5-8

5.2.5. Ελέγξτε τα παρακάτω (Fig. 5-7)

- Συγκρίνετε τις εργασίες διεύρυνσης με την εικόνα στη δεξιά πλευρά.
- Εάν υπάρχει κάποιο ελάττωμα στη διεύρυνση, αποκόψτε το διευρυμένο τμήμα και επαναλάβετε τη διεύρυνση.

- Ⓐ Αειάνετε την περιφέρεια
- Ⓒ Αποκαταστήστε ίσο μήκος σε όλη την περιφέρεια
- Ⓓ Υπερβολικό
- Ⓔ Κεκλιμμένοι
- Ⓕ Αμυχή στο πεδίο διεύρυνσης
- Ⓖ Ραγισμένοι
- Ⓗ Μη επίπεδοι
- Ⓘ Κακά παραδείγματα

- Απλώστε ένα λεπτό στρώμα ψυκτικού λιπαντικού στην επιφάνεια έδρασης του αγωγού. (Fig. 5-8)
- Για να κάνετε τη σύνδεση, πρώτα ευθυγραμμίστε το κέντρο και έπειτα σφίξτε τις πρώτες 3 έως 4 στροφές του παξιμαδιού διεύρυνσης.
- Χρησιμοποιήστε τον πίνακα ροπών στρέψης ως οδηγό για το πλευρικό τμήμα συνδέσεων της εσωτερικής μονάδας και σφίξτε, χρησιμοποιώντας δύο κλειδιά. Εάν σφιχτεί υπερβολικά, θα προκληθεί βλάβη στο τμήμα διεύρυνσης.

Διάμετρος χαλκοσωλήνα (mm)	Διάμετρος περικοχλίου εκχείλωσης (mm)	Ροπή σύσφιξης (N·m)
ø6,35	17	14 - 18
ø9,52	22	34 - 42
ø12,7	26	49 - 61
ø15,88	29	68 - 82

⚠ Προειδοποίηση:

Κατά την εγκατάσταση της μονάδας, συνδέστε με ασφάλεια τους ψυκτικούς σωλήνες πριν θέσετε σε λειτουργία το συμπιεστή.

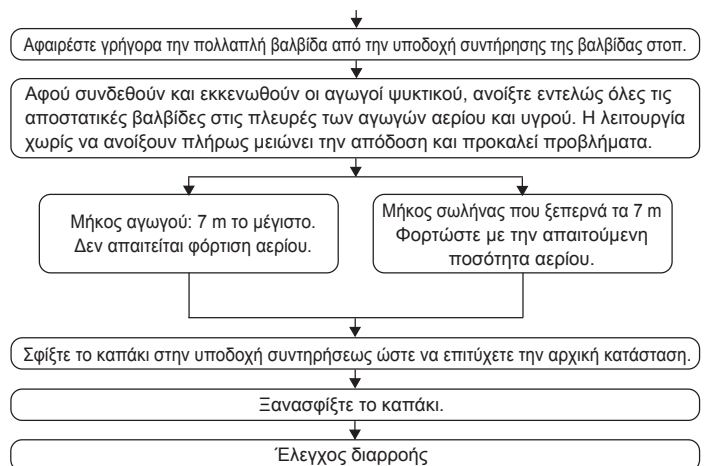
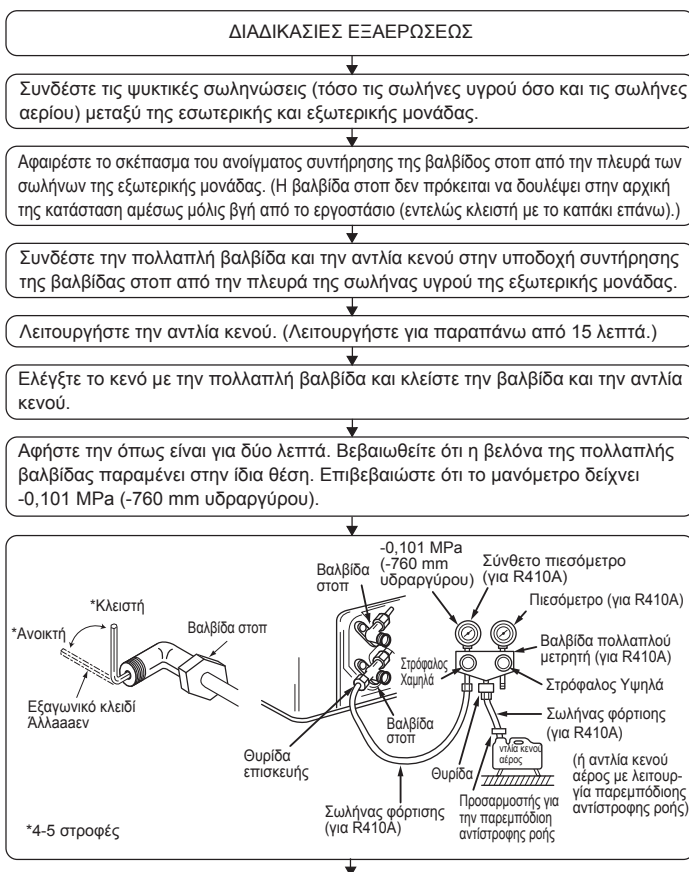
⚠ Προειδοποίηση:

Προσέξτε το παξιμάδι διεύρυνσης! (Συμπίεζεται εσωτερικά)

Αφαιρέστε το παξιμάδι διεύρυνσης ως εξής:

1. Ξεβιδώστε το παξιμάδι, ωστόσο να ακούσετε έναν συρικό ήχο.
2. Μην αφαιρέσετε το παξιμάδι ωστόσο να ελευθερωθεί πλήρως το αέριο (δηλαδή ωστόσο να σταματήσει ο συρικός ήχος).
3. Βεβαιωθείτε ότι το αέριο έχει ελευθερωθεί πλήρως και έπειτα αφαιρέστε το παξιμάδι.

5.5. Δοκιμή διαρροών στις διαδικασίες καθαρισμού



6. Ηλεκτρικές εργασίες

6.1. Εξωτερική μονάδα (Fig. 6-1, Fig. 6-2, Fig. 6-3, Fig. 6-4)

- ① Βγάλτε το καπάκι συντήρησης.
- ② Συνδέστε τα καλώδια σύμφωνα με τις Fig. 6-1, Fig. 6-2, Fig. 6-3 και Fig. 6-4.

■ SUZ-KA25/35/50VA6

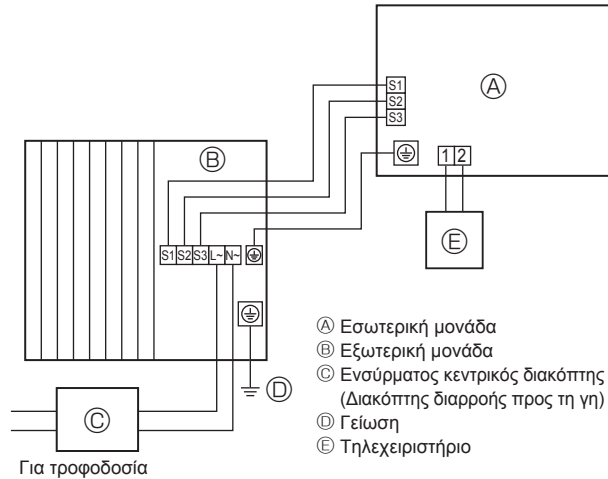
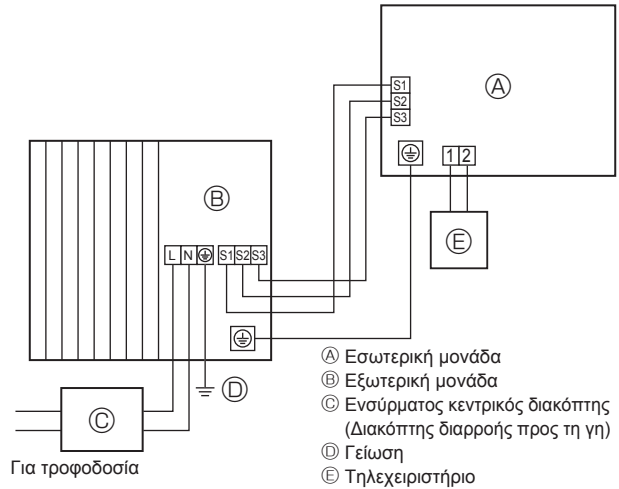


Fig. 6-1

■ SUZ-KA60/71VA6



Καπάκι ηλεκτρικών μερών

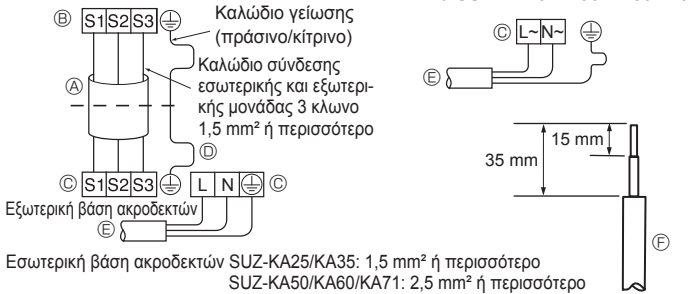


Fig. 6-2

■ SUZ-KA25/35VA6

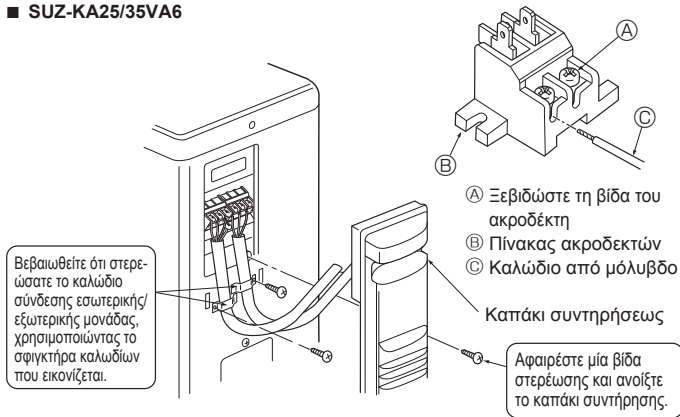


Fig. 6-3

■ SUZ-KA50/60/71VA6

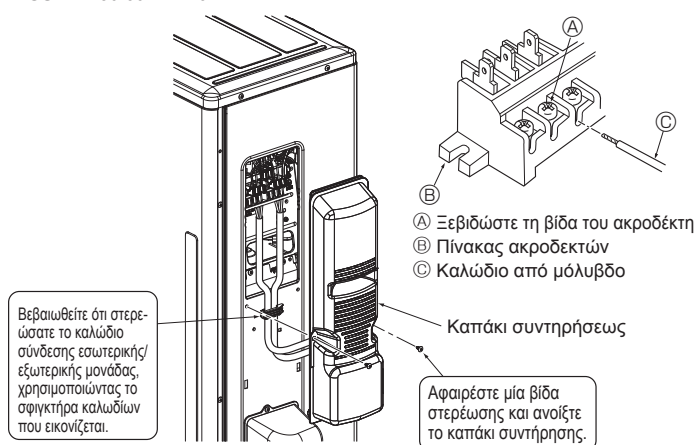


Fig. 6-4

- Εκτελέστε την καλωδίωση, όπως φαίνεται στο διάγραμμα κάτω αριστερά. (Προμηθευτείτε το καλώδιο επί τόπου) (Fig. 6-2)
- Βεβαιωθείτε ότι χρησιμοποιείται αποκλειστικά καλώδια με τη σωστή πολικότητα.
 - Α Καλώδιο σύνδεσης
 - Β Πίνακας ακροδεκτών εσωτερικής μονάδας
 - Γ Πίνακας ακροδεκτών εξωτερικής μονάδας
 - Δ Πάντα να τοποθετείτε καλώδιο γείωσης μεγαλύτερου μήκους από τα υπόλοιπα καλώδια.
 - Ε Καλώδιο ρεύματος
 - Ε Καλώδιο από μολύβδο

- Το καλώδιο γείωσης θα πρέπει να είναι λίγο μακρύτερο από τα υπόλοιπα. (Περισσότερο από 100 mm)
- Αφήστε μεγαλύτερο μήκος στα καλώδια σύνδεσης, για μελλοντική συντήρηση.
- Βεβαιωθείτε ότι έχετε στερεώσει όλες τις βίδες στους αντίστοιχους ακροδέκτες όταν στερεώνετε το σύρμα και/ή το καλώδιο στον πίνακα ακροδεκτών.

- Συνδέστε σωστά τα καλώδια από την εσωτερική μονάδα στο κιβώτιο ακροδεκτών.
- Χρησιμοποιήστε το ίδιο κιβώτιο ακροδεκτών και την ίδια πολικότητα με την εσωτερική μονάδα.
- Για τη μετέπειτα συντήρηση, δώστε επιπλέον μήκος στο καλώδιο σύνδεσης.

- Και τα δύο άκρα του καλωδίου σύνδεσης (καλώδιο προέκτασης) γυμνώνονται. Όταν είναι υπερβολικά μακρύ ή συνδεθεί με κοπή στο μέσο, γυμνώστε το καλώδιο παροχής ρεύματος στο μήκος που φαίνεται στην εικόνα.
- Προσέξτε ώστε το καλώδιο να μην έλθει σε επαφή με τη σωλήνωση.

⚠ Προσοχή:

- Προσέξτε να μην κάνετε κακή σύνδεση των καλωδίων.
- Σφίξτε καλά τις βίδες των ακροδεκτών, ώστε να μην χαλαρώνουν.
- Αφού τις σφίξτε, τραβήξτε ελαφρά τα καλώδια για να μην κινούνται.

⚠ Προειδοποίηση:

- Φροντίστε να στερεώσετε καλά τον πίνακα σέρβις της εξωτερικής μονάδας. Εάν η σύνδεση είναι λανθασμένη, θα μπορούσε να προκληθεί πυρκαγιά ή ηλεκτροπληξία, λόγω εισόδου σκόνης, νερού κ.λπ.
- Σφίξτε καλά τις βίδες των ακροδεκτών.
- Η καλωδίωση θα πρέπει να γίνει έτσι ώστε οι αγωγοί ρεύματος να μην υφίστανται έλξη. Διαφορετικά, ενδέχεται να εκλυθεί θερμότητα ή να εκδηλωθεί πυρκαγιά.

6. Ηλεκτρικές εργασίες

6.2. Ηλεκτρικά καλώδια που πρέπει να προμηθευτείτε

Μοντέλο εξωτερικής μονάδας	SUZ-KA25/KA35	SUZ-KA35 *3	SUZ-KA50/KA60/KA71	
Τροφοδοσία εξωτερικής μονάδας	~N (μονοφασικό), 50 Hz, 230 V	~N (μονοφασικό), 50 Hz, 230 V	~N (μονοφασικό), 50 Hz, 230 V	
Ρεύμα εισόδου του διακόπτη κυκλώματος (ασφαλειοδιακόπτης) εξωτερικής μονάδας	*1	10 A	16 A	
Αρ. καλωδίων x μέγεθος (mm ²)	Τροφοδοσία εξωτερικής μονάδας	2 × 1,5 Ελάχιστο	2 × 2,0 Ελάχιστο	2 × 2,5 Ελάχιστο
	Γείωση εξωτερικής μονάδας	1 × 1,5 Ελάχιστο	1 × 2,0 Ελάχιστο	1 × 2,5 Ελάχιστο
	Εσωτερική μονάδα-Εξωτερική μονάδα	3 × 1,5 (πολικό)	3 × 1,5 (πολικό)	3 × 1,5 (πολικό)
	Εσωτερική μονάδα-Γείωση εξωτερικής μονάδας	1 × 1,5 Ελάχιστο	1 × 1,5 Ελάχιστο	1 × 1,5 Ελάχιστο
Ονομαστική ισχύς κυκλώματος	Εξωτερική μονάδα L-N	*2	230 VAC	230 VAC
	Εσωτερική μονάδα-Εξωτερική μονάδα S1-S2	*2	230 VAC	230 VAC
	Εσωτερική μονάδα-Εξωτερική μονάδα S2-S3	*2	12 VDC – 24 VDC	12 VDC – 24 VDC

*1. Πρέπει να τοποθετηθεί ένας διακόπτης με τουλάχιστον 3 mm διάκενο επαφών σε κάθε πόλο. Χρησιμοποιήστε διακόπτη διαρροής προς γη (NV).

Βεβαιωθείτε ότι ο διακόπτης διαρροής είναι συμβατός με υψηλές συχνότητες.

Πάντα να χρησιμοποιείτε διακόπτη διαρροής συμβατό με υψηλές συχνότητες καθώς αυτή η μονάδα είναι εξοπλισμένη με αναστροφή.

Η χρήση ανεπαρκούς διακόπτη ενδέχεται να οδηγήσει σε λανθασμένη λειτουργία του αναστροφέα.

*2. Οι τιμές ΔΕΝ λαμβάνονται ως προς τη γείωση.

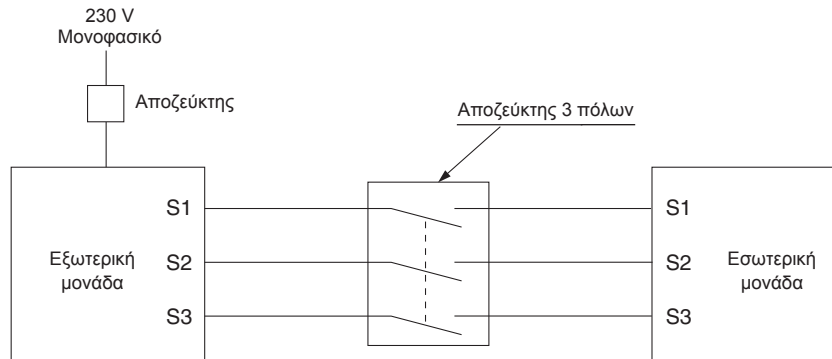
Ο ακροδέκτης S3 έχει 24 VDC έναντι του ακροδέκτη S2. Ωστόσο, μεταξύ των ακροδεκτών S3 και S1, ΔΕΝ υπάρχει ηλεκτρική μόνωση από το μετασχηματιστή ή άλλη συσκευή.

*3. Σε περίπτωση συνδυασμού σειράς PEAD-RP35JA.

Σημειώσεις: 1. Το μέγεθος των καλωδίων πρέπει να πληροί τους ισχύοντες τοπικούς και εθνικούς κανονισμούς.

2. Τα καλώδια τροφοδοσίας και τα καλώδια σύνδεσης εσωτερικής μονάδας/εξωτερικής μονάδας δεν πρέπει να είναι ελαφρύτερα από το εύκαμπτο καλώδιο με περίβλημα πολυχλωροπρενίου. (Πρότυπο 60245 IEC 57)

3. Το καλώδιο γείωσης πρέπει να είναι μακρύτερο από τα άλλα καλώδια.



⚠ Προειδοποίηση:

Υπάρχει κίνδυνος υψηλής τάσης στο τερματικό S3 που προκαλείται όταν το ηλεκτρικό κύκλωμα δεν παρέχει μόνωση μεταξύ της γραμμής τροφοδοσίας και της γραμμής μετάδοσης σήματος. Επομένως, στη διάρκεια συντήρησης ή επισκευών, αποσυνδέστε την κύρια πηγή τροφοδοσίας. Μην αγγίζετε τα τερματικά S1, S2, S3 όταν επανέλθει η τροφοδοσία. Αν πρέπει να χρησιμοποιηθεί αποζεύκτης μεταξύ εσωτερικής μονάδας και εξωτερικής μονάδας, συνιστάται να είναι τριπολικού τύπου.

Ποτέ μη συγκολλήσετε το καλώδιο τροφοδοσίας ή το καλώδιο σύνδεσης εσωτερικής-εξωτερικής μονάδας, διαφορετικά μπορεί να προκληθεί καπνός, πυρκαγιά ή σφάλμα επικοινωνίας.

7. Συντήρηση

7.1. Ποσότητα αερίου (Fig. 7-1)

1. Συνδέστε τον κύλινδρο αερίου στη θύρα επισκευών της βαλβίδας διακοπής (3 δρόμων).
2. Εξαερώστε το σωλήνα (ή τον εύκαμπτο σωλήνα) που βγαίνει από τον κύλινδρο αερίου.
3. Γεμίστε συγκεκριμένη ποσότητα ψυκτικού, ενόσω το κλιματιστικό μηχάνημα βρίσκεται στη λειτουργία ψύξης.

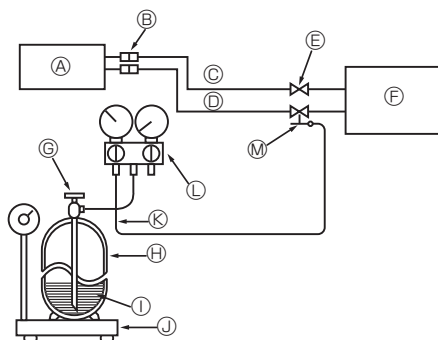
Σημείωση:

Στην περίπτωση που θα προσθέσετε ψυκτικό μέσο, να τηρήσετε την ποσότητα που προσδιορίζεται για τον ψυκτικό κύκλο.

⚠ Προσοχή:

- Μην αφήνετε το ψυκτικό να εκφορτιστεί στην ατμόσφαιρα. Προσέξτε να μην εκφορτιστεί ψυκτικό στην ατμόσφαιρα κατά την εγκατάσταση, την επανεγκατάσταση ή στη διάρκεια επισκευών στο κύκλωμα ψυκτικού.
- Για επιπρόσθετη φόρτιση, αλλάξτε το ψυκτικό από τη φάση υγρού του κυλίνδρου αερίου. Εάν το ψυκτικό φορτιστεί ενώ βρίσκεται στη φάση αερίου, μπορεί να πραγματοποιηθεί αλλοίωση στη σύνθεση του ψυκτικού που ήδη βρίσκεται μέσα στον κύλινδρο και στην εξωτερική μονάδα. Στην περίπτωση αυτή, η ικανότητα του κύκλου ψύξης μειώνεται, διαφορετικά δεν είναι δυνατή η ομαλή λειτουργία. Εν τούτοις, συμπληρώνοντας το υγρό ψυκτικό όλο μονομιάς μπορεί να φράξει το συμπιεστή. Γι' αυτό συμπληρώστε το ψυκτικό σιγά-σιγά.

Κατά την διάρκεια των ψυχρών μηνών για να διατηρήσετε την υψηλή πίεση στον κύλινδρο αερίου, ζεστάνετε τον με χλιαρό νερό (κάτω των 40°C). Ποτέ όμως μην χρησιμοποιήσετε φωτιά ή ατμό.



- | | |
|---|---|
| Ⓐ Εσωτερική μονάδα | Ⓔ Ψυκτικός κύλινδρος αερίου R410A με σιφόν |
| Ⓑ Ένωση | Ⓛ Ψυκτικό (υγρό) |
| Ⓒ Σωλήνας υγρού | Ⓜ Ηλεκτρονική κλίμακα για την τροφοδοσία ψυκτικού |
| Ⓓ Σωλήνας αερίου | Ⓝ Λάστιχο φόρτισης (για R410A) |
| Ⓔ Βαλβίδα στόπ | Ⓟ Μετρητής πολλαπλών δίοδων (για R410A) |
| Ⓕ Εξωτερική μονάδα | Ⓠ Άνοιγμα συντήρησης |
| Ⓖ Βαλβίδα λειτουργίας αερίου του ψυκτικού κυλίνδρου | |

Fig. 7-1

8. Συμπίεση

Όταν πρόκειται να αλλάξετε θέση ή να πετάξετε το κλιματιστικό, συμπιέστε το σύστημα ακολουθώντας την παρακάτω διαδικασία έτσι ώστε να μην απελευθερωθεί ψυκτικό στην ατμόσφαιρα.

- ① Απενεργοποιήστε την παροχή ρεύματος (διακόπτης κυκλώματος).
- ② Συνδέστε τη βαλβίδα του πολλαπλού μετρητή στη θύρα συντήρησης της ανασταλτικής βαλβίδας στην πλευρά του σωλήνα αερίου της εξωτερικής μονάδας.
- ③ Κλείστε πλήρως την ανασταλτική βαλβίδα στην πλευρά του σωλήνα ψυκτικού υγρού της εξωτερικής μονάδας.
- ④ Ενεργοποιήστε την παροχή ρεύματος (διακόπτης κυκλώματος).
- ⑤ Εκτελέστε τη διαδικασία συλλογής ψυκτικού υγρού (δοκιμαστική λειτουργία ψύξης).
 - Για το μοντέλο PAR-31MAA, επιλέξτε "Service" → "TestRun" από το κύριο μενού, για να ξεκινήσει η δοκιμαστική λειτουργία και, στη συνέχεια, επιλέξτε τη λειτουργία ψύξης.
 - Για λεπτομέρειες ή άλλες πληροφορίες σχετικά με την έναρξη της δοκιμαστικής λειτουργίας με τη χρήση τηλεχειριστηρίων, ανατρέξτε στο εγχειρίδιο εγκατάστασης της εσωτερικής μονάδας ή του τηλεχειριστηρίου.
- ⑥ Κλείστε πλήρως τη βαλβίδα στοπ στην πλευρά σωλήνα αερίου της εξωτερικής μονάδας όταν το πιεσόμετρο δείξει 0,05 έως 0 MPa [Μετρητής] (περίπου 0,5 έως 0 kgf/cm²) και διακόψτε γρήγορα τη λειτουργία του κλιματιστικού.
 - Πιέστε το κουμπί "ON/OFF" στο τηλεχειριστήριο, για να διακόψετε τη λειτουργία του κλιματιστικού.
 - * Λάβετε υπόψη σας ότι όταν οι σωληνώσεις επέκτασης είναι πολύ μακριές και έχουν μεγάλες ποσότητες ψυκτικού υγρού, ενδέχεται να μην είναι δυνατή η εκτέλεση της διαδικασίας εκκένωσης. Σε αυτήν την περίπτωση, χρησιμοποιήστε εξοπλισμό ανάκτησης ψυκτικού υγρού, για να συλλέξετε όλο το ψυκτικό υγρό του συστήματος.

- ⑦ Απενεργοποιήστε την παροχή ρεύματος (διακόπτης κυκλώματος), αφαιρέστε το μετρητή πολλαπλών διόδων και, στη συνέχεια, αποσυνδέστε τους σωλήνες ψυκτικού.

⚠ Προειδοποίηση:

Κατά την εκκένωση του ψυκτικού, σταματήστε το συμπιεστή πριν αποσυνδέσετε τους σωλήνες ψυκτικού.

- Αν οι σωλήνες ψυκτικού αποσυνδεθούν ενώ λειτουργεί ο συμπιεστής και η βαλβίδα διακοπής (σφαιρική βαλβίδα) είναι ανοιχτή, η πίεση του κύκλου ψύξης μπορεί να φτάσει σε πολύ υψηλά επίπεδα καθώς εισέρχεται ο αέρας, γεγονός που μπορεί να προκαλέσει έκρηξη των σωλήνων, τραυματισμό κ.τ.λ.

9. Προδιαγραφές

Μοντέλο εξωτερικής μονάδας		SUZ-KA25VA6.TH	SUZ-KA35VA6.TH	SUZ-KA50VA6.TH	SUZ-KA60VA6.TH	SUZ-KA71VA6.TH	
Παροχή ρεύματος		Μονοφασική 230 V, 50 Hz					
Διαστάσεις Π × Υ × Β		800 × 550 × 285			840 × 880 × 330		
Βάρος		kg	30	35	54	50	53
Στάθμη θορύβου *1	Ψύξη	dB (A)	47	49	52	55	
	Θέρμανση		48	50	52	55	

*1 Μέτρηση υπό ονομαστική συχνότητα λειτουργίας.

1. Por motivos de segurança, observe sempre o seguinte	51	6. Trabalho de electricidade	55
2. Selecção do local de instalação	51	7. Manutenção	56
3. Diagrama de instalação	52	8. Bombagem	57
4. Tubagem de drenagem da unidade exterior	52	9. Especificações	57
5. Instalação da tubagem do refrigerante	53		

1. Por motivos de segurança, observe sempre o seguinte

- Providencie um circuito exclusivo para o aparelho de ar condicionado e não ligue outros aparelhos a ele.
- Leia a secção “Por razões de segurança, observe sempre o seguinte” antes de instalar o ar condicionado.
- Observe os cuidados aqui especificados, dado incluírem itens importantes relativos à segurança.
- As indicações e o seu significado são como segue.

⚠ Aviso:

Pode causar a morte, ferimentos graves, etc.

⚠ Aviso:

- Não o instale você mesmo (cliente).
Uma instalação incompleta poderia causar ferimentos devido a incêndio, choques eléctricos, queda da unidade ou fuga de água. Consulte o concessionário que lhe vendeu a unidade ou um instalador especial.
- Este aparelho destina-se a ser utilizado por utilizadores experientes ou formados em fábricas, indústrias ligeiras ou explorações, ou para uso comercial por leigos.
- Instale bem a unidade num lugar capaz de sustentar o seu peso.
Quando instalada num lugar insuficientemente sólido, a unidade pode cair e causar ferimentos.
- Utilize os fios especificados para ligar de maneira segura as unidades interiores e exteriores e ligue bem os fios às secções de ligação do quadro terminal, de modo que a tensão dos fios não seja aplicada às secções.
Uma ligação e fixação incompletas poderiam causar incêndio.
- Não utilize uma ligação intermédia do cabo de corrente nem uma extensão.
Não ligue muitos aparelhos à mesma tomada CA.
Pode causar incêndio ou choques eléctricos devido a um contacto defeituoso, a uma isolamento deficiente, ao excesso da corrente permitível, etc.
- Terminada a instalação, verifique que não haja fuga de gás refrigerante.
- Execute a instalação da melhor maneira, referindo-se ao manual de instalação.
Uma instalação incompleta causaria ferimentos pessoais devidos a incêndio, choques eléctricos, queda da unidade ou fuga de água.
- Utilize apenas os cabos eléctricos indicados. As ligações devem ser efectuadas de modo seguro e sem tensão nos terminais. Do mesmo modo, nunca una os cabos para ligação (salvo especificado em contrário neste documento). A inobservância destas instruções pode resultar num sobreaquecimento ou num incêndio.
- Realize o trabalho eléctrico de acordo com o manual de instalação e utilize um circuito exclusivo.

⚠ Cuidado:

- Execute a ligação à terra.
Não ligue o fio de terra a nenhum tubo de gás, água, pára-raios ou fio de terra de telefone. Uma ligação à terra defeituosa poderia haver choques eléctricos.
- Não instale a unidade num lugar onde haja fugas de gás inflamável.
Em caso de fugas e acumulação de gás na água envolvente da unidade, pode causar explosão.
- Instale um disjuntor de fugas do fio de terra em função do local de instalação (onde for húmido).
Se não for instalado nenhum disjuntor, pode haver choques eléctricos.

⚠ Cuidado:

Pode causar ferimentos graves, principalmente em ambientes especiais, se for utilizado incorrectamente.

- Depois de ler o presente manual, guarde-o juntamente com o manual de instruções num local prático do lado do cliente.

⚡ : Indica uma peça a ligar à terra.

⚠ Aviso:

Leia atentamente os rótulos afixados na unidade principal.

Se a capacidade do circuito eléctrico for insuficiente ou o trabalho eléctrico incompleto, pode haver incêndio ou choques eléctricos.

- Instale de maneira segura a tampa da parte eléctrica na unidade interior e o painel de serviço na unidade exterior.
Se a tampa da parte eléctrica da unidade interior e/ou o painel de serviço da unidade exterior não estiverem bem fixos, pode haver incêndio ou choques eléctricos devidos à poeira, água, etc.
- Utilize a peça fornecida ou as peças especificadas no trabalho de instalação.
A utilização de peças defeituosas poderia causar ferimentos ou fuga de água devido a incêndio, choques eléctricos, queda da unidade, etc.
- Caso exista uma fuga de refrigerante durante o funcionamento, ventile a sala.
Caso o refrigerante entre em contacto com uma chama, serão libertados gases tóxicos.
- Quando proceder à bombagem do refrigerante, desligue o compressor antes de desligar os tubos de refrigerante. O compressor pode rebentar se ar etc. entrar nele.
- Ao instalar ou mudar o aparelho de ar condicionado de sítio, utilize apenas o refrigerante especificado (R410A) para carregar as linhas de refrigerante. Não o misture com qualquer outro refrigerante e assegure-se de que não fica ar nas linhas.
Se o ar for misturado com o refrigerante, tal pode causar uma pressão alta anómala na linha do refrigerante, o que pode resultar numa explosão e outros perigos.
O uso de qualquer refrigerante diferente do especificado para o sistema causará uma falha mecânica ou avaria do sistema ou falta da unidade. No pior dos casos, isto pode comprometer seriamente a segurança do produto.

- Execute com segurança o trabalho de drenagem/tubagem de acordo com o manual de instalação.
Se houver qualquer defeito no trabalho de drenagem/tubagem, pode pingar água da unidade e molhar e danificar o mobiliário.
- Aperte a porca de dilatação com uma chave de binário como especificado neste manual.
Se for apertada demais, a porca de dilatação pode-se partir depois de um longo período e provocar fuga de refrigerante.

2. Selecção do local de instalação

2.1. Unidade exterior

- Onde a unidade não fique exposta a ventos fortes.
- Onde o fluxo de ar seja bom e sem poeira.
- Onde a unidade não fique exposta à chuva e luz directa do sol.
- Onde os vizinhos não sejam perturbados pelo som de operação ou ar quente.
- Onde haja uma parede ou suporte rígido para evitar o aumento do som da operação ou vibração.
- Onde não haja risco de fuga de combustível ou gás.
- Ao instalar a unidade num nível alto, fixe os apoios da unidade.
- Onde fique a pelo menos 3 m de distância de um televisor ou de um rádio. (Se não, poderia afectar a qualidade das imagens ou gerar ruídos.)
- Instale-o numa área não sujeita à queda de neve ou a vento gelado. Nas áreas sujeitas a fortes nevões, instale um resguardo, um pedestal e/ou algumas divisórias.
- Instale a unidade horizontalmente.

⚠ Cuidado:

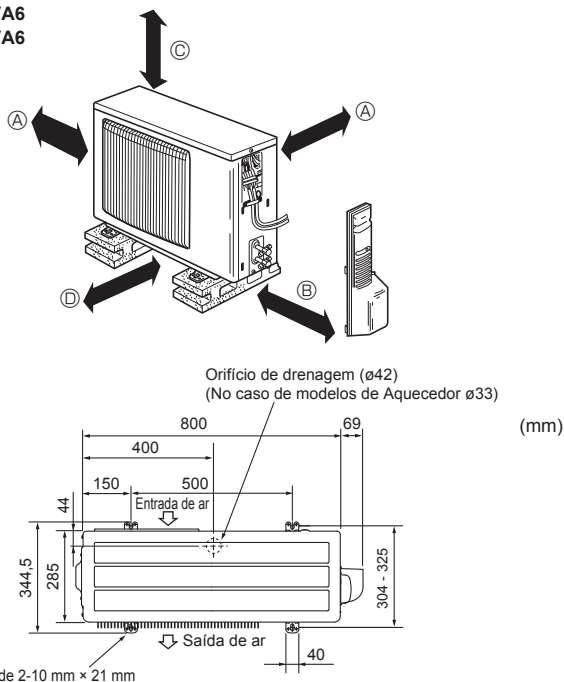
Evite os seguintes lugares para instalação, propensos a causar problemas com o aparelho de ar condicionado.

- Onde haja muito óleo de máquina.
- Ambientes salgados como em áreas a beira-mar.
- Áreas de estações térmicas.
- Onde existe gás sulfuroso.
- Outras áreas atmosféricas especiais.

A unidade exterior produz condensação durante a operação de aquecimento. Selecione o local de instalação de forma a evitar que a unidade exterior e/ou o chão fiquem húmidos devido à água de drenagem ou danificados por água de drenagem congelada.

3. Diagrama de instalação

■ SUZ-KA25VA6 SUZ-KA35VA6



■ SUZ-KA50VA6 SUZ-KA60VA6 SUZ-KA71VA6

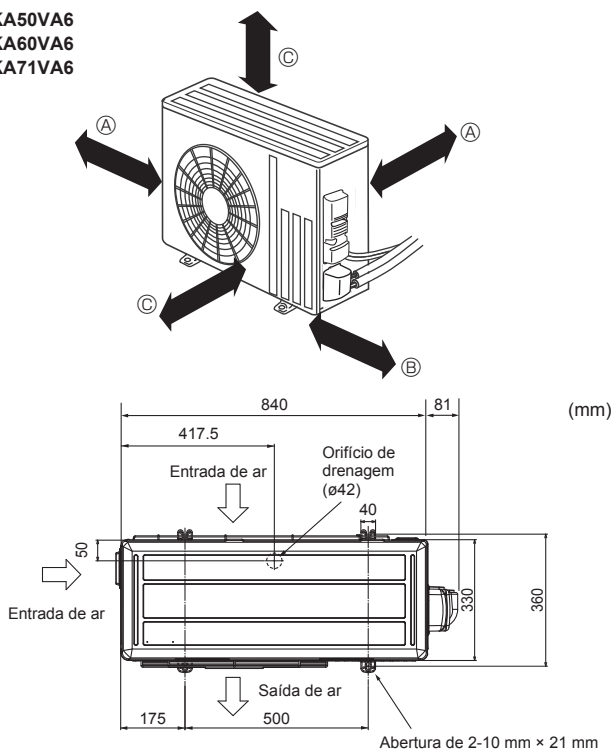


Fig. 3-1

3.1. Unidade exterior (Fig. 3-1)

Espaço de ventilação e de serviço

■ SUZ-KA25VA6 SUZ-KA35VA6

- Ⓐ 100 mm ou mais
- Ⓑ 350 mm ou mais
- Ⓒ Basicamente um espaço aberto de 100 mm ou mais, sem obstruções, à frente e de ambos os lados da unidade.
- Ⓓ 200 mm ou mais (Abra dois lados à esquerda, direita ou no lado de trás.)

■ SUZ-KA50VA6 SUZ-KA60VA6 SUZ-KA71VA6

- Ⓐ 100 mm ou mais
- Ⓑ 350 mm ou mais
- Ⓒ 500 mm ou mais

Quando a tubagem é para fixar numa parede com metais (revestidos de estanho) ou rede metálica, utilize uma peça de madeira quimicamente tratada com uma espessura de 20 mm ou mais entre a parede e a tubagem, ou dê 7 a 8 voltas de vinilo isolante em torno da tubagem.

As unidades devem ser montadas por um instalador licenciado, de acordo com os requisitos locais.

Nota:

Ao utilizar o aparelho de ar condicionado a uma temperatura exterior baixa, siga as instruções abaixo indicadas.

- Nunca instale a unidade exterior num local onde a saída/entrada de ar fique directamente exposta ao vento.
- Para evitar a exposição ao vento, instale a unidade exterior com o lado da entrada de ar virada para a parede.
- Para evitar a exposição ao vento, recomenda-se a instalação de uma placa deflectora no lado da saída de ar da unidade exterior.

4. Tubagem de drenagem da unidade exterior (Fig. 4-1)

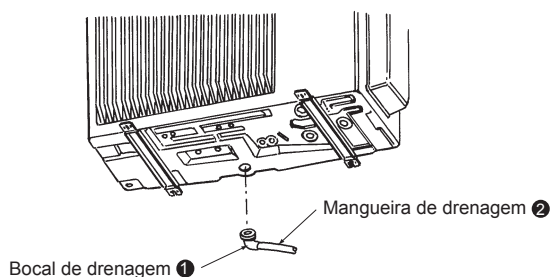


Fig. 4-1

4.1. Acessórios

Verifique as seguintes peças antes da instalação.

<Unidade exterior>

①	Bocal de drenagem	1
---	-------------------	---

- Providencie tubagem de drenagem antes da ligação da tubagem interior e exterior. (Será difícil instalar o bocal de drenagem ① se a ligação da tubagem interior e exterior for efectuada antes da tubagem de drenagem, isto porque a unidade exterior se torna imóvel.)
- Ligue a mangueira de drenagem ② (que pode ser adquirida numa loja, diâmetro interno: 15 mm) como indicado na figura para drenagem.
- Certifique-se de que dispõe de tubagem de drenagem com um certo grau de inclinação para facilitar o fluxo de drenagem.

Nota:

Não use o bocal de drenagem ① em regiões frias. A drenagem pode congelar, o que faz que a ventoinha pare.

5. Instalação da tubagem do refrigerante

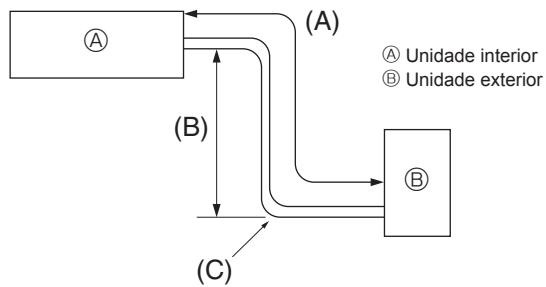


Fig. 5-1

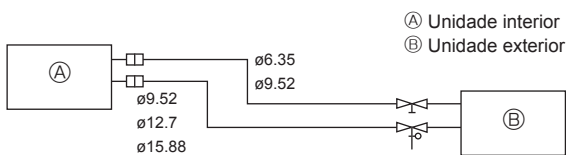


Fig. 5-2

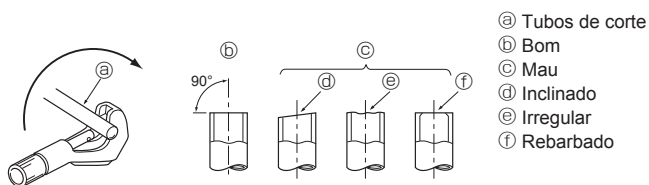


Fig. 5-3

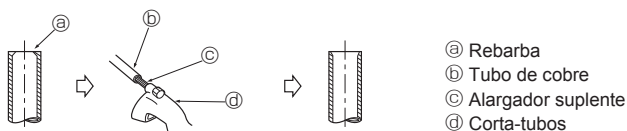


Fig. 5-4

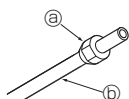


Fig. 5-5

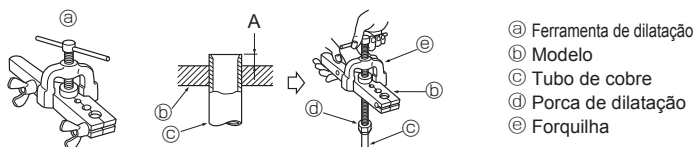


Fig. 5-6

5.1. Tubo de refrigerante (Fig. 5-1)

► Verifique se a diferença entre as alturas das unidades interior e exterior, o comprimento da tubagem de refrigeração e o número de curvas na tubagem se encontram dentro dos limites abaixo indicados.

Modelos	(A) Comprimento da tubagem (um só sentido)	(B) Diferença de altura	(C) Número de curvas (um só sentido)
SUZ-KA25/KA35	Máx. 20 m	Máx. 12 m	Máx. de 10
SUZ-KA50/KA60/KA71	Máx. 30 m	Máx. 30 m	Máx. de 10

- Os limites de diferença de altura são impostos, independentemente de qual das unidades, interior ou exterior, estiver colocada mais alto.
- Ajuste do refrigerante... Se o comprimento do tubo exceder de 7 m, é necessário aplicar uma carga de refrigerante (R410A) adicional. (A unidade exterior é carregada com refrigerante para um tubo de 7 m de comprimento no máximo.)

Comprimento do tubo	Até 7 m	Nenhuma carga adicional é necessária.
	Mais de 7 m	É preciso uma carga adicional. (Consulte a tabela abaixo.)
Refrigerante da aggiungere	SUZ-KA25/KA35 tipo	30 g × (comprimento da tubagem do refrigerante (m) - 7)
	SUZ-KA50/KA60 tipo	20 g × (comprimento da tubagem do refrigerante (m) - 7)
	SUZ-KA71 tipo	55 g × (comprimento da tubagem do refrigerante (m) - 7)

(1) A tabela abaixo mostra as especificações de tubos existentes no comércio.

Modelo	Tubo	Diâmetro externo		Espessura min. da parede	Espessura da isolamento	Material de isolamento
		mm	polegada			
SUZ-KA25	Para líquido	6,35	1/4	0,8 mm	8 mm	Plástico de espuma resistente ao calor 0,045 gravidade específica
	Para gás	9,52	3/8	0,8 mm	8 mm	
SUZ-KA35	Para líquido	6,35	1/4	0,8 mm	8 mm	
	Para gás	9,52	3/8	0,8 mm	8 mm	
SUZ-KA50	Para líquido	6,35	1/4	0,8 mm	8 mm	
	Para gás	12,7	1/2	0,8 mm	8 mm	
SUZ-KA60	Para líquido	6,35	1/4	0,8 mm	8 mm	
	Para gás	15,88	5/8	0,8 mm	8 mm	
SUZ-KA71	Para líquido	9,52	3/8	0,8 mm	8 mm	
	Para gás	15,88	5/8	1,0 mm	8 mm	

(2) Assegure-se de que os 2 tubos de refrigerante estão bem isolados para impedir a condensação.

(3) O raio de curva do tubo de refrigerante deve ser de 100 mm ou mais.

⚠ Cuidado:

Utilize cuidadosamente a isolamento com a espessura prevista. Espessura a mais impede o armazenamento atrás da unidade interior e espessura a menos provoca a formação de gotas.

5.2. Trabalho de dilatação

- A principal causa de fuga de gás reside num defeito do trabalho de dilatação. Execute correctamente o trabalho de dilatação segundo o procedimento seguinte.

5.2.1. Corte do tubo (Fig. 5-3)

- Corte o tubo de cobre correctamente com um corta-tubos.

5.2.2. Remoção das rebarbas (Fig. 5-4)

- Remova completamente todas as rebarbas da secção de corte cruzado do tubo.
- Ao remover as rebarbas, coloque a extremidade do tubo de cobre voltado para baixo, a fim de evitar que elas entrem na tubagem.

5.2.3. Colocação da porca (Fig. 5-5)

- Remova as porcas de dilatação fornecidas na unidade interior e exterior e coloque-as, depois, no tubo após a remoção das rebarbas. (Não é possível colocá-las após o trabalho de dilatação)

5.2.4. Trabalho de dilatação (Fig. 5-6)

- Execute o trabalho de dilatação com ferramenta própria, como se ilustra à direita.

Diâmetro do tubo (mm)	Dimensões	
	A (mm)	B ⁺⁰ _{-0,4} (mm)
	Quando é utilizada a ferramenta para o R410A	
	Tipo garra	
6,35	0 - 0,5	9,1
9,52	0 - 0,5	13,2
12,7	0 - 0,5	16,6
15,88	0 - 0,5	19,7

Fixe bem o tubo de cobre num molde com as dimensões apresentadas na tabela que precede.

5. Instalação da tubagem do refrigerante

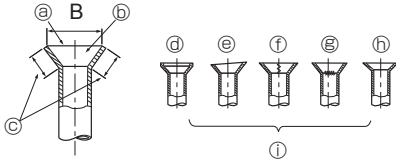


Fig. 5-7

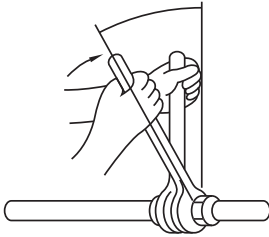


Fig. 5-8

5.2.5. Verificação (Fig. 5-7)

- Compare o trabalho dilatado com a figura da direita.
- Se a dilatação for defeituosa, corte a secção dilatada e efectue novamente o trabalho de dilatação.

- Ⓐ Alise tudo à volta
- Ⓛ Arranhe a parte dilatada
- Ⓛ Dentro está tudo a brilhar sem arranhadelas
- Ⓔ Rachada
- Ⓒ Uniformize o comprimento à volta
- Ⓛ Irregular
- Ⓛ Demasiado
- Ⓛ Maus exemplos
- Ⓔ Inclinado

- Aplique uma camada fina de óleo refrigerante na superfície de encaixe do tubo. (Fig. 5-8)
- Para a ligação, primeiro alinhe o centro e depois aperte as primeiras 3 ou 4 voltas da porca.
- Utilize a tabela de torque de aperto abaixo como um guia para a secção de união do lado da unidade interior, e aperte usando duas chaves. Um aperto excessivo causará danos à secção afunilada.

Tubo de cobre D.E. (mm)	Porca afunilada D.E. (mm)	Binário de Aperto (N·m)
ø6,35	17	14 - 18
ø9,52	22	34 - 42
ø12,7	26	49 - 61
ø15,88	29	68 - 82

⚠ Aviso:

Quando instalar a unidade, ligue os tubos de refrigerante firmemente antes de ligar o compressor.

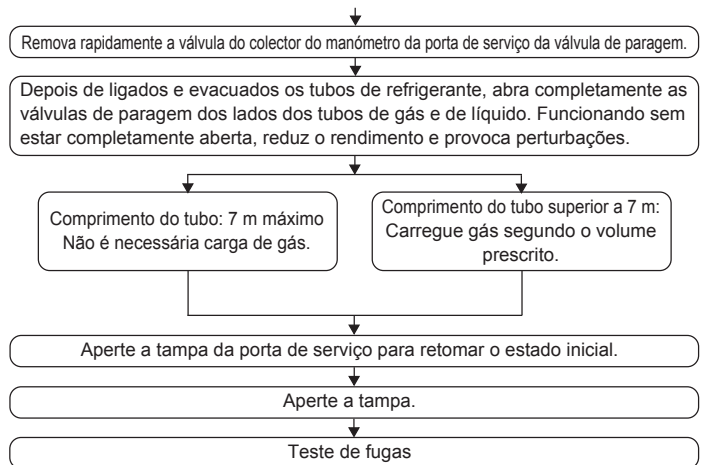
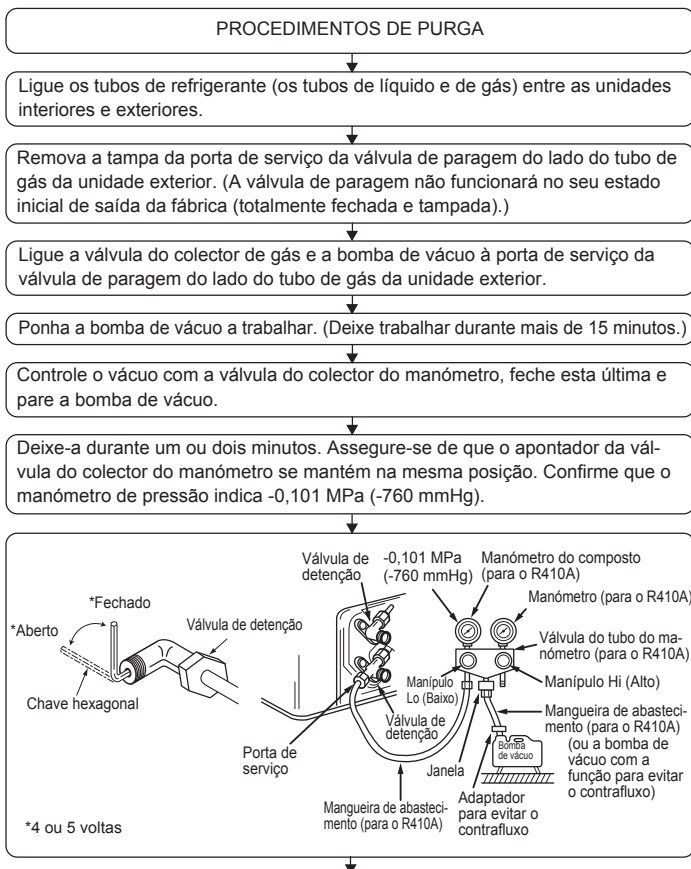
⚠ Aviso:

Tenha cuidado com a porca do tubo! (Internamente pressurizada)

Retire a porca do tubo da seguinte maneira:

1. Solte a porca até que ouça um som de assobio.
2. Não retire a porca até que o gás tenha sido completamente libertado (isto é, até o som de assobio parar).
3. Verifique se o gás foi completamente libertado e depois retire a porca.

5.5. Teste de fugas dos procedimentos de purga



6. Trabalho de electricidade

6.1. Unidade exterior (Fig. 6-1, Fig. 6-2, Fig. 6-3, Fig. 6-4)

- ① Retire o painel de serviço.
- ② Ligue os cabos referentes à Fig. 6-1, Fig. 6-2, Fig. 6-3 e Fig. 6-4.

■ SUZ-KA25/35/50VA6

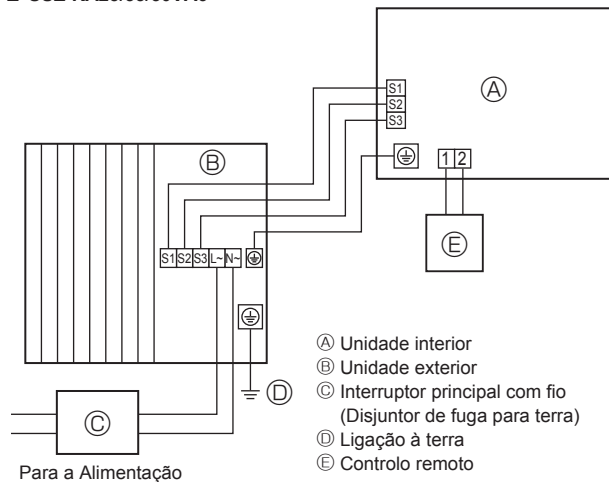
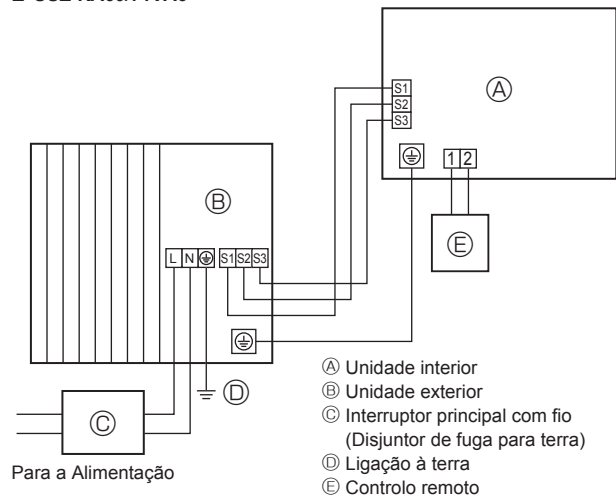


Fig. 6-1

■ SUZ-KA60/71VA6



Placa de terminais interior

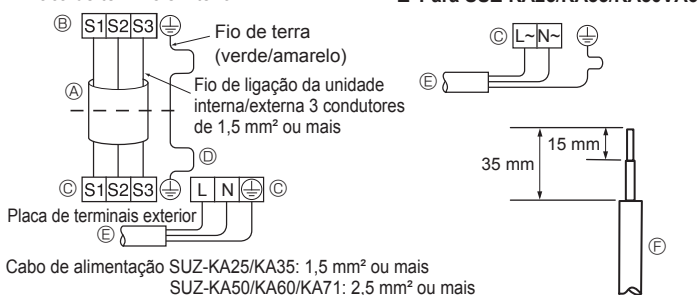


Fig. 6-2

■ SUZ-KA25/35VA6

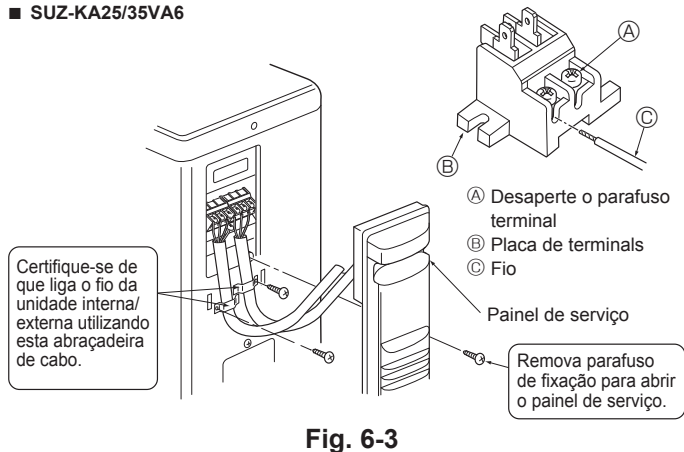


Fig. 6-3

■ SUZ-KA50/60/71VA6

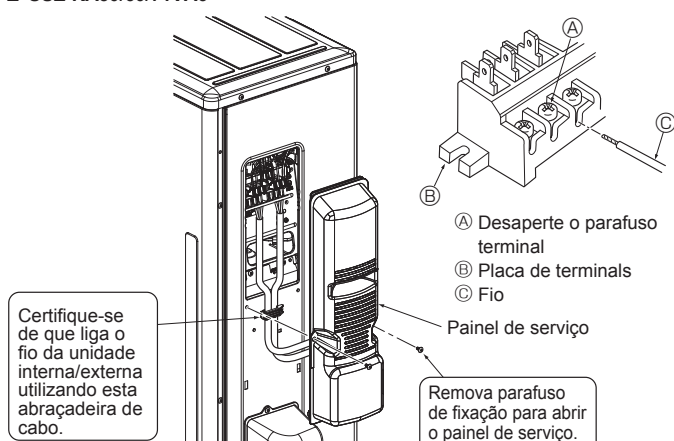


Fig. 6-4

- Faça as ligações tal como demonstrado no diagrama, na parte inferior esquerda. (Obtenha o cabo a nível local) (Fig. 6-2)
- Certifique-se de que utiliza apenas cabos com a devida polaridade.
 - (A) Cabo de ligação
 - (B) Placa de terminais interior
 - (C) Placa de terminais exterior
 - (D) Instale sempre um fio de terra que seja mais comprido do que os outros cabos.
 - (E) Cabo de alimentação
 - (F) Fio

- O fio de terra deve ser mais comprido do que os outros. (Mais de 100 mm)
- Para manutenção futura, os fios de ligação devem ficar com um comprimento extra.
- Certifique-se de que aperta cada parafuso no respectivo terminal quando fixar o cabo e/ou o fio ao bloco de terminais.

- Ligue o cabo da unidade interior correctamente ao bloco de terminais.
- Utilize o mesmo bloco de terminais e a mesma polaridade utilizados para a unidade interior.
- Para a manutenção posterior dê comprimento extra para ligar o cabo.

- Ambas as pontas do cabo de ligação (extensão) estão descarnadas. Quando compridas de mais ou ligadas pelo corte do meio descarne o cabo de alimentação conforme o tamanho indicado na figura.
- Tenha cuidado para não encostar o cabo de ligação à tubagem.

⚠ Cuidado:

- Seja prudente para não trocar a cablagem.
- Aperte bem os parafusos do terminal para evitar que se desapertem.
- Após o aperto, puxe ligeiramente os fios para confirmar que não se mexem.

⚠ Aviso:

- Fixe bem o painel de serviço da unidade exterior. Se não for fixo correctamente, pode causar incêndio ou choques eléctricos devido a poeira, água, etc.
- Aperte bem os parafusos do terminal.
- A cablagem deve ser feita de tal modo que as linhas eléctricas não sejam submetidas a tensão. De outro modo, pode gerar-se calor ou ocorrer incêndios.

6. Trabalho de electricidade

6.2. Instalação eléctrica de campo

Modelo da unidade exterior	SUZ-KA25/KA35	SUZ-KA35 *3	SUZ-KA50/KA60/KA71
Fonte de alimentação da unidade exterior	~N (individual), 50 Hz, 230 V	~N (individual), 50 Hz, 230 V	~N (individual), 50 Hz, 230 V
Capacidade de entrada da unidade exterior	10 A	16 A	20 A
Disjuntor de circuito (Disjuntor)	*1		
N.º x tamanho (mm ²) do cabo de ligação eléctrica	Fonte de alimentação da unidade exterior	2 x 1,5 no mín.	2 x 2,0 no mín.
	Ligação à terra da fonte de alimentação da unidade exterior	1 x 1,5 no mín.	1 x 2,0 no mín.
	Unidade interior-Unidade exterior	3 x 1,5 (Polarizado)	3 x 1,5 (Polarizado)
	Ligação à terra da unidade interior-unidade exterior	1 x 1,5 no mín.	1 x 1,5 no mín.
Valor nominal do circuito	Unidade exterior L-N	*2 230 V CA	230 V CA
	S1-S2 da unidade interior-unidade exterior	*2 230 V CA	230 V CA
	S2-S3 da unidade interior-unidade exterior	*2 12 V CC – 24 V CC	12 V CC – 24 V CC

*1. Deverá dispor de um disjuntor com, pelo menos, 3 mm de distância entre os contactos dos pólos. Utilize um disjuntor de fuga à terra (NV).

Certifique-se de que o disjuntor de corrente de fuga é compatível com harmónicos mais altos.

Utilize sempre um disjuntor de corrente de fuga que seja compatível com harmónicos mais altos, uma vez que esta unidade está equipada com um inversor.

A utilização de um disjuntor inadequado pode provocar o mau funcionamento do inversor.

*2. Os valores NÃO se aplicam sempre em relação à terra.

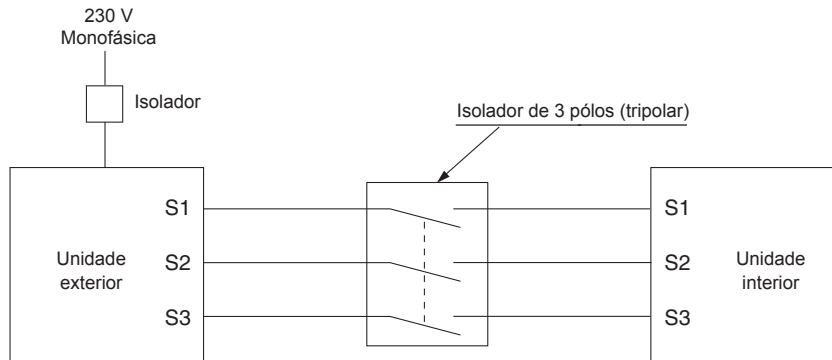
O terminal S3 tem uma diferença de 24 V CC em relação ao terminal S2. Contudo, entre os terminais S3 e S1, a ligação NÃO está isolada electricamente pelo transformador ou por outro dispositivo.

*3. Em caso de combinação da série PEAD-RP35JA.

Notas: 1. A dimensão da cablagem deve estar em conformidade com a legislação local e nacional aplicável.

2. Os cabos de alimentação e os cabos de ligação da unidade interior/unidade exterior não devem ser mais leves do que os cabos flexíveis revestidos a policloropreno. (Tipo 60245 IEC 57)

3. Instale um fio de terra mais comprido do que os outros cabos.



⚠ Aviso:

Existe potencial de alta tensão no terminal S3, provocado pelo tipo de circuito eléctrico sem qualquer isolamento entre a linha de tensão e a linha de sinal de comunicação. Por conseguinte, desligue a fonte de alimentação principal ao fazer qualquer reparação. Além disso, não toque nos terminais S1, S2 e S3 enquanto a corrente estiver ligada. Se tiver de utilizar um isolador entre a unidade interior e a exterior, utilize um de 3 pólos (tripolar).

Nunca una o cabo de alimentação ou o cabo de ligação interior-exterior, caso contrário pode resultar em fumo, incêndio ou uma falha de comunicação.

7. Manutenção

7.1. Carregamento de gás (Fig. 7-1)

1. Ligue a botija de gás à porta de serviço da válvula de paragem (3-vias).
2. Purgue o ar do tubo (ou mangueira) proveniente do cilindro de gás refrigerante.
3. Refaça o volume de refrigerante especificado, enquanto o ar condicionado funciona em modo de arrefecimento.

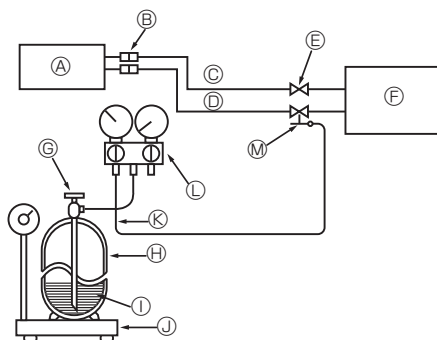
Nota:

No caso de adicionar refrigerante, adicione de acordo com a quantidade especificada para o ciclo de refrigerante.

⚠ Cuidado:

- Não descarregue o refrigerante na atmosfera. Tenha cuidado para não descarregar refrigerante para a atmosfera durante a instalação, reinstalação, ou reparações no circuito de refrigerante.
- Para o abastecimento adicional, adicione o refrigerante no estado líquido da botija de gás. Se o refrigerante for adicionado a partir do estado gasoso, poderá verificar-se uma alteração na composição do mesmo no interior da botija e na unidade exterior. Neste caso, a capacidade do ciclo de refrigeração diminui ou não é possível funcionar normalmente. Contudo, o abastecimento do refrigerante líquido de uma só vez poderá ocasionar o bloqueio do compressor. Por isso, adicione o refrigerante lentamente.

Para manter a pressão do cilindro de gás alta durante a época fria, aqueça-o com água morna (menos de 40°C). Nunca use fogo ou vapor.



- | | |
|---|--|
| (A) Unidade interior | (H) Cilindro de gás refrigerante para o R410A com sifão |
| (B) União | (I) Refrigerante (líquido) |
| (C) Tubo de líquido | (J) Balança eletrônica para carregamento de refrigerante |
| (D) Tubo de gás | (K) Mangueira de carga (para o R410A) |
| (E) Válvula de detenção | (L) Válvula de borboleta do manómetro (para o R410A) |
| (F) Unidade exterior | (M) Porta de serviço |
| (G) Válvula de operação do cilindro de gás refrigerante | |

Fig. 7-1

8. Bombagem

Quando mudar o aparelho de ar condicionado de sítio ou quando se desfizer deste, bombeie o sistema efectuando o procedimento apresentado em seguida, de modo a que não seja libertado refrigerante para a atmosfera.

- ① Desligue a alimentação (disjuntor de circuito).
- ② Ligue a válvula de borboleta do manómetro à porta de serviço da válvula de retenção do lado do tubo do gás da unidade exterior.
- ③ Feche completamente a válvula de retenção do lado do tubo do líquido da unidade exterior.
- ④ Ligue a alimentação (disjuntor de circuito).
- ⑤ Efectue a operação de recuperação de refrigerante (teste de refrigeração).
 - No PAR-31MAA, seleccione "Service" (Serviço) → "TestRun" (Teste) no menu principal para iniciar o teste e seleccione o modo de refrigeração.
 - Para mais detalhes ou outras informações sobre como iniciar o teste quando são utilizados controlos remotos, consulte o manual de instalação da unidade interior ou do controlo remoto.
- ⑥ Feche completamente a válvula de retenção do lado do tubo do gás da unidade exterior quando o manómetro de pressão apresentar a indicação 0,05 para 0 MPa [Manómetro] (aprox. 0,5 para 0 kgf/cm²) e pare rapidamente o ar condicionado.
 - Prima o botão "ON/OFF" no controlo remoto para interromper o funcionamento do ar condicionado.
 - * Tenha em atenção que, quando a tubagem de extensão é demasiado comprida e existe uma grande quantidade de refrigerante, poderá não ser possível efectuar uma operação de bombagem. Neste caso, utilize um equipamento de recuperação de refrigerante para recuperar todo o refrigerante presente no sistema.

- ⑦ Desligue a alimentação (disjuntor de circuito), retire a válvula do manómetro e desligue em seguida os tubos de refrigerante.

⚠ Aviso:

Quando proceder à bombagem do refrigerante, desligue o compressor antes de desligar os tubos de refrigerante.

- **Se os tubos de refrigerante forem desligados durante o funcionamento do compressor com a válvula de paragem (válvula de esfera) aberta, a pressão no ciclo de refrigeração poderá aumentar excessivamente em caso de aspiração de ar e provocar o rebentamento dos tubos, ferimentos, etc.**

9. Especificações

Modelo exterior		SUZ-KA25VA6.TH	SUZ-KA35VA6.TH	SUZ-KA50VA6.TH	SUZ-KA60VA6.TH	SUZ-KA71VA6.TH	
Alimentação		Monofásica 230 V, 50 Hz					
Dimensões L × A × P		800 × 550 × 285		840 × 880 × 330			
Peso		kg	30	35	54	50	53
Nível sonoro *1	Refrigeração	dB (A)	47	49	52	55	
	Aquecimento		48	50	52	55	

*1 Medido de acordo com a frequência nominal de funcionamento.

Indhold

1. Følgende skal altid overholdes af sikkerhedsmæssige årsager	58	6. Elarbejde	62
2. Valg af installationssted	58	7. Vedligeholdelse	63
3. Installationsdiagram	59	8. Tømning	64
4. Afløbsrør til udendørsenhed	59	9. Specifikationer	64
5. Rørføring for kølerør	60		

1. Følgende skal altid overholdes af sikkerhedsmæssige årsager

- Sørg for et separat kredsløb til klima-anlægget, og slut ikke andre elektriske apparater til dette.
- Læs afsnittet "Følgende skal altid overholdes af sikkerhedsmæssige årsager", før installation af klima-anlægget.
- Overhold følgende advarsler nøje, da det er afgørende for sikkerheden.
- Symbolerne og deres betydning er, som følger.

⚠ Advarsel:

Kan medføre død, alvorlig personskade m.m.

⚠ Advarsel:

- Installer ikke klima-anlægget selv (kunde). Ufuldstændig installation kan føre til personskade forårsaget af brand, elektrisk stød, nedfald af enheden eller vandlækage. Henvend Dem til den forhandler, hvor De har købt anlægget, eller til en fagkyndig installatør.
- Dette apparat er beregnet til at blive brugt af en ekspert eller udlært bruger i butikker, belysningsindustrien, på gårde eller af en ikke-faglært person til kommercielt brug.
- Installer enheden forsvarligt på et sted, der kan bære vægten af den. Hvis enheden installeres på et sted, der ikke er solidt nok, er der risiko for, at den kan falde ned med personskade til følge.
- Brug de foreskrevne ledninger til at forbinde indendørsenheden og udendørsenheden sikkert, og sæt ledningerne godt fast på klempladens tilslutningssektioner, så der ikke overføres trækspænding fra kablerne til tilslutningssektionerne. Ufuldstændig tilslutning og fastgøring kan medføre brand.
- Brug ikke indirekte tilslutning af netledningen eller forlængerledningen, og slut ikke mange apparater til et vekselstrømsudtag (vægkontakt). Dette kan medføre brand eller elektrisk stød på grund af defekt kontakt, defekt isolering, overskridelse af den tilladte strømstyrke osv.
- Kontroller, at der ikke siver kølegas ud efter endt installation.
- Udfør installationen sikkert i henhold til installationsmanualen. Ufuldstændig installation kan føre til personskade forårsaget af brand, elektrisk stød, nedfald af enheden eller vandlækage.
- Brug kun de anviste kabler til kabelføring. Kabelforbindelserne skal være sikre, så der ikke er belastning af terminalforbindelserne. Undgå desuden at sammensplejse kabler til kabelføring (medmindre andet er anvist i dette dokument). Manglende overholdelse af disse instruktioner kan medføre overophedning eller brand.

⚠ Forsigtig:

- Foretag jordtilslutning. Jordledningen må ikke forbindes til et gasrør, et vandrør eller en telefons jordledning. Forkert jordtilslutning kan medføre elektrisk stød.
- Enheden må ikke installeres et sted, hvor der er udsivning af brændbar gas. Hvis der siver gas ud, og den samler sig i nærheden af enheden, kan der være risiko for en eksplosion.
- Installer en jordtilslutningsafbryder, hvis klima-anlægget er installeret et sted, hvor der er fugtigt. Hvis der ikke installeres en jordtilslutningsafbryder, er der risiko for elektrisk stød.

2. Valg af installationssted

2.1. Udendørsenhed

- Hvor den ikke udsættes for kraftig blæst.
- Hvor luftstrømmen er god og støvfri.
- Hvor den ikke udsættes for regn og direkte sol.
- Hvor naboerne ikke generes af lyd eller varm luft fra anlægget.
- Hvor der forefindes en solid væg eller støtte, der kan forebygge støj og vibrationer.
- Hvor der ikke er risiko for brandfarlig gasudsvivning.
- Husk at fastgøre enhedens ben, når den installeres højt.
- Hvor der er mindst 3 m til fjernsyns- eller radioantenne. (Ellers kan der komme forstyrrelser eller støj på billedet).
- Installer det et sted, der ikke påvirkes af snefald eller snefygning. I områder med kraftigt snefald skal der monteres et tag over, en sokkel og/eller nogle skjærmplader.
- Monter altid enheden vandret.

⚠ Forsigtig:

Kan medføre alvorlig personskade i visse omgivelser ved forkert brug.

- Når denne manual er læst, skal den opbevares sammen med driftsanvisningerne på et let tilgængeligt sted hos kunden.



: Angiver en del, som skal være jordet.

⚠ Advarsel:

Læs omhyggeligt mærkaterne på hovedenheden.

- Udfør elarbejde i henhold til installationsmanualen, og anvend et separat kredsløb. Hvis strømkredsløbets kapacitet er utilstrækkelig, eller elarbejdet er ufuldstændigt, kan det medføre brand eller elektrisk stød.
- Monter den elektriske dels beskyttelsesplade omhyggeligt på indendørsenheden, og monter ligeledes servicepanelet omhyggeligt på udendørsenheden. Hvis den elektriske dels beskyttelsesplade på indendørsenheden og/eller servicepanelet på udendørsenheden ikke er monteret forsvarligt, kan det medføre brand eller elektrisk stød på grund af støv, vand m.m.
- Brug kun de medfølgende eller specificerede dele til installationsarbejdet. Anvendes der defekte dele, kan der ske personskade eller vandlækage på grund af brand, elektrisk stød, nedfald af enheden m.m.
- Udluft rummet, hvis der sker udsivning af kølemiddel under driften. Hvis kølemidlet kommer i kontakt med åbn ild, frigives der giftige gasser.
- Ved tømning af kølemiddel skal kompressoren stoppes, før kølerørene afmonteres. Kompressoren kan revne, hvis der kommer luft eller lignende ind i den.
- Ved installation, flytning eller serviceeftersyn af klimaanlægget må der kun anvendes det specificerede kølemiddel (R410A) til fyldning af kølemiddelrørene. Det må ikke blandes med nogen anden type kølemiddel, og der må ikke være luft tilbage i rørene. Hvis der blandes luft sammen med kølemidlet, kan det forårsage et unormalt højt tryk i kølemiddelrøret og resultere i en eksplosion og andre farlige situationer. Hvis der bruges andre kølemidler end det, der er specificeret for systemet, forårsager det mekanisk driftssvigt eller funktionsfejl i systemet eller nedbrud af enheden. I værste fald kan det føre til en alvorlig hindring for produktsikkerheden.

- Udfør afløbs-/rørføringsarbejde på korrekt vis i henhold til installationsmanualen. Hvis dette arbejde ikke udføres korrekt, kan der dryppe vand fra enheden, og det kan beskadige eventuelle husholdningsartikler under enheden.
- Tilspænd en brystmøtrik med en momentnøgle som angivet i denne manual. Hvis en brystmøtrik spændes for stramt, kan den blive ødelagt efter en lang periode og forårsage lækage af kølemiddel.

⚠ Forsigtig:

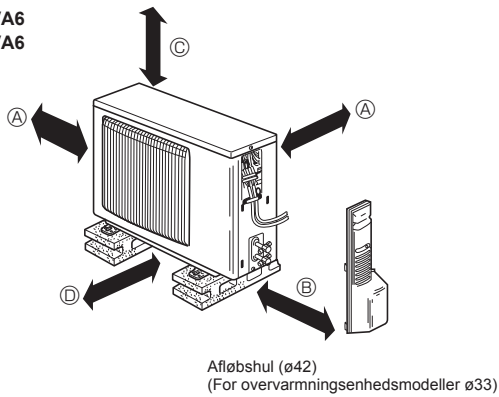
Undgå installation på følgende steder, hvor der nemt kan opstå problemer med klima-anlægget.

- Hvor der er for meget maskinolie.
- Hvor der forekommer salt, f.eks. i kystområder.
- I områder med varme kilder.
- Hvor der er sulfidgas.
- Andre steder med særlige atmosfæriske forhold.

Udendørsenheden producerer kondensat under opvarmningsfunktionen. Vælg et installationssted, hvor det sikres, at udendørsenheden og/eller jorden under den ikke bliver våd af drænvand eller beskadiget af frosset drænvand.

3. Installationsdiagram

■ SUZ-KA25VA6 SUZ-KA35VA6



(mm)

3.1. Udendørsenhed (Fig. 3-1)

Ventilation og serviceplads

■ SUZ-KA25VA6 SUZ-KA35VA6

- Ⓐ 100 mm eller mere
- Ⓑ 350 mm eller mere
- Ⓒ Minimum 100 mm fri plads uden forhindringer foran og på begge sider af enheden.
- Ⓓ Minimum 200 mm (åbn to sider på venstre eller højre side eller på bagsiden).

■ SUZ-KA50VA6 SUZ-KA60VA6 SUZ-KA71VA6

- Ⓐ 100 mm eller mere
- Ⓑ 350 mm eller mere
- Ⓒ 500 mm eller mere

Når rørene skal fastgøres på en væg, som er belagt med metal (tin) eller metalnet, anvendes et kemisk behandlet træstykke på mindst 20 mm mellem væggen og røret, eller der vikles 7-8 omgange isolerende vinyltape rundt om rørene.

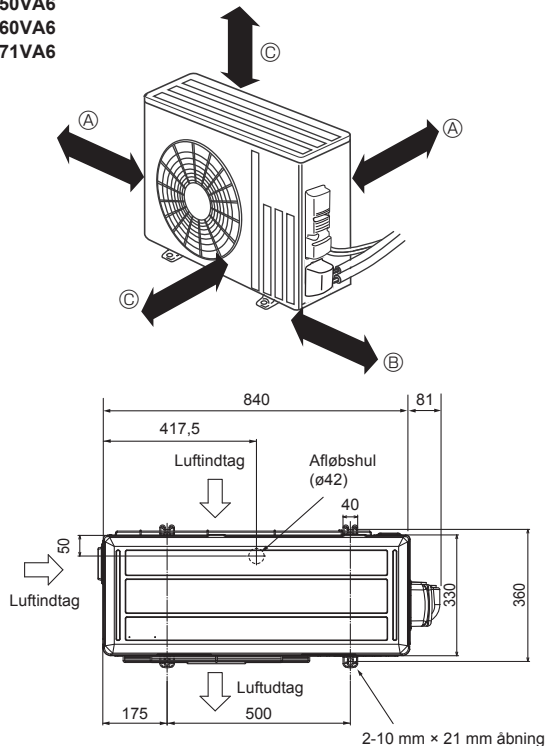
Enhederne skal installeres af en autoriseret leverandør i overensstemmelse med de lokale lovkraft.

Bemærk:

Når klima-anlægget anvendes ved lave udendørstemperaturer, skal nedenstående instruktioner følges.

- Udendørsenheden må aldrig monteres et sted, hvor luftindtags-/udtagssiden er udsat for direkte blæst.
- For at forhindre, at udendørsenheden udsættes for blæst, monteres den med luftindtagssiden ind mod væggen.
- For at forhindre, at udendørsenheden udsættes for blæst, anbefales det at montere en skærmsplade på luftudtagssiden.

■ SUZ-KA50VA6 SUZ-KA60VA6 SUZ-KA71VA6



(mm)

Fig. 3-1

4. Afløbsrør til udendørsenhed (Fig. 4-1)

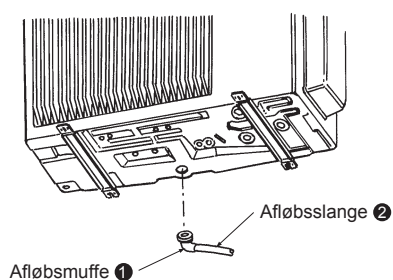


Fig. 4-1

4.1. Tilbehør

Kontroller følgende dele før installation.

<Udendørsenhed>

①	Afløbssmuffe	1
---	--------------	---

- Monter afløbsrør, før inden- og udendørsenhedens rør tilsluttes. (Det er vanskeligt at installere afløbssmuffen ①, hvis inden- og udendørsenhedens rørtilslutning udføres før monteringen af afløbssrørene, fordi udendørsenheden derefter er fastmonteret).
- Tilslut afløbsslangen ② (købes i forretning, indvendig diameter: 15 mm) som vist i figuren for afløbet.
- Sørg for, at afløbssrørene har nedadgående fald, så afløbet flyder let.

Bemærk:

Afløbssmuffen ① må ikke anvendes i kolde områder. Afløbet kan fryse til, og det får ventilatoren til at stoppe.

5. Rørføring for kølerør

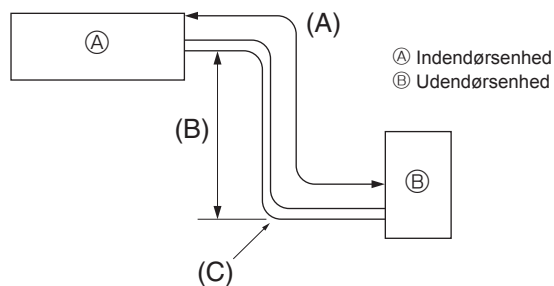


Fig. 5-1

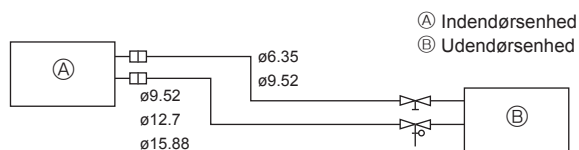


Fig. 5-2

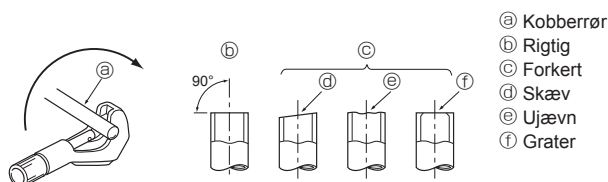


Fig. 5-3

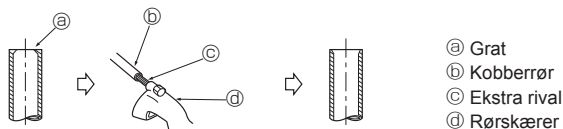


Fig. 5-4

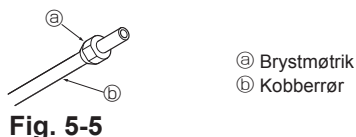


Fig. 5-5

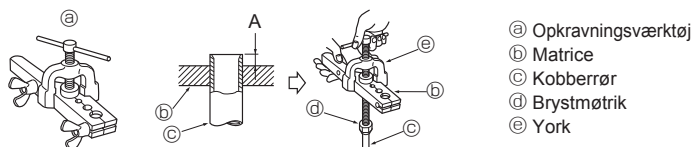


Fig. 5-6

5.1. Kølerør (Fig. 5-1)

► Kontroller, at højdeforskellen mellem indendørs- og udendørsenheden, kølerørets længde og antal krumninger på røret ligger inden for nedenstående grænser.

Modeller	(A) Rørlængde (envejs)	(B) Højdeforskel	(C) Antal krumninger (envejs)
SUZ-KA25/KA35	Maks. 20 m	Maks. 12 m	Maks. 10
SUZ-KA50/KA60/KA71	Maks. 30 m	Maks. 30 m	Maks. 10

- Begrænsningerne i højdeforskel gælder, uanset hvilken enhed, inden- eller udendørs, der placeres højest.
- Justering af kølemiddel ... Hvis rørlængden er over 7 m, kræves påfyldning af yderligere kølemiddel (R410A). (Udendørsenheden er fyldt med kølemiddel til en rørlængde på op til 7 m).

Rørlængde	Op til 7 m	Ingen yderligere påfyldning nødvendig.
	Over 7 m	Yderligere påfyldning nødvendig. (Se nedenstående tabel).
Påfyldning af kølemiddel	SUZ-KA25/KA35	30 g × (kølerørlængde (m) - 7)
	SUZ-KA50/KA60	20 g × (kølerørlængde (m) - 7)
	SUZ-KA71	55 g × (kølerørlængde (m) - 7)

(1) Nedenstående tabel viser specifikationerne for de rør, der er tilgængelige i handelen.

Model	Rør	Udvendig diameter		Min. vægtykkelse	Isolerings-tykkelse	Isoleringsmateriale
		mm	tomme			
SUZ-KA25	Til væske	6,35	1/4	0,8 mm	8 mm	Varmebestandig skumplast med en specifik massefylde på 0,045
	Til gas	9,52	3/8	0,8 mm	8 mm	
SUZ-KA35	Til væske	6,35	1/4	0,8 mm	8 mm	
	Til gas	9,52	3/8	0,8 mm	8 mm	
SUZ-KA50	Til væske	6,35	1/4	0,8 mm	8 mm	
	Til gas	12,7	1/2	0,8 mm	8 mm	
SUZ-KA60	Til væske	6,35	1/4	0,8 mm	8 mm	
	Til gas	15,88	5/8	0,8 mm	8 mm	
SUZ-KA71	Til væske	9,52	3/8	0,8 mm	8 mm	
	Til gas	15,88	5/8	1,0 mm	8 mm	

(2) Sørg for, at de 2 kølemiddelrør er godt isoleret for at forhindre kondensdannelse.

(3) Kølerørets rundingsradius skal være 100 mm eller derover.

⚠ Forsigtig:

Husk at anvende omhyggelig isolering i den angivne tykkelse. For tykt isoleringsmateriale forhindrer korrekt installation af indendørsenheden, og for tyndt isoleringsmateriale skaber kondens.

5.2. Opkravningsarbejde

- Den vigtigste årsag til gaslækage er ufuldstændigt opkravningsarbejde. Udfør korrekt opkravningsarbejde, idet følgende procedure følges.

5.2.1. Tilskæring af rør (Fig. 5-3)

- Tilskær kobberrøret korrekt ved hjælp af en rørskærer.

5.2.2. Fjernelse af grater (Fig. 5-4)

- Fjern alle grater i rørets tværsnit.
- Placer kobberrørets ende, så den vender nedad, når graterne fjernes. Derved undgås det, at der falder grater ned i røret.

5.2.3. Montering af møtrik (Fig. 5-5)

- Fjern brystmøtrikken på inden- og udendørsenheden, og sæt dem på røret, når graterne er fjernet. (De kan ikke sættes på efter endt opkravningsarbejde).

5.2.4. Opkravningsarbejde (Fig. 5-6)

- Udfør opkravningsarbejde ved hjælp af opkravningsværktøjet som vist til højre.

Rørdiameter (mm)	Dimension	
	A (mm)	
	Når værktøjet til R410A anvendes	B ⁺⁰ _{-0,4} (mm)
6,35	Koblingstype	
6,35	0 - 0,5	9,1
9,52	0 - 0,5	13,2
12,7	0 - 0,5	16,6
15,88	0 - 0,5	19,7

Hold kobberrøret fast i en matrice med den dimension, som er vist i ovenstående tabel.

5. Rørføring for kølerør

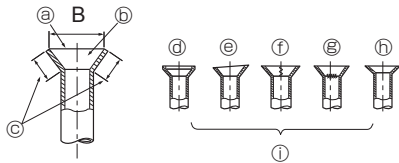


Fig. 5-7

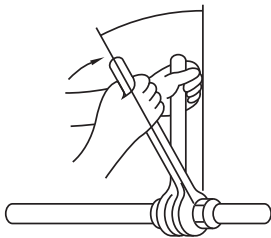


Fig. 5-8

5.2.5. Kontrol (Fig. 5-7)

- Sammenlign opkravningsarbejdet med en figur i højre side.
- Hvis opkravningen ser ud til at være forkert, skæres den opkravede sektion af, og opkravningsarbejdet udføres igen.

- Ⓐ Glat hele vejen rundt
- Ⓑ Skinnende inderside uden ridser
- Ⓒ Ensartet længde hele vejen rundt
- Ⓓ For meget
- Ⓔ Skæv
- Ⓛ Ridse på opkravning
- Ⓜ Revnet
- Ⓨ Ujævn
- Ⓩ Dårlige eksempler

- Påfør et tyndt lag køleolie på rørets sædeoverflade. (Fig. 5-8)
- Ved tilslutning skal røret først centreres, hvorefter brystmøtrikken spændes 3 til 4 omgange.
- Brug spændingsmomenttabellen nedenfor som en retningslinje for spændingen af samlingerne på indendørsenheden, og spænd ved hjælp af to nøgler. Spænd ikke for hårdt, da det beskadiger den opkravede sektion.

Kobberrør U.D. (mm)	Brystmøtrik U.D. (mm)	Spændingsmoment (N·m)
ø6,35	17	14 - 18
ø9,52	22	34 - 42
ø12,7	26	49 - 61
ø15,88	29	68 - 82

⚠ Advarsel:

Tilslut omhyggeligt rørene, før kompressoren startes, når enheden installeres.

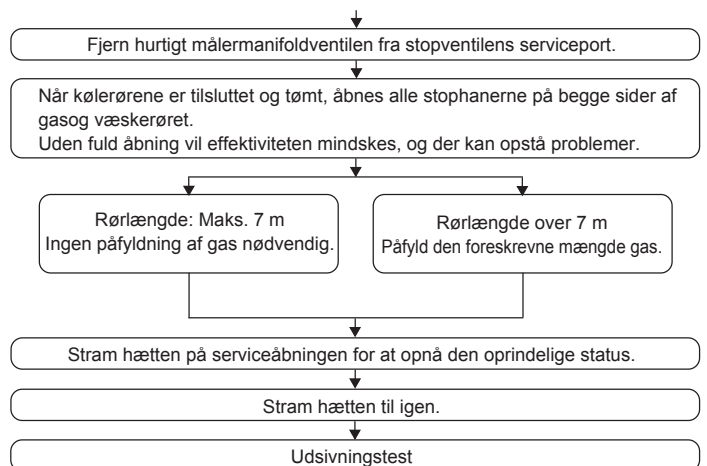
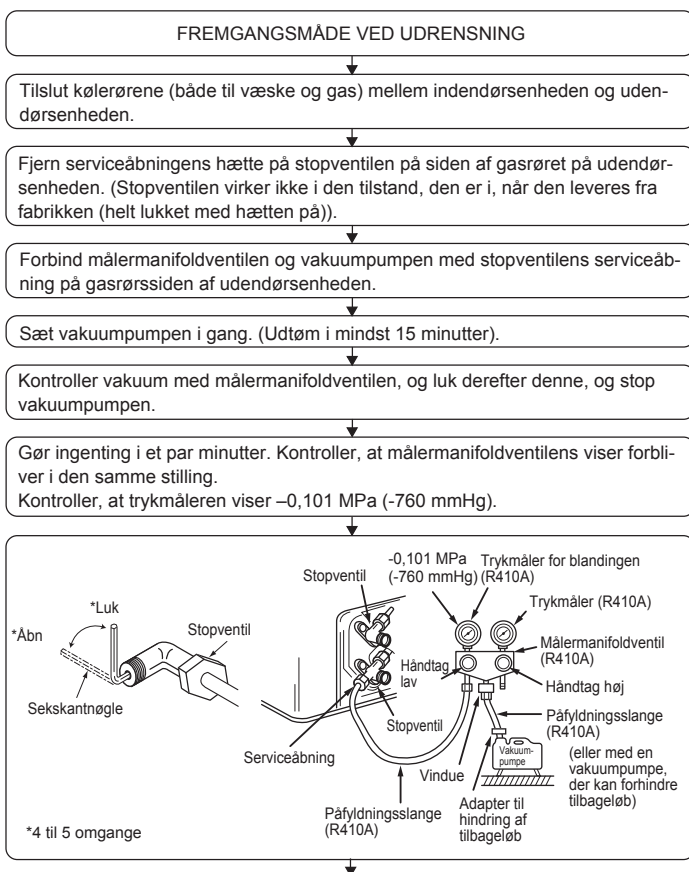
⚠ Advarsel:

Pas på flyvende brystmøtrik! (Indvendigt tryk)

Brystmøtrikken fjernes, som følger:

1. Møtrikken løsnes, indtil der høres en hvæsende lyd.
2. Møtrikken må først fjernes, når al gassen er væk (dvs. når den hvæsende lyd er ophørt).
3. Kontroller, at gassen er helt væk, og tag derefter møtrikken af.

5.5. Fremgangsmåde ved udrensning – udsivningstest



6. Elarbejde

6.1. Udendørsenhed (Fig. 6-1, Fig. 6-2, Fig. 6-3, Fig. 6-4)

- ① Fjern servicepanelet.
- ② Træk kablerne som vist i Fig. 6-1, Fig. 6-2, Fig. 6-3 og Fig. 6-4.

■ SUZ-KA25/35/50VA6

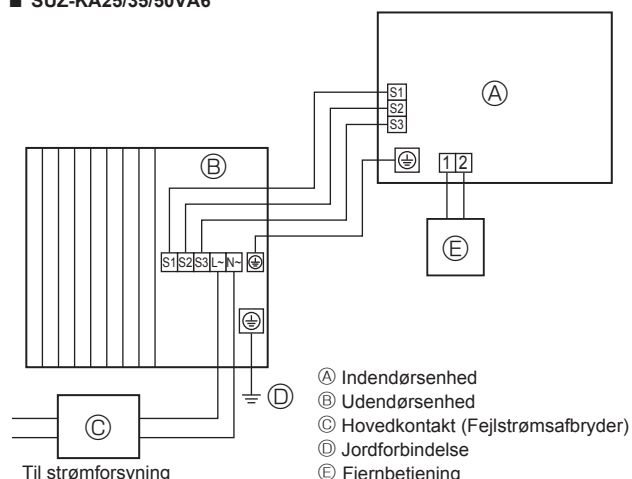
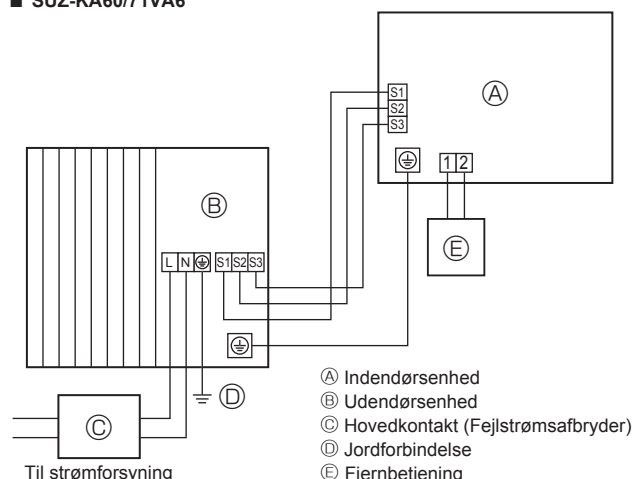


Fig. 6-1

■ SUZ-KA60/71VA6



Indendørsklemplade

(B) S1 S2 S3 ⊕ Jordledning (grøn/gul)

(A) ——— Forbindelsesledning til indendørs-/udendørsenhed, 3-trådet, 1,5 mm² eller mere

(C) S1 S2 S3 ⊕ L N ⊕ Udendørsklemplade

(D) ——— Netledning SUZ-KA25/KA35: 1,5 mm² eller mere
SUZ-KA50/KA60/KA71: 2,5 mm² eller mere

■ Til SUZ-KA25/KA35/KA50VA6

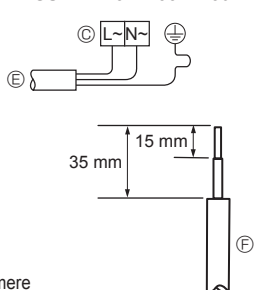


Fig. 6-2

■ SUZ-KA25/35VA6

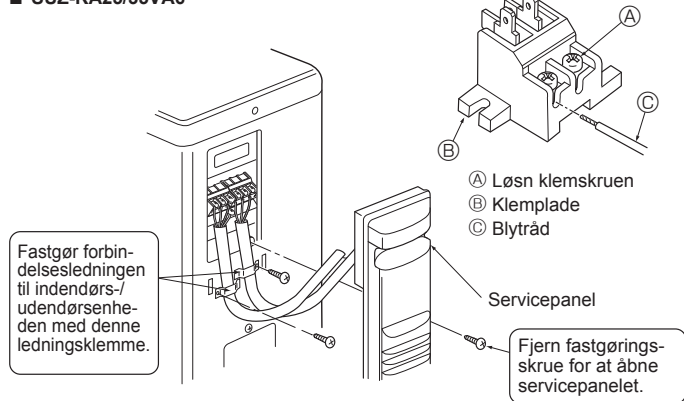


Fig. 6-3

■ SUZ-KA50/60/71VA6

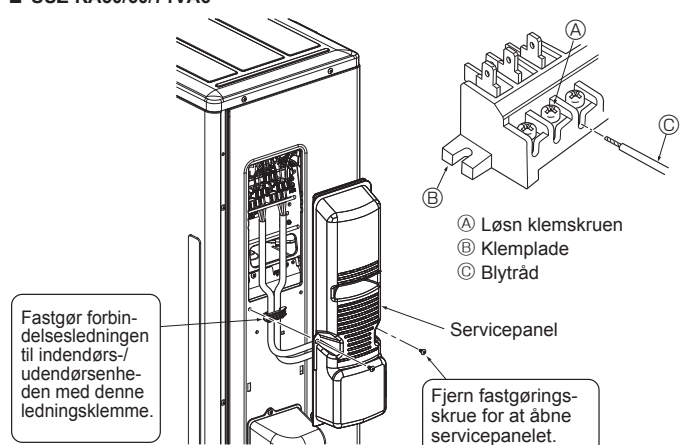


Fig. 6-4

- Ledningerne trækkes som vist nederst til venstre i diagrammet. (Kabel fremskaffes lokalt) (Fig. 6-2)

Sørg for kun at anvende kablerne med den korrekte polaritet.

- (A) Forbindelseskabel
- (B) Indendørs klemplade
- (C) Udendørs klemplade
- (D) Installer altid et jordkabel, der er længere end andre kabler.
- (E) Netledning
- (F) Blytråd

- Gør jordledningen lidt længere end de andre. (Længere end 100 mm)
- Lad ikke forbindelsesledningerne være for korte. Det gør vedligeholdelsen nemmere.
- Sørg for at montere hver skrue på dens tilsvarende klemme, når ledningen og/eller kablet fastgøres til klemkassen.

- Slut kablet fra indendørsenheden korrekt til klempladen.
- Brug den samme klemplade og polaritet som til indendørsenheden.
- Afsæt ekstra kabellængde til service på et senere tidspunkt.

- Begge ender af forbindelseskablet (forlængerledning) fjernes. Når det er for langt eller forbindes ved at skære midten af, fjernes en del af netledningen til den størrelse, som er angivet i figuren.
- Pas på ikke at røre ved rørene med tilslutningskablet.

⚠ Forsigtig:

- Pas på ikke at udføre forkerte tilslutninger.
- Stram klemmskruerne for at undgå, at de løsnes.
- Træk let i kablerne, når de er strammet, for at kontrollere, at de ikke bevæger sig.

⚠ Advarsel:

- Sørg for at fastgøre servicepanelet på udendørsenheden. Hvis det monteres forkert, kan det resultere i brand eller elektrisk stød på grund af støv, vand m.m.
- Stram klemmskruerne godt.
- Netledningerne skal trækkes, så de ikke er under spænding. Ellers kan der udvikles varme, eller der kan opstå brand.

6. Elarbejde

6.2. Elinstallation på stedet

Udendørsenhed, model		SUZ-KA25/KA35	SUZ-KA35 *3	SUZ-KA50/KA60/KA71
Strømforsyning til udendørsenhed		~/N (enkelt), 50 Hz, 230 V	~/N (enkelt), 50 Hz, 230 V	~/N (enkelt), 50 Hz, 230 V
Udendørsenheds indgangskapacitet Hovedkontakt (afbryder)		*1 10 A	16 A	20 A
Ledning Ledningsnr. x størrelse (mm ²)	Strømforsyning til udendørsenhed	2 x min. 1,5	2 x min. 2,0	2 x min. 2,5
	Strømforsyning til udendørsenhed, jord	1 x min. 1,5	1 x min. 2,0	1 x min. 2,5
	Indendørsenhed-Udendørsenhed	3 x 1,5 (polær)	3 x 1,5 (polær)	3 x 1,5 (polær)
	Indendørsenhed-Udendørsenhed, jord	1 x min. 1,5	1 x min. 1,5	1 x min. 1,5
Nominel spænding	Udendørsenhed L-N	*2 230 VAC	230 VAC	230 VAC
	Indendørsenhed-Udendørsenhed S1-S2	*2 230 VAC	230 VAC	230 VAC
	Indendørsenhed-Udendørsenhed S2-S3	*2 12 VDC – 24 VDC	12 VDC – 24 VDC	12 VDC – 24 VDC

*1. Der skal være en afbryder med mindst 3 mm kontakttadskillelse. Brug en jordet lækageafbryder (NV).

Sørg for, at strømlækageafbryderen er kompatibel med højere harmoni.

Brug altid en strømlækageafbryder, der er kompatibel med højere harmoni, da denne enhed er udstyret med en omformer.

Anvendelse af en utilstrækkelig afbryder kan forårsage ukorrekt funktion af vekselretteren.

*2. Tallene er IKKE altid mod jorden.

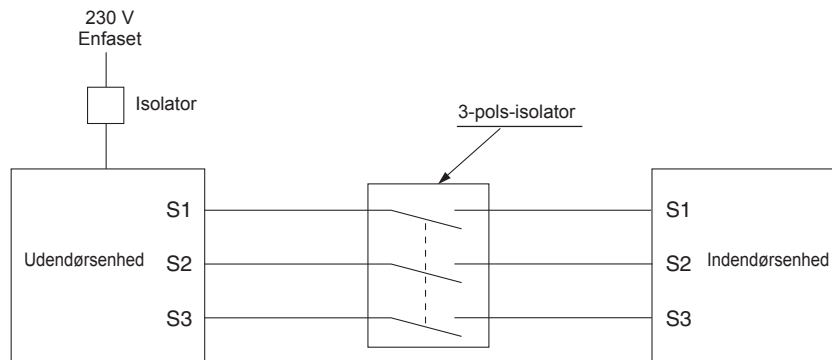
S3-klemmen har 24 VDC mod S2-klemmen. Mellem S3 og S1 er disse klemmer IKKE elektrisk isoleret af transformeren eller andre enheder.

*3. I tilfælde seriekombinationen PEAD-RP35JA.

Bemærk: 1. Kabelstørrelsen skal overholde den gældende lokale og nationale lovgivning.

2. Strømforsyningsledningerne og tilslutningsledningerne til indendørs-/udendørsenhedens forbindelsesledning må ikke være lettere end polychloroprenummibeklædte bøjelige ledninger. (Design 60245 IEC 57)

3. Installer et jordkabel, der er længere end andre kabler.



⚠ Advarsel:

Der er højspændingspotentialer på S3-klemmen forårsaget af et design af det elektriske kredsløb, der ikke har elektrisk isolering mellem stærkstrømsledningen og kommunikationssignalledningen. Derfor skal hovedstrømforsyningen altid afbrydes ved udførelse af service og vedligeholdelse. Berør ikke S1, S2 eller S3-klemmerne, når der er strøm på. Hvis isolatoren skal bruges mellem indendørs- og udendørsenheden, skal der bruges en 3-poltype.

Sammensplejs aldrig netkablet eller kablet til indendørs-udendørs-forbindelsen, da dette kan medføre røgudvikling, brand eller kommunikationsfejl.

7. Vedligeholdelse

7.1. Gasladning (Fig. 7-1)

1. Tilslut gascylindren til stopventilens serviceåbning (3-vejs).
2. Tøm luften ud af røret (eller slangen) fra kølegascylindren.
3. Påfyld den foreskrevne mængde kølemiddel, mens klima-anlægget kører med afkøling.

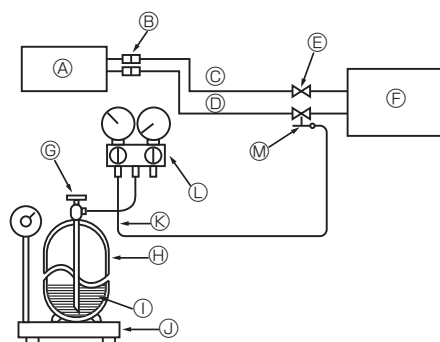
Bemærk:

Hvis der tilføjes kølemiddel, skal den mængde, der er specificeret for kølekredsløbet, overholdes.

⚠ Forsigtig:

- Kølemidlet må ikke udledes i atmosfæren.
Pas på, at der ikke udledes kølemiddel i atmosfæren under installation, geninstallation, eller reparationer på rørsystemet.
- Ved efterfyldning påfyldes kølemidlet fra gascylindren i flydende tilstand. Hvis kølemidlet påfyldes som gas, kan kølemidlets sammensætning ændres i cylinderen og udendørsenheden. Sker det, mindskes kølemidlets effekt, eller normal drift kan være umulig. Men hvis alt flydende kølemiddel påfyldes på én gang, kan kompressoren blokeres. Påfyld derfor kølemidlet langsomt.

For at cylinderen til stadighed kan holde et højt tryk, skal den varmes i varmt vand (under 40° C) om vinteren. Der må aldrig anvendes åben ild eller damp.



- | | |
|-----------------------------------|---|
| (A) Indendørsenhed | (H) Kølegascylinder til R410A med hævert |
| (B) Forskrining | (I) Kølemiddel (væske) |
| (C) Væskerør | (J) Elektronisk vægt til påfyldning af kølemiddel |
| (D) Gasrør | (K) Påfyldningsslange (R410A) |
| (E) Stopventil | (L) Målermanifoldventil (R410A) |
| (F) Udendørsenhed | (M) Serviceåbning |
| (G) Kølegascylinders driftsventil | |

Fig. 7-1

8. Tømning

Ved flytning eller bortskaffelse af klimaanlægget skal systemet tømmes ved hjælp af følgende procedure, så der ikke udledes kølemiddel til atmosfæren.

- ① Sluk for strømforsyningen (afbryder).
- ② Forbind målermanifoldventilen til stopventilens serviceåbning på gasrørssiden af udendørsenheden.
- ③ Luk stopventilen helt på udendørsenhedens væskerør.
- ④ Tænd for strømforsyningen (afbryder).
- ⑤ Udfør opsamling af kølemidlet (testkørsel af køling).
 - På PAR-31MAA vælges "Service" → "TestRun" (Testkørsel) i hovedmenuen for at starte testkørslen, og dernæst vælges køletilstanden.
 - Hvis du ønsker yderligere oplysninger om start af testkørslen med fjernbetjening, bedes du kigge i installationsvejledningen til indendørsenheden eller fjernbetjeningen.
- ⑥ Luk stopventilen helt på gasrørssiden af udendørsenheden, når trykmåleren viser 0,05 til 0 MPa [Manometer] (ca. 0,5 til 0 kgf/cm²), og sluk straks for klimaanlægget.
 - Tryk på "ON/OFF"-knappen på fjernbetjeningen for at stoppe klimaanlægget.
 - * Bemærk, at en nedpumpning muligvis ikke kan udføres, hvis forlængerrøret er meget langt og indeholder en stor mængde kølemiddel. I så fald skal du bruge opsamlingsudstyr til at opsamle alt kølemidlet i systemet.

- ⑦ Sluk for strømforsyningen (afbryder), fjern målermanifoldventilen, og afmonter kølerørene.

⚠ Advarsel:

Ved nedpumpning af kølemiddel skal kompressoren stoppes, før kølerørene afmonteres.

- Hvis kølerørene afmonteres, mens kompressoren er i drift, og stopventilen (kugleventil) er åben, kan trykket i afkølingscyklussen blive ekstremt højt, hvis der trækkes luft ind, hvilket kan medføre sprængte rør, personskader osv.

9. Specifikationer

Udendørsmodel		SUZ-KA25VA6.TH	SUZ-KA35VA6.TH	SUZ-KA50VA6.TH	SUZ-KA60VA6.TH	SUZ-KA71VA6.TH
Strømforsyning		Enkeltfaset 230 V, 50 Hz				
Mål B × H × D	mm	800 × 550 × 285			840 × 880 × 330	
Vægt	kg	30	35	54	50	53
Lydstyrke *1	Køling	47	49	52	55	
	Opvarmning	48	50	52	55	

*1 Målt ved normeret driftsfrekvens.

Innehåll

1. Följande ska alltid observeras för säkerhetens skull	65	6. Elektriska arbeten	69
2. Välja plats för installationen	65	7. Underhåll	70
3. Installationsmall	66	8. Urpumpning	71
4. Dräneringsrör för utomhusenhet	66	9. Specifikationer	71
5. Köldmedelsrörsarbeten	67		

1. Följande ska alltid observeras för säkerhetens skull

- Tillhandahåll en särskild krets för luftkonditioneringen och anslut inte några andra apparater till den kretsen.
- Läs "Följande bör alltid observeras av säkerhetsskäl" före installationen av luftkonditioneringen.
- Följ säkerhetsåtgärderna här eftersom de innehåller viktiga säkerhetsföreskrifter.
- Indikeringarna och deras innebörd är följande.

⚠ Varning:

Kan orsaka död, allvarliga personskador, osv.

⚠ Försiktighet:

Kan orsaka allvarliga personskador vid felaktig användning i vissa miljöer.

⚠ Varning:

- Installera inte enheten själv (kund). En ofullständig installation kan orsaka brännskador, elstötar, vattenläckage eller att enheten faller. Rådfråga den återförsäljare som sålde enheten eller en speciell installatör.
- Denna apparat är avsedd att användas av kunniga eller utbildade personer i butiker, lättare industrier, inom lantbruk eller kommersiellt av lekmän.
- Installera enheten på ett säkert sätt, på ett ställe som klarar enhetens tyngd. Om den installeras på ett alltför svagt ställe, kan enheten falla och orsaka personskador.
- Använd angivna kablar för att ansluta inomhus- och utomhusenheten på ett säkert sätt och fäst kablarna ordentligt i kopplingsplinten så att kablar blir dragavlastade. Ofullständig anslutning och fästning kan orsaka brand.
- Anslut inte elkabeln tillfälligt eller använd förlängningsladd och anslut inte flera enheter till ett vägguttag. Det kan orsaka brand eller elstötar på grund av dålig kontakt, dålig isolering, att tillåten ström överskrids osv.
- Kontrollera att det inte läcker ut köldmedelsgas när installationen är klar.
- Utför installationen på ett säkert sätt enligt installationsanvisningen. En ofullständig installation kan orsaka brännskador, elstötar, vattenläckage eller att enheten faller.
- Använd endast angivna kablar för anslutningar. Anslutningarna måste göras på ett säkert sätt utan spänningar i terminalanslutningarna. Kablarna får aldrig skarvas (om inget annat anges i detta dokument). Om instruktionerna inte följs kan det leda till överhettning eller brand.

⚠ Försiktighet:

- Jorda. Anslut inte jordledningen till gasledningar, vattenledningar eller telefonens jordledning. Felaktig jordning kan orsaka elstötar.
- Installera inte enheten där lättantändlig gas läcker ut. Om gas läcker ut och ansamlas runt enheten, kan det orsaka explosion.
- Installera en jordfelsbrytare beroende på var enheten installeras (där det är fuktigt). Om en jordfelsbrytare inte används kan det uppstå elstötar.

2. Välja plats för installationen

2.1. Utomhusenhet

- Där den inte utsätts för kraftig vind.
- Där luftflödet är tillräckligt och inte innehåller damm.
- Där den inte utsätts för regn eller direkt solljus.
- Där grannarna inte störs av driftsljud eller varm luft.
- Där det finns en styv vägg eller stöd som förhindrar förstärkning av driftsljud och vibrationer.
- Där det inte finns någon risk för att brännbara gaser läcker ut.
- När du installerar enheten högt, fäst enhetens ben.
- Minst 3 m från TV- och radioantennerna. (Annars kan bilden störas eller radiostörningar skapas.)
- Installera luftkonditioneringen på en plats som inte utsätts för snö eller blåsande snö. På platser med mycket snö ska en baldakin, sockel och/eller skärmar monteras.
- Installera enheten horisontellt.

- När du läst denna anvisning, förvara den tillsammans med bruksanvisningen hos kunden så att den finns nära till hands.

⚡ : Indikerar en del som måste jordas.

⚠ Varning:

Läs noga texten på alla dekaler på huvudenheten.

- Utför elarbeten enligt installationsanvisningen och använd en separat krets. Om spänningskapaciteten är otillräcklig eller elarbetena ofullständiga, kan det orsaka brand eller elstötar.
- Fäst skyddet över de elektriska delarna på inomhusenheten och servicepanelen på utomhusenheten ordentligt. Om skyddet över de elektriska delarna på inomhusenheten och/eller servicepanelen på utomhusenheten inte fästs ordentligt, kan det orsaka brand eller elstötar på grund av damm, vatten osv.
- Använd endast medföljande eller angivna delar vid installationen. Om du använder felaktiga delar kan det orsaka personskada eller vattenläckage på grund av brand, elstötar, att enheten faller osv.
- Vädra rummet om köldmedel läcker ur vid drift. Om köldmedel kommer i kontakt med öppen låga kan giftiga gaser utvecklas.
- Vid utpumpning av köldmedium ska kompressorn stoppas innan kylningsrören kopplas bort. Kompressorn kan spricka om luft osv. tränger in i den.
- När du installerar, flyttar eller utför service på luftkonditioneringen får endast det angivna kylmedlet (R410A) användas för att ladda kylmedelsrören. Blanda inte med andra kylmedel och låt inte luft vara kvar i rören. Om luft blandas med kylmedel kan det orsaka onormalt högt tryck i kylmedelsrören, vilket kan leda till explosion och andra faror. Användning av annat kylmedel än det som specificeras för systemet orsakar mekaniska fel, systemfel eller haveri. I värsta fall kan det leda till en allvarlig brist som hotar produktens säkerhet.

- Utför dränering/rördragnin enligt installationsanvisningen. Om något är fel i dräneringen/rördragningen kan vatten droppa från enheten och hushållsutrustning kan bli våt och förstöras.
- Dra åt en flänsmutter med momentnyckel enligt denna anvisning. Om den dras åt för hårt, kan flänsmuttern gå sönder efter lång tid och orsaka köldmedelsläckage.

⚠ Försiktighet:

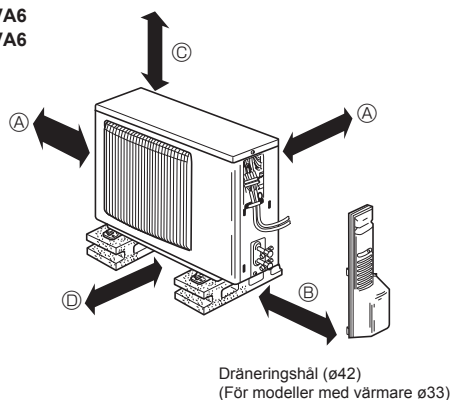
Undvik att installera luftkonditioneringen på följande platser, där det finns risk att det uppstår problem.

- Där det finns för mycket maskinolja.
- Salt miljö, som vid havet.
- Områden med heta källor.
- Där det finns sulfidgas.
- Övriga platser med speciell luft.

Utomhusenheten producerar kondensation under uppvärmning. Välj en installationsplats där utomhusenheten och/eller marken inte kan blötas ned av dräneringsvatten eller skadas av fryst dräneringsvatten.

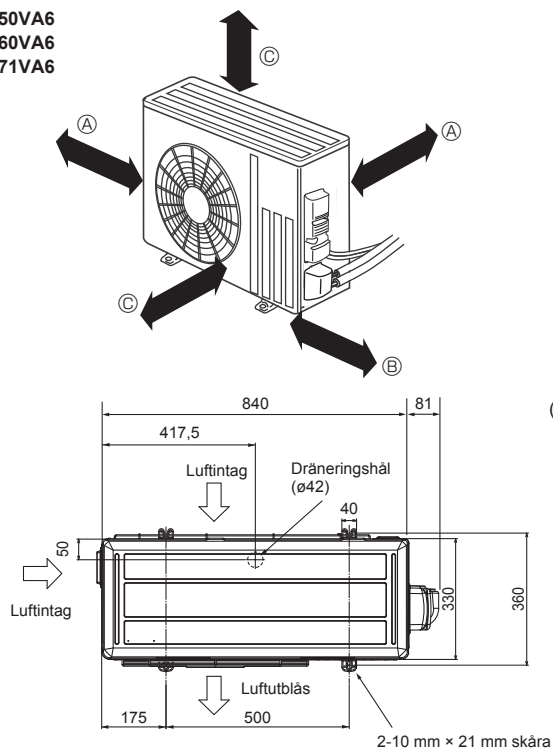
3. Installationsmall

- SUZ-KA25VA6
SUZ-KA35VA6



(mm)

- SUZ-KA50VA6
SUZ-KA60VA6
SUZ-KA71VA6



(mm)

Fig. 3-1

4. Dräneringsrör för utomhusenhet (Fig. 4-1)

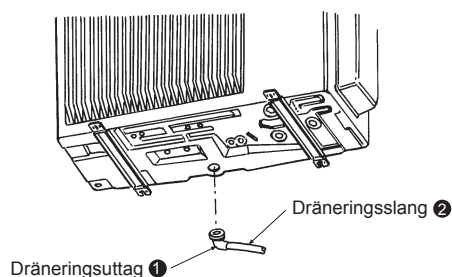


Fig. 4-1

3.1. Utomhusenhet (Fig. 3-1)

Ventilation och serviceavstånd

- SUZ-KA25VA6
SUZ-KA35VA6

- Ⓐ 100 mm eller mer
- Ⓑ 350 mm eller mer
- Ⓒ I grunden kunna öppnas 100 mm eller mer utan att framsidan eller båda sidorna förhindras.
- Ⓓ 200 mm eller mer (Öppna två sidor på vänster, höger eller baksida.)

- SUZ-KA50VA6
SUZ-KA60VA6
SUZ-KA71VA6

- Ⓐ 100 mm eller mer
- Ⓑ 350 mm eller mer
- Ⓒ 500 mm eller mer

När rörledningen ska fästas på vägg som innehåller metall (metallöverdragen) eller metallnät, använd en impregnerad träbit som är 20 mm eller tjockare mellan väggen och rörledningen eller tejsa 7 till 8 varv eltejp runt rörledningen.

Enheter bör installeras av behörig installatör enligt lokala föreskrifter.

Obs:

Följ instruktionerna nedan när luftkonditioneringen används vid låga utomhustemperaturer.

- Installera aldrig utomhusenheten på en plats där luftintaget/luftutblåset direkt kan utsättas för bläst.
- För att förhindra att utomhusenheten utsätts för bläst ska den installeras med luftintagets sida riktad mot en vägg.
- För att förhindra att utomhusenheten utsätts för bläst rekommenderar vi att en skärm monterar på luftutblåsets sida.

4.1. Tillbehör

Kontrollera följande delar före installationen.

<Utomhusenhet>

①	Dräneringsuttag	1
---	-----------------	---

- Montera dräneringsrör innan inom- och utomhusenheternas rör ansluts. (Det är svårt att installera dräneringsuttag ① om inom- och utomhusenheternas rör ansluts före dräneringsrören eftersom utomhusenheten inte kan flyttas.)
- Anslut dräneringsslang ② (inhandlas i butik, inre diameter: 15 mm) så som visas på bilden för dränering.
- Se till att dräneringsrören lutar nedåt för att underlätta dräneringen.

Obs:

Använd inte dräneringsuttag ① på kalla platser. Dräneringen kan frysa vilket gör att fläkten stannar.

5. K ldmedelsr rsarbeten

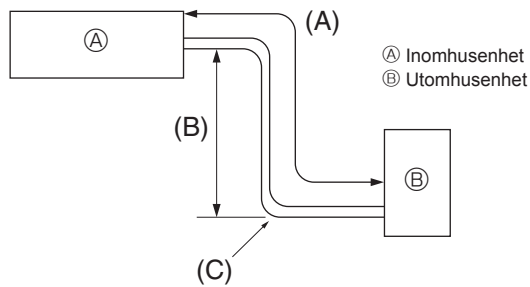


Fig. 5-1

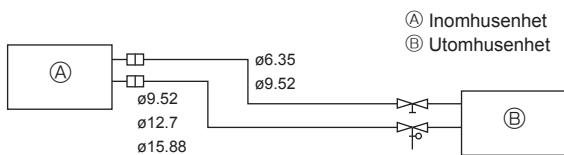


Fig. 5-2

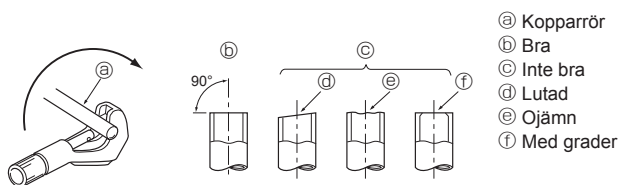


Fig. 5-3

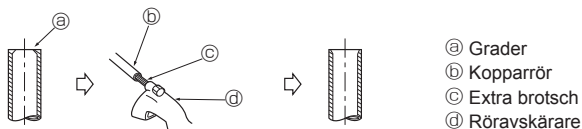


Fig. 5-4



Fig. 5-5

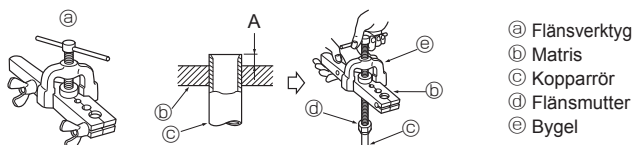


Fig. 5-6

5.1. Kylmedelsr r (Fig. 5-1)

► Kontrollera att h jdskillnaden mellan inomhus- och utomhusenheterna, l ngden p  kylmedelsr ren och antalet kr kar p  r ren  r inom de gr nsor som visas nedan.

Modeller	(A) R�rl�ngd (en riktning)	(B) H�jdskillnad	(C) Antal kr�kar (en riktning)
SUZ-KA25/KA35	Max. 20 m	Max. 12 m	Max. 10 st.
SUZ-KA50/KA60/KA71	Max. 30 m	Max. 30 m	Max. 10 st.

- Gr nserna f r h jdskillnaderna  r bindande oavsett vilken enhet, inomhus- eller utomhusenheten, som  r positionerad h gst.
- Kylningsjusteringar...Om r rl ngden  verstiger 7 m m ste ytterligare kylningsgas (R410A) laddas.
(Utomhusenheten  r laddad med kylmedium f r r rl ngder upp till 7 m.)

R�rl�ngd	Upp till 7 m	Ingen ytterligare laddning n�dv�ndig.
	�ver 7 m	Ytterligare laddning n�dv�ndig. (Se tabellen nedan.)
Kylningsgas som ska laddas	SUZ-KA25/KA35 typ	30 g × (Kylningsr�rl�ngd (m) - 7)
	SUZ-KA50/KA60 typ	20 g × (Kylningsr�rl�ngd (m) - 7)
	SUZ-KA71 typ	55 g × (Kylningsr�rl�ngd (m) - 7)

(1) Tabellen nedan visar specifikationer f r vanliga r r.

Modell	R�r	Yttre diameter		Minsta v�gg tjocklek	Isolerings-tjocklek	Isoleringsmaterial
		mm	tum			
SUZ-KA25	F�r v�tska	6,35	1/4	0,8 mm	8 mm	V�rmebest�ndig skumplast 0,045 specifik vikt
	F�r gas	9,52	3/8	0,8 mm	8 mm	
SUZ-KA35	F�r v�tska	6,35	1/4	0,8 mm	8 mm	
	F�r gas	9,52	3/8	0,8 mm	8 mm	
SUZ-KA50	F�r v�tska	6,35	1/4	0,8 mm	8 mm	
	F�r gas	12,7	1/2	0,8 mm	8 mm	
SUZ-KA60	F�r v�tska	6,35	1/4	0,8 mm	8 mm	
	F�r gas	15,88	5/8	0,8 mm	8 mm	
SUZ-KA71	F�r v�tska	9,52	3/8	0,8 mm	8 mm	
	F�r gas	15,88	5/8	1,0 mm	8 mm	

- (2) Se till att de tv  kylningsr ren  r v l isolerade f r att undvika kondensation.
(3) Kylningsr rens b jningsradie m ste vara 100 mm eller mer.

⚠ F rsiktighet:

Isolera noggrant med isolering med angiven tjocklek. F r tjock tjocklek g r att de inte g r att lagra bakom inomhusenheten och f r tunn tjocklek orsakar daggdroppar.

5.2. Fl nsning

- Huvudorsaken till gasl ckage  r underm lig fl nsning.
Utf r korrekt fl nsning enligt f ljande.

5.2.1. Sk ra av r r (Fig. 5-3)

- Sk r av kopparr ret p  r tt s tt med en r ravs rare.

5.2.2. Avgradning (Fig. 5-4)

- Ta bort alla grader fr n r rets avskurna tv rsnitt.
- Placera kopparr rets  nde ned t n r du tar bort grader f r att f rhindra att grader faller ned i r ret.

5.2.3. S tta p  mutter (Fig. 5-5)

- Ta bort de fl nsmuttrar som sitter p  inom- och utomhusenheterna. Placera dem p  r ret n r avgradningen  r klar.
(det g r inte att s tta p  dem efter fl nsningen)

5.2.4. Fl nsning (Fig. 5-6)

- Utf r fl nsningen med ett fl nsverktyg enligt bilden till h ger.

R�rdiameter (mm)	m�tt	
	A (mm)	B ⁺⁰ _{-0,4} (mm)
	N�r verktyget f�r R410A anv�nds	
	Kopplingstyp	
6,35	0 - 0,5	9,1
9,52	0 - 0,5	13,2
12,7	0 - 0,5	16,6
15,88	0 - 0,5	19,7

H ll fast kopparr ret i en matris med den dimension som visas i tabellen ovan.

5. Köldmedelsrörsarbeten

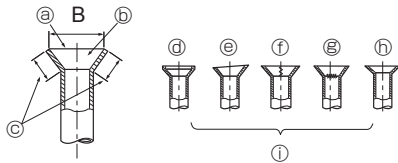


Fig. 5-7

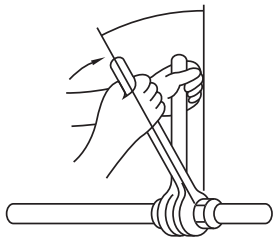


Fig. 5-8

5.2.5. Kontrollera (Fig. 5-7)

- Jämför flänsningen med figuren till höger.
- Om flänsen är dålig, skär av den flänsade delen och utför flänsningen igen.

- Ⓐ Jämn hela vägen runt
- Ⓑ Insidan är blank utan repor
- Ⓒ Jämn längd runt om
- Ⓓ För mycket
- Ⓔ Lutad
- Ⓕ Repa på flänsytan
- Ⓖ Sprucken
- Ⓗ Ojämn
- Ⓖ Dåliga exempel

- Sätt på ett tunt lager köldmedelsolja på rörets anslutningsyta. (Fig. 5-8)
- Centrera först vid anslutningen, och dra sedan åt flänsmuttern de första 3 till 4 varven.
- Använd tabellen över åtdragningsmoment nedan som riktlinje för anslutningar på inomhussidan, och dra åt med två nycklar. Om du drar åt för mycket skadas flänsdelen.

Kopparrör Y.D. (mm)	Flänsmuttern Y.D. (mm)	Åtdragningsmoment (N·m)
ø6,35	17	14 - 18
ø9,52	22	34 - 42
ø12,7	26	49 - 61
ø15,88	29	68 - 82

⚠ Varning:

Vid installation av enheten ska kylningsrören anslutas ordentligt innan kompressorn startas.

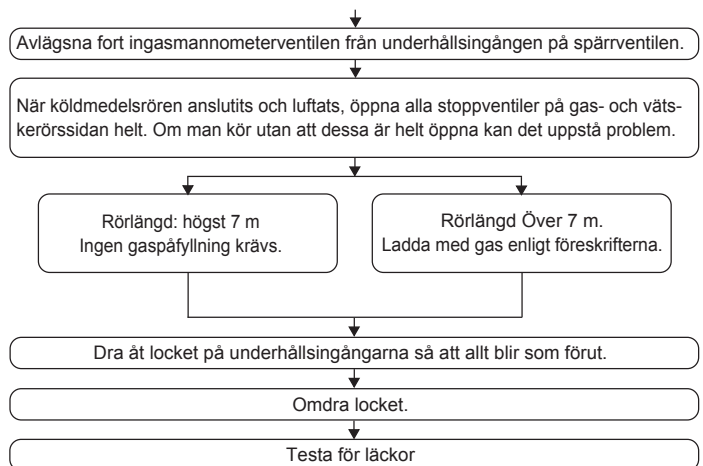
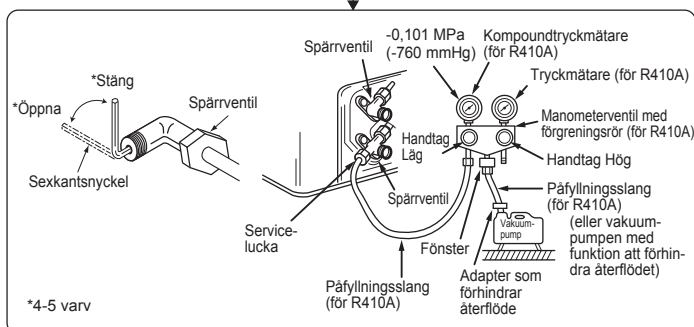
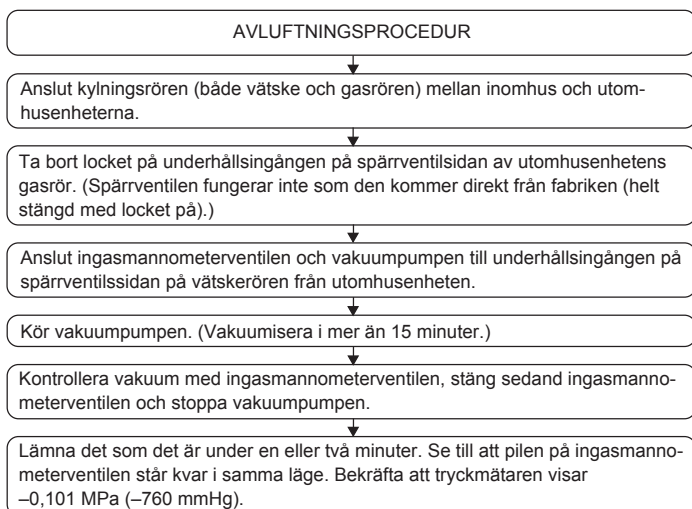
⚠ Varning:

Se upp för flygande flänsmuttrar! (på grund av internt tryck)

Ta bort flänsmuttern enligt följande:

1. Lossa muttern tills du hör ett väsande.
2. Ta inte bort muttern innan all gas släppts ut (dvs när väsandet upphör).
3. Kontrollera att all gas släppts ut och ta sedan bort muttern.

5.5. Läckageprov vid luftning



6. Elektriska arbeten

6.1. Utomhusenhet (Fig. 6-1, Fig. 6-2, Fig. 6-3, Fig. 6-4)

- ① Ta bort servicepanelen.
- ② Anslut kablar med hänvisning till Fig. 6-1, Fig. 6-2, Fig. 6-3 och Fig. 6-4.

■ SUZ-KA25/35/50VA6

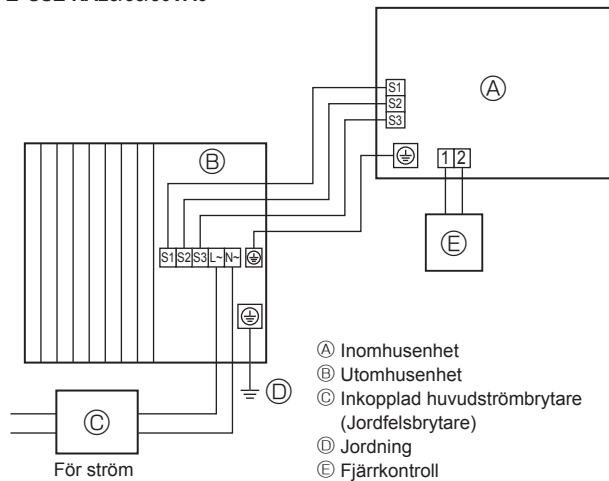
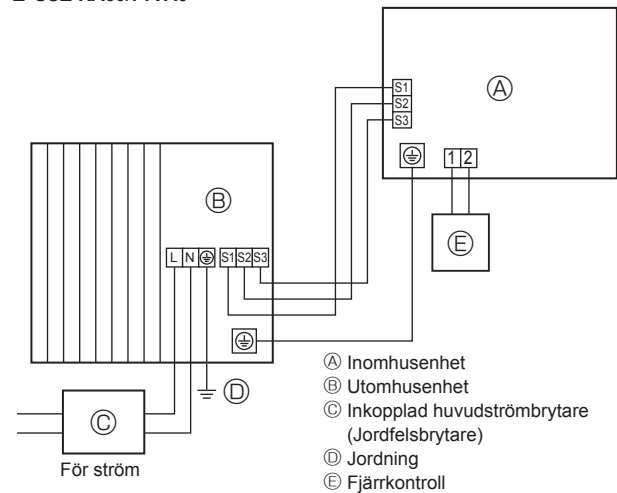


Fig. 6-1

■ SUZ-KA60/71VA6



Inomhusenhetens uttagsbädd

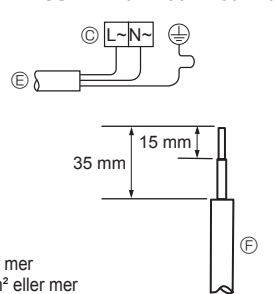
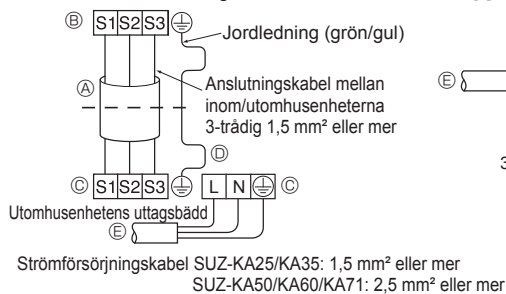


Fig. 6-2

- Utför ledningsdragningen enligt diagrammet till vänster. (Köp in kabeln lokalt) (Fig. 6-2)
- Använd endast kablar med rätt polaritet.
- Ⓐ Anslutningskabel
- Ⓑ Kopplingsplint för inomhusenhet
- Ⓒ Kopplingsplint för utomhusenhet
- Ⓓ Installera alltid en jordledning som är längre än övriga kablar
- Ⓔ Strömförsörjningskabel
- Ⓕ Kabel

■ SUZ-KA25/35VA6

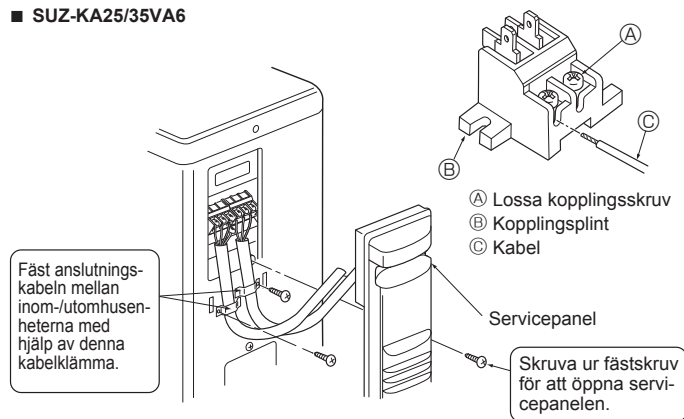


Fig. 6-3

- Gör jordledningen lite längre än de övriga. (Mer än 100 mm)
- Gör anslutningskablarna extra långa för framtida underhåll.
- Kom ihåg att fästa skruvarna i motsvarande uttag när sladdar och/eller kablar ansluts till kopplingsplinten.

- Anslut kabeln från inomhusenheten korrekt i kopplingsplinten.
- Använd samma kopplingsplint och polaritet som med inomhusenheten.
- För underhåll i efterhand, gör anslutningskabeln extra lång.

- Anslutningskabelns båda ändar (förlängning) skalas. Om den är för lång, eller om den ansluts genom att mitten skärs av, skala elkabeln till längden i bilden.
- Var försiktig så att anslutningskabeln inte kommer i kontakt med rörledningen.

■ SUZ-KA50/60/71VA6

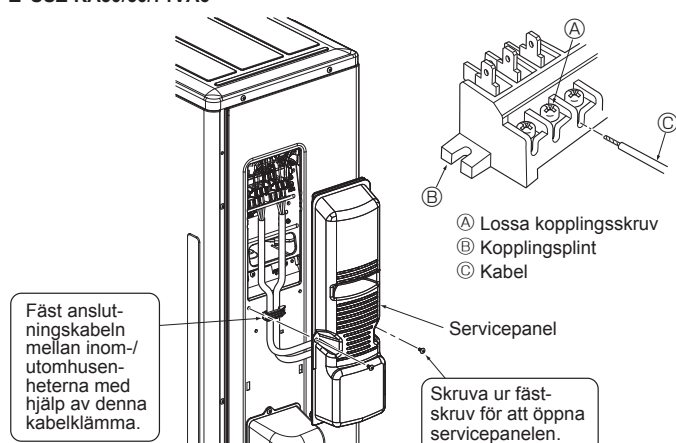


Fig. 6-4

⚠ Försiktighet:

- Var försiktig så att du inte ansluter kablar fel.
- Dra åt kopplingskruvorna ordentligt så att de inte lossnar.
- Efter åtdragningen, dra lätt i kablar för att kontrollera att de inte rör sig.

⚠ Varning:

- Fäst utomhusenhetens servicepanel ordentligt. Om den inte är fäst korrekt, kan det orsaka brand eller elstötar på grund av damm, vatten osv.
- Dra åt kopplingskruvorna ordentligt.
- Kabeldragningen ska utföras så att elledningarna inte belastas. Annars kan värme genereras eller brand uppstå.

6. Elektriska arbeten

6.2. Elektrisk ledningsdragning på platsen

Utomhusenhet, modell		SUZ-KA25/KA35	SUZ-KA35 *3	SUZ-KA50/KA60/KA71
Utomhusenhet, strömförsörjning		~/N (enkel), 50 Hz, 230 V	~/N (enkel), 50 Hz, 230 V	~/N (enkel), 50 Hz, 230 V
Utomhusenhet, inkapacitet				
Huvudströmbrytare (Brytare)		*1 10 A	16 A	20 A
Ledningsdragning x storlek (mm ²)	Utomhusenhet, strömförsörjning	2 x Min. 1,5	2 x Min. 2,0	2 x Min. 2,5
	Utomhusenhet, strömförsörjning jord	1 x Min. 1,5	1 x Min. 2,0	1 x Min. 2,5
	Inomhusenhet-Utomhusenhet	3 x 1,5 (Polär)	3 x 1,5 (Polär)	3 x 1,5 (Polär)
	Inomhusenhet-Utomhusenhet jord	1 x Min. 1,5	1 x Min. 1,5	1 x Min. 1,5
Kretsens märkdatab	Utomhusenhet L-N	*2 230 VAC	230 VAC	230 VAC
	Inomhusenhet-Utomhusenhet S1-S2	*2 230 VAC	230 VAC	230 VAC
	Inomhusenhet-Utomhusenhet S2-S3	*2 12 VDC – 24 VDC	12 VDC – 24 VDC	12 VDC – 24 VDC

*1. En brytare med minst 3 mm mellan kontaktarna i uttagen ska tillhandahållas. Använd en jordströmsbrytare (NV).

Säkerställ att jordfelsbrytaren är kompatibel med högre svängningar.

Använd alltid en jordfelsbrytare som är kompatibel med högre svängningar eftersom denna enhet är utrustad med en växelriktare.

Om en otillräcklig brytare används kan växelriktaren fungera felaktigt.

*2. Värdena gäller INTE alltid jord.

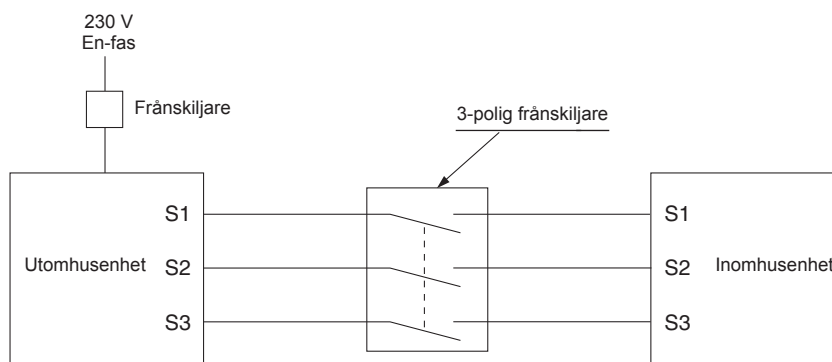
S3-uttaget har 24 VDC till S2-uttaget. Mellan S3 och S1 är uttagen INTE elektriskt isolerade av transformator eller någon annan enhet.

*3. I fall av PEAD-RP35JA-seriekombination.

Obs: 1. Ledningsstorleken måste uppfylla tillämpliga lokala och nationella föreskrifter.

2. Nätströmsladdar och anslutningsladdar för inom- och utomhusenheter bör inte vara lättare än polykloroprenskärmad böjlig sladd. (Konstruktion 60245 IEC 57)

3. Montera en jordkabel som är längre än de övriga kablarna.

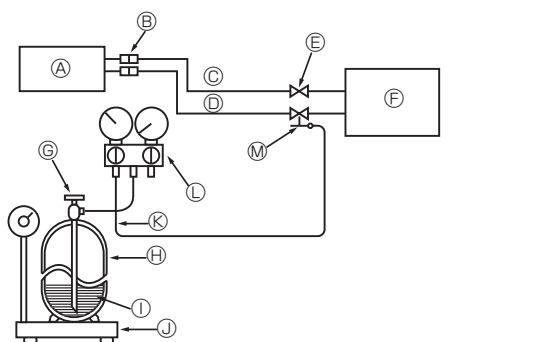


⚠ Varning:

Det finns högspänningspotential på S3-uttaget som orsakar av att de elektriska kretsarna saknar elektrisk isolering mellan strömledningen och signalledningen. Därför bör huvudströmmen stängas av vid underhåll. Ta inte på uttagen S1, S2 eller S3 när strömmen är på. Använd en 3-polig fränkskijare om en fränkskijare monteras mellan inom- och utomhusenheterna.

Strömkabeln eller kabeln för utomhusanslutningar får aldrig skarvas. Det kan leda till rökbildning, brand eller kommunikationsfel.

7. Underhåll



- | | |
|---------------------------------|---|
| (A) Inomhusenheten | (H) Kylgascylinder för R410A med sifon |
| (B) Anslutning | (I) Kylmedium (vätskefas) |
| (C) Vätskerör | (J) Elektronisk väg för påfyllning av kylmedium |
| (D) Gasrör | (K) Laddningsslang (för R410A) |
| (E) Spärrventil | (L) Manometergrenrör med ventiler (för R410A) |
| (F) Utomhusenhet | (M) Underhållsöppning |
| (G) Kylgascylinderns styrventil | |

Fig. 7-1

7.1. Gaspåfyllning (Fig. 7-1)

1. Anslut gascylindern till stoppventilens serviceport (3-vägs).
2. Avlufta det rör (eller den slang) som kommer från köldmedelsgascylindern.
3. Fyll på angiven mängd köldmedel, medan luftkonditioneringen körs för kylning.

Obs:

När kylmedel tillsätts ska specificerade mängd tillsättas för varje kylningscykel.

⚠ Försiktighet:

- Släpp inte ut kylmedlet i atmosfären.
Var försiktig så att kylmedlet inte kommer ut i atmosfären under installation, återinstallation eller reparation av kylmedelskretsen.
- Vid ytterligare påfyllning, byt kylmedel i flytande form i gasbehållaren.
Om kylmedlet bytes i gasform, kan sammansättningen för kylmedlet i cylindern och utomhusenheten förändras. I ett sådant fall kan kapaciteten under kylcykeln försämrats eller normal funktion bli helt omöjlig. Påfyllning av allt kylmedel på en gång låsa kompressorn, fyll därför på kylmedlet sakta.

Värm cylindern i varmt vatten (under 40°C) när det är kallt för att bibehålla ett högt tryck i cylindern. Värm den dock aldrig under öppen låga eller med ånga.

8. Urpumpning

Vid omplacering eller avyttrande av luftkonditioneraren, följ nedanstående anvisningar för att pumpa ur systemet så att inte köldmedium släpps ut i atmosfären.

- ① Stäng av strömförsörjningen (strömbrytare).
- ② Anslut ingasmanometerventilen till spärrventilens serviceport på utomhusenhetens gasrörssida.
- ③ Stäng spärrventilen helt på utomhusenhetens vätskerörssida.
- ④ Slå på strömmen (strömbrytare).
- ⑤ Utför proceduren för uppsamling av köldmedel (testkörning för kylning).
 - På PAR-31MAA ska du starta testkörningen genom att välja "Service" → "TestRun" (Testkörning) på huvudmenyn och sedan välja kylläget.
 - Mer detaljerad information eller information om att starta testkörningen när fjärrkontroller används finns i inomhusenhetens eller fjärrkontrollens installationshandbok.
- ⑥ Stäng spärrventilen helt på utomhusenhetens gasrörssida när tryckmätaren visar 0,05 till 0 MPa [Mätare] (ca 0,5 till 0 kgf/cm²) och stoppa luftkonditioneringen snabbt.
 - Stoppa luftkonditioneringen genom att trycka på "ON/OFF"-knappen på fjärrkontrollen.
 - * Observera att om förlängningsrören är mycket långa med en stor mängd köldmedel kanske det inte går att genomföra en återvinning. I sådant fall ska du samla upp köldmedlet i systemet med en utrustning för köldmedelsuppsamling.

- ⑦ Stäng av strömförsörjningen (strömbrytare), avlägsna ingasmanometerventilen och koppla bort köldmedelsrören.

⚠ Varning:

Vid uppsamling av köldmedium ska kompressorn stoppas innan köldmedelsrören kopplas bort.

- Om köldmedelsrören kopplas bort när kompressorn är igång och stoppventilen (kulventilen) är öppen, kan trycket i kylningscykeln bli extremt högt om luft sugs in vilket kan leda till att rören sprängs eller att personskador uppstår osv.

9. Specifikationer

Utomhusmodell		SUZ-KA25VA6.TH	SUZ-KA35VA6.TH	SUZ-KA50VA6.TH	SUZ-KA60VA6.TH	SUZ-KA71VA6.TH
Strömtillförsel		En-fas 230 V, 50 Hz				
Mått B × H × D	mm	800 × 550 × 285			840 × 880 × 330	
Vikt	kg	30	35	54	50	53
Ljudnivå *1	Kylning	47	49	52	55	
	Uppvärmning	48	50	52	55	

*1 Uppmätt vid nominell driftfrekvens.

İçindekiler

1. Emniyet için her zaman dikkat edilmesi gereken hususlar	72	6. Elektrikle ilgili çalışma	76
2. Tesis edilecek bölgenin seçimi	72	7. Bakım	77
3. Montaj şeması	73	8. Aşağı pompalama	78
4. Dış ünite drenaj borusu	73	9. Spesifikasyonlar	78
5. Soğutma borusu çalışması	74		

1. Emniyet için her zaman dikkat edilmesi gereken hususlar

- Lütfen klima cihazı için ayrı bir elektrik devresi sağlayın ve başka elektrikli cihazları bu devreye bağlamayın.
- Klima cihazını tesis etmeden evvel "Emniyet için her zaman dikkat edilmesi gereken hususlar" kısmını dikkatlice okuyunuz.
- Güvenliğiniz için çok yakından ilgili olmasından dolayı dikkat kısımlarını gözden geçirin.
- Semboller ve anlamları gösterildiği gibidir.

⚠ Uyarı:

Ölüm veya ağır yaralanma uyarılarını gösterir.

⚠ Uyarı:

- Kendiniz (satın alıcı) monte etmeyiniz. Hatalı montaj sonucunda yangın, elektrik çarpması, ünitenin düşmesi veya su sızıntısı sonucu yaralanma gibi sonuçlar meydana gelebilir. Klimayı satın aldığınız bayiye veya özel bir tesisatçıya başvurunuz.
- Bu cihaz uzman ya da mağazalarda, hafif sanayi ve çiftliklerdeki eğitimli kullanıcılar tarafından ya da belirli bir meslekten olmayan kişiler tarafından kullanıma yöneliktir.
- Üniteyi, ünitenin ağırlığını taşıyabilecek sağlam yapıya yerlere tesis ediniz. Yeteri derecede sağlam olmayan yerlere tesisi sonucunda ünitenin düşmesi yaralanmaya sebep olabilir.
- İç ve dış ünite kablo bağlantılarını güvenli şekilde yapabilmek için belirtilen kablo tiplerini kullanın ve kablo uçlarını olabilecek durumlarda yuvalardan çıkmamaları için terminal yatağındaki yerlerine sıkıca bağlayınız. Hatalı bağlantılar ve tutturma yangına sebep olabilir.
- Güç kablosunu orta yerinden kesip uzatma yapmayınız veya uzatma kablosunu kullanmayınız ya da aynı AC çıkışında birden fazla cihaz kullanmayınız. Hatalı bağlantılar veya hatalı izolasyon sonucu voltajın düşmesi veya artması ile yangın veya elektrik çarpması meydana gelebilir.
- Tesisat işlemi bittikten sonra soğutucu gaz sızıntısı olup olmadığını kontrol ediniz.
- Tesis etme işlemi yaparken tesis etme yardımcı kılavuzuna başvurunuz. Hatalı tesis etme sonucunda yangın, elektrik çarpması, ünitenin düşmesi veya su sızıntısı sonucu yaralanma gibi sonuçlar meydana gelebilir.
- Kablolama için sadece belirtilen kabloları kullanın. Kablolama bağlantıları, terminal bağlantılarında hiç gerilim uygulanmadan güvenli yapılmalıdır. Ayrıca kablolama için kabloları hiçbir zaman birbirine bağlamayın (tersi bu belgede belirtilmedikçe). Bu talimatlara uyulmaması aşırı ısınmaya ya da yangına neden olabilir.
- Elektrikle ilgili çalışmalarda kılavuza başvurunuz ve klima için ayrı bir güç

⚠ Dikkat:

- Topraklama yapınız. Topraklama kablosunu gaz borusuna, su borusuna veya yeraltı telefon hattına bağlamayınız. Hatalı topraklama elektrik çarpmasına neden olabilir.
- Üniteyi yanıcı gaz sızıntısı olabilecek yerlere tesis etmeyiniz. Gaz sızıntı yaparsa ve sızan gazlar klima etrafında toplanırsa, bir patlama meydana gelebilir.
- Tesis edilen yeri göz önünde bulundurarak (nemli bir yer) toprak kaçığına karşı devre kesici takınız. Toprak kaçığına karşı devre kesici takılmaması halinde elektrik çarpması meydana gelebilir.

2. Tesis edilecek bölgenin seçimi

2.1. Dış ünite

- Şiddetli rüzgarlara açık olmayan yerler.
- Tozdan arınmış temiz hava alan yerler.
- Yağmur ve güneş ışığını direkt olarak almayan yerler.
- Dış ünite çalışırken çıkacak olan ses ve ısıdan çevrenin rahatsız olmayacağı yerler.
- Ses ve titreşim artışını önlemek için sağlam duvarlar veya desteklerin olduğu yerler.
- Gaz sızıntısı riski olmayan yerler.
- Üniteyi yüksek yerlere tesis ederken ünitenin ayaklarını taktığınızdan emin olun.
- TV cihazı veya radyo anteninden en az 3 m uzakta bulunacağı bir yer. (Aksi halde, resim bozulabilir veya ses oluşabilir.)
- Lütfen kar yağışı ve kar fırtınasından etkilenmeyeceği bir yere kurun. Yoğun kar yağışı olan yerlerde, lütfen tente, kaide ve/veya bazı kontrol kartları yerleştirin.
- Üniteyi yatay olarak tesis edin.

⚠ Dikkat:

- Doğru çalıştırılmadığında ciddi yaralanmalara sebep olacak uyarıları gösterir.
- Bu kılavuzu okuduktan sonra kullanma kılavuzuyla birlikte el altında olacak bir yerde muhafaza ediniz.



: Topraklanması yapılması gereken bir parçayı gösterir.

⚠ Uyarı:

Ana ünite üzerindeki etiketleri dikkatlice okuyunuz.

devresi kullanınız.

Devrenin kapasitesi yetmiyorsa veya elektrikle ilgili çalışmalarda bir hata varsa bu yangına veya elektrik çarpmasına sebep olabilir.

- İç ünitenin elektrik devre kapağını takınız ve dış ünitenin sıkıca kapatınız. İç ünitenin elektrik devre kapağının veya dış ünitenin servis kapağının sıkıca kapatılmadığı durumlarda toz ve su gibi iletici maddeler sebebi ile yangın veya elektrik çarpmaları meydana gelebilir.
- Klimanın tesisi sırasında belirtilen parça yerine yanlış parça kullanmamaya dikkat ediniz. Yanlış parça kullanma sonucunda su sızıntısı, yangın, elektrik çarpması, ünitenin düşmesi sonucu yaralanma gibi sonuçlar doğabilir.
- Çalışma sırasında soğutucu sızıntı yaparsa, odayı havalandırınız. Soğutucu alevle temas ederse, zehirli gazlar etrafa yayılır.
- Soğutucu gazı pompalarken, soğutucu borularını sökmeden önce kompresörü durdurun. Hava vb. maddelerin içine girmesi durumunda kompresör patlayabilir.
- Klimanın montajını yaparken, yerini değiştirirken veya bakımını yaparken soğutucu hatlarını doldurmak için yalnızca belirtilen soğutucuyu (R410A) kullanın. Bu soğutucuyu diğer soğutucularla karıştırmayın ve hatlarda hava kalmamasını sağlayın. Havanın soğutucuyla karışması, soğutucu hattında anormal bir basınç oluşmasına neden olabilir ve bu da patlamaya veya diğer tehlikelerin ortaya çıkmasına neden olabilir. Sistem için belirtilenden farklı bir soğutucunun kullanılması mekanik arızaya, sistemin bozulmasına veya ünitenin arızalanmasına neden olabilir. Bu durum, en kötü ihtimalde ürün güvenliğinin sağlanması açısından bir engel ortaya çıkarabilir.

- Pis su ve diğer boru tesisi ile ilgili çalışmalarda kılavuza başvurunuz. Pis su ve diğer boru tesisi işlemlerinde bir hata yapılması üniteden su damlaması sonucu etrafta bulunan eşyaların zarar görmesine sebep olur.
- Bu el kitabında belirtildiği gibi geçme somununu tork anahtar ile sıkıştırın. Aşırı sıkıştırılırsa geçme somunu uzun süre sonra kırılabilir ve soğutma sıvısı kaçığına yol açabilir.

⚠ Dikkat:

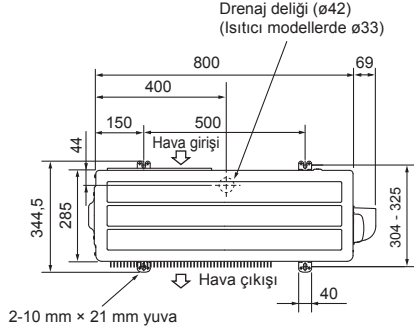
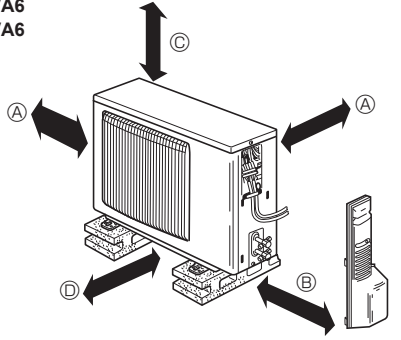
Klimayı aşağıda belirtilen sorun çıkarabilecek yerlere yerleştirmekten kaçınınız.

- Makine yağlarının çok bulunduğu yerler.
- Deniz kıyısı gibi tuzlu yerler.
- Kaplıcaların bulunduğu yerler.
- Sülfid gazlarının bulunduğu yerler.
- Diğer özel hava şartlarının bulunduğu yerler.

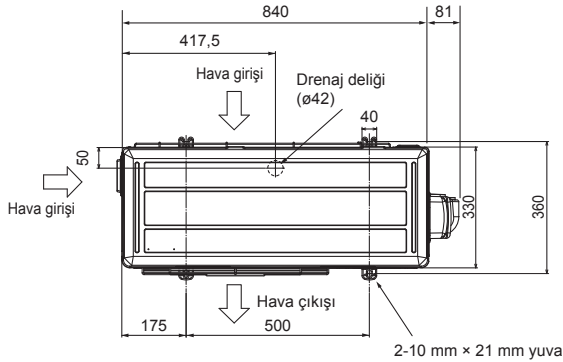
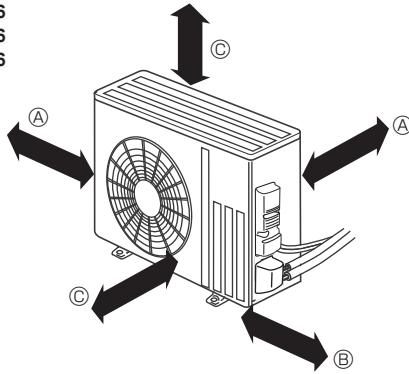
Dış mekan ünitesi ısıtma işlemi sırasında nem üretir. Dış mekan ünitesinin ve/veya toprak bağlantılarının drenaj suyu ya da drenaj suyunun donması nedeniyle zarar görmeyeceği bir yeri, kurulum yeri olarak seçin.

3. Montaj şeması

■ SUZ-KA25VA6 SUZ-KA35VA6



■ SUZ-KA50VA6 SUZ-KA60VA6 SUZ-KA71VA6



Şekil. 3-1

3.1. Dış ünite (Şekil. 3-1)

Havalandırma ve servis alanı

■ SUZ-KA25VA6 SUZ-KA35VA6

- Ⓐ 100 mm veya daha fazla
- Ⓑ 350 mm veya daha fazla
- Ⓒ Temel olarak ünitenin her iki tarafı ve ön kısmında herhangi bir şekilde engellenmeyecek şekilde 100 mm veya daha fazla boşluk olmalıdır.
- Ⓓ 200 mm veya daha fazla (Sol, sağ veya arka tarafın iki kenarı da açık).

■ SUZ-KA50VA6 SUZ-KA60VA6 SUZ-KA71VA6

- Ⓐ 100 mm veya daha fazla
- Ⓑ 350 mm veya daha fazla
- Ⓒ 500 mm veya daha fazla

(mm)

Borular metal (teneke kaplamalı) veya metal ağ içeren bir duvara monte edileceği zaman duvarla boruların arasına kimyasal işlemden geçirilmiş 20 mm veya daha fazla kalınlıkta bir ağaç parçası koyun veya boruya 7 – 8 kere vinil izolasyon bandı sarın.

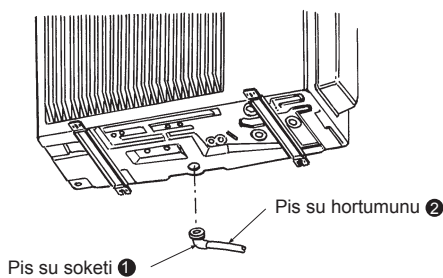
Üniteler yerel yönetmeliklere uygun olarak ruhsatlı müteahhitler tarafından monte edilmelidir.

Not:

Klimayı dışarıda hava sıcaklığı düşükken çalıştırıyorsanız, aşağıda açıklanan talimatlara uyduğunuzdan emin olun.

- Dış üniteyi kesinlikle hava giriş/çıkış tarafı doğrudan rüzgar alabilecek bir yerde kurmayın.
- Dış üniteyi, rüzgar almasını önlemek için hava giriş tarafı duvara gelecek şekilde kurun.
- Rüzgar almasını önlemek için dış ünitenin hava giriş tarafına bir hava levhası takmanız önerilir.

4. Dış ünite drenaj borusu (Şekil. 4-1)



Şekil. 4-1

4.1. Aksesuarlar

Montajdan önce aşağıdaki parçaların bulunup bulunmadığını kontrol edin.

<Dış ünite>

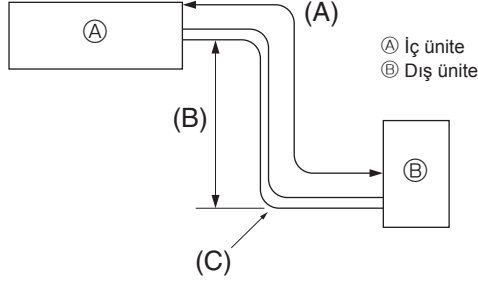
①	Pis su soketi	1
---	---------------	---

- Pis su borusunu iç ve dış boru bağlantılarından önce takın. (İç ve dış boru bağlantılarını pis su borusundan önce yerleştirirseniz, dış ünite sabit hale geleceği için pis su soketini ① takmak zorlaşır.)
- Pis suyu boşaltmak için pis su hortumunu ② (mağazalardan alınabilir, iç çapı: 15 mm) şekilde gösterildiği gibi bağlayın.
- Pis suyun kolay akması için, pis su borusuna aşağı yönde eğim vererek taktığınızdan emin olun.

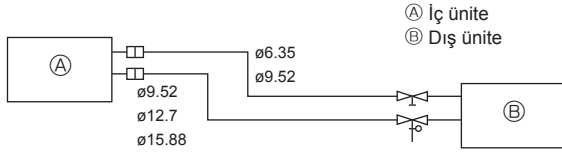
Not:

Pis su soketini ① soğuk bölgelerde kullanmayın. Pis su donabilir ve fanın durmasına neden olabilir.

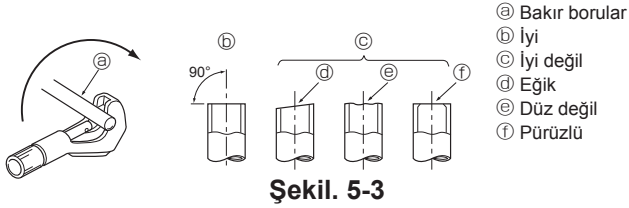
5. Soğutma borusu çalışması



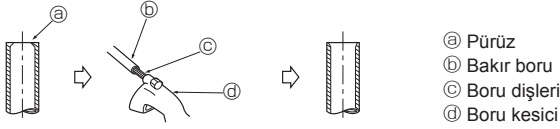
Şekil 5-1



Şekil 5-2



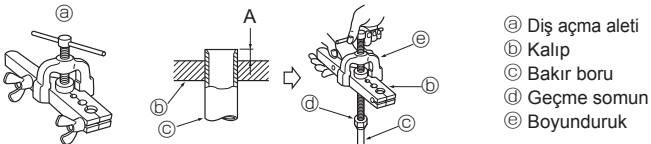
Şekil 5-3



Şekil 5-4



Şekil 5-5



Şekil 5-6

5.1. Soğutma borusu (Şekil. 5-1)

► İç ve dış ünite yüksekliği arasındaki farkı kontrol edin, soğutma borusu uzunluğu ve borudaki eğimlerin sayısı aşağıda belirtilen sınırlarda olmalıdır.

Modeller	(A) Boru uzunluğu (tek yönden)	(B) Yükseklik farkı	(C) Eğim sayısı (tek yönden)
SUZ-KA25/KA35	maks. 20 m	maks. 12 m	maks. 10
SUZ-KA50/KA60/KA71	maks. 30 m	maks. 30 m	maks. 10

- Yükseklik farkı sınırlamaları iç veya dış ünite olmak üzere hangi ünitenin daha yükseğe yerleştirildiğine bakılmaksızın bağlayıcıdır.
- Soğutucu ayarı ... Boru uzunluğu 7 m'yi geçiyorsa, ilave soğutucu (R410A) koymak gereklidir. (Dış ünite 7 metreye kadar boru için şarj edilmiştir.)

Boru uzunluğu	7 metreye kadar	İlave gerekmez.
	7 metreden fazla	İlave gereklidir. (Aşağıdaki tabloya bakın.)
İlave edilecek	SUZ-KA25/KA35 tipi	30 g × (soğutma borusu uzunluğu (m) -7)
	SUZ-KA50/KA60 tipi	20 g × (soğutma borusu uzunluğu (m) -7)
	SUZ-KA71 tipi	55 g × (soğutma borusu uzunluğu (m) -7)

(1) Aşağıdaki tabloda piyasada mevcut olan boruların özellikleri gösterilmektedir.

Model	Boru	Dış çap		Min. duvar kalınlığı	İzolasyon kalınlığı	İzolasyon malzemesi
		mm	inç			
SUZ-KA25	Sıvı için	6,35	1/4	0,8 mm	8 mm	Isıya dayanıklı köpük plastik 0,045 özgül ağırlık
	Gaz için	9,52	3/8	0,8 mm	8 mm	
SUZ-KA35	Sıvı için	6,35	1/4	0,8 mm	8 mm	
	Gaz için	9,52	3/8	0,8 mm	8 mm	
SUZ-KA50	Sıvı için	6,35	1/4	0,8 mm	8 mm	
	Gaz için	12,7	1/2	0,8 mm	8 mm	
SUZ-KA60	Sıvı için	6,35	1/4	0,8 mm	8 mm	
	Gaz için	15,88	5/8	0,8 mm	8 mm	
SUZ-KA71	Sıvı için	9,52	3/8	0,8 mm	8 mm	
	Gaz için	15,88	5/8	1,0 mm	8 mm	

- (2) Yoğunlaşmayı önlemek için 2 soğutma borusunu da iyi şekilde izole edin.
- (3) Soğutma borusu bükümü yarıçapı 100 mm veya daha fazla olmalıdır.

⚠ Dikkat:

İzolasyon işlemini belirtilen kalınlıkta yapamaya dikkat edin. Aşırı kalın yapılan izolasyon iç ünitenin yanlış montajına ve aşırı incelik ise çığlenmeye neden olur.

5.2. Borularla ilgili çalışmalar

- Gaz sızıntılarının ana sebebi boru bağlantılarında yapılan hatalardır. Hatasız çalışma için prosedürü uygulayın.

5.2.1. Boru kesme (Şekil. 5-3)

- Bir boru keski kullanarak bakır boruyu doğru şekilde kesin.

5.2.2. Pürüzlerin giderilmesi (Şekil. 5-4)

- Boru kesitindeki pürüzleri tamamen giderin.
- Pürüzleri giderirken bakır borunun ucunu aşağıya doğru tutun ki kırıntılar borunun içine düşmesin.

5.2.3. Somun takma (Şekil. 5-5)

- İç ve dış üniteye takılı bulunan somunları sökün ve pürüzlerden tamamen arınmış boruya geçirin. (çalışma tamamlandıktan sonra takmak mümkün değildir)

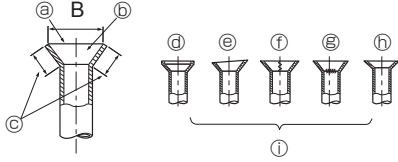
5.2.4. Dış açma (Şekil. 5-6)

- Dış açma işlemini dış açma anahtarını kullanarak sağda gösterildiği gibi yapın.

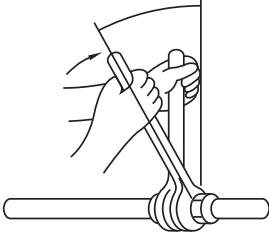
Boru çapı (mm)	Büyüklik	
	A (mm)	B ⁺⁰ _{-0,4} (mm)
	R410A için olan alet kullanıldığında	
	Kavrama tipi	
6,35	0 - 0,5	9,1
9,52	0 - 0,5	13,2
12,7	0 - 0,5	16,6
15,88	0 - 0,5	19,7

Bakır boruyu yukarıdaki tabloda gösterilen büyüklükteki bir metal kalıbın içinde tutun.

5. Soğutma borusu çalışması



Şekil. 5-7



Şekil. 5-8

5.2.5. Kontrol (Şekil. 5-7)

- Dış açma işlemini sağdaki şekilde gösterilenle karşılaştırın.
- Hata yaptıysanız hatalı kısmı keserek işlemi yeniden yapın.

- Ⓐ Tam kesim düz
- Ⓑ İç kısım pürüzsüz ve parlak
- Ⓒ Her yönde eşit uzunluk
- Ⓓ Çok fazla
- Ⓔ Eğik
- Ⓣ Düzlemde pürüz
- Ⓤ Kırılmış
- Ⓢ Düz değil
- Ⓣ Kötü örnekler

- Borunun oturma yüzeyine ince bir tabaka halinde soğutma yağı sürün. (Şekil. 5-8)
- Bağlantı için önce merkezi hizalayın ve sonra somunu 3 veya 4 kez döndürerek sıkıştırın.
- İç ünite yan bağlantı bölümünde somun sıkıştırma işlemi yaparken kılavuz olarak aşağıdaki sıkma torku tablosunu kullanın ve 2 anahtar kullanarak sıkın. Fazla sıkıştırma yaparsanız dış bölümüne zarar verirsiniz.

Bakır boru O.D. (mm)	Geçme somunu O.D. (mm)	Sıkma torku (N·m)
ø6,35	17	14 - 18
ø9,52	22	34 - 42
ø12,7	26	49 - 61
ø15,88	29	68 - 82

⚠ Uyarı:

Ünitesi tesis ederken, soğutucu borularını kompresörü çalıştırmadan önce sağlam şekilde bağlayınız.

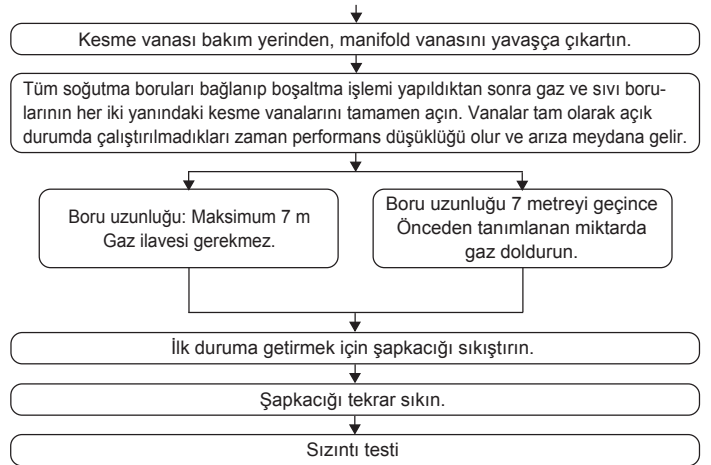
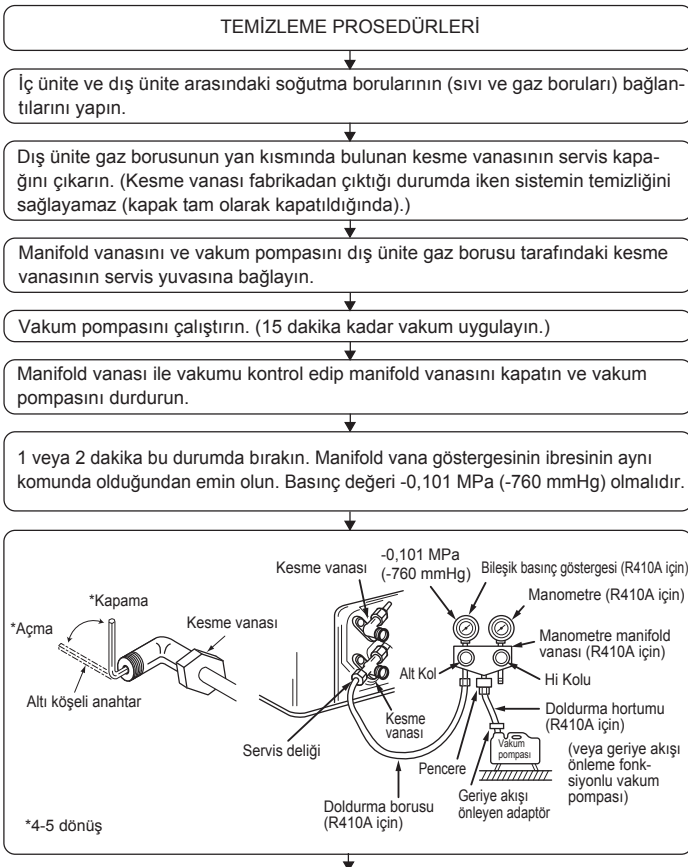
⚠ Uyarı:

Geçme somununun fırlamasına dikkat edin! (İçeriden basınçlıdır)

Geçme somununu şu şekilde çıkarın:

1. Bir ses duyana kadar somunu gevşetin.
2. Gaz tamamen çıkıncaya (ses kesilir) kadar somunu çıkarmayın.
3. Gazın tamamen çıktığını kontrol edin ve sonra somunu çıkarın.

5.5. Temizleme prosedürleri sızıntı testi

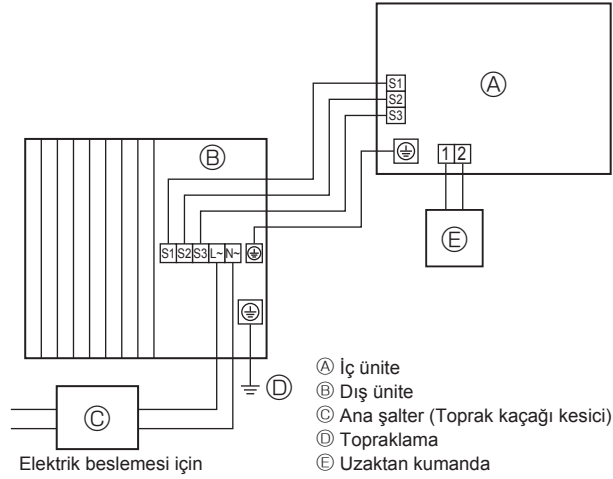


6. Elektrikle ilgili çalışma

6.1. Dış ünite (Şekil. 6-1, Şekil. 6-2, Şekil. 6-3, Şekil. 6-4)

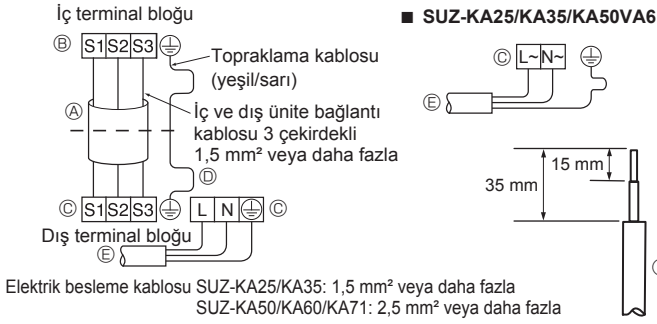
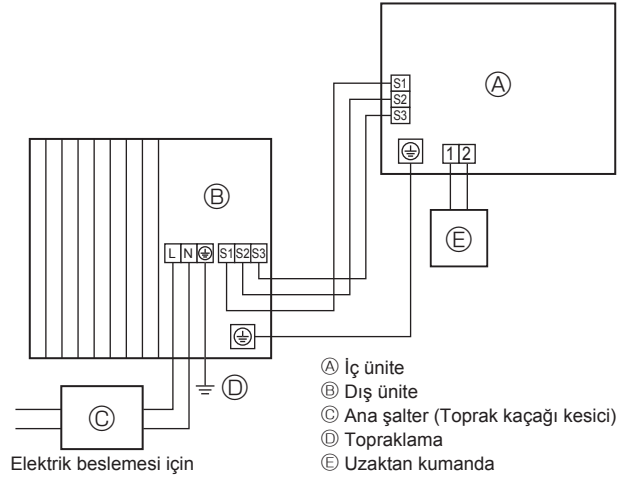
- ① Servis panelini çıkarın.
- ② Şekil. 6-1, Şekil. 6-2, Şekil. 6-3 ve Şekil. 6-4'e bakarak kabloları döşeyin.

■ SUZ-KA25/35/50VA6



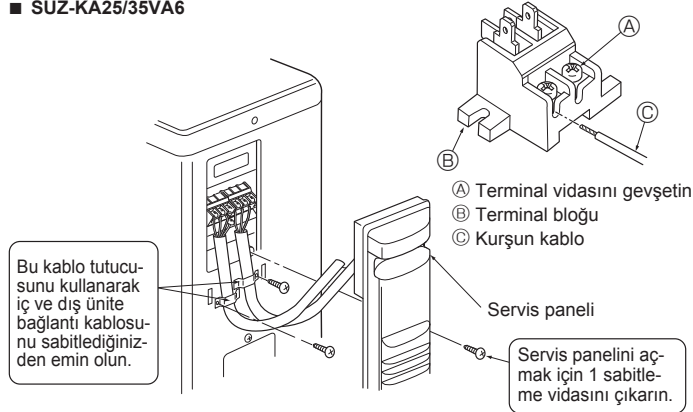
Şekil. 6-1

■ SUZ-KA60/71VA6



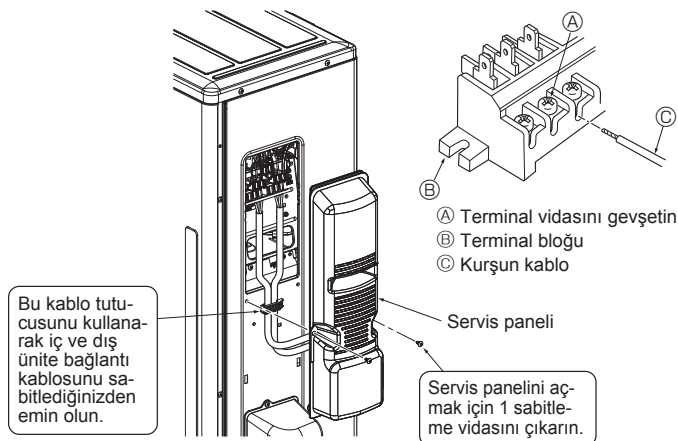
Şekil. 6-2

■ SUZ-KA25/35VA6



Şekil. 6-3

■ SUZ-KA50/60/71VA6



Şekil. 6-4

- Kabloları alt sol taraftaki şemada gösterildiği gibi yerleştirin. (Yerel kablo temin edin) (Şekil. 6-2)

Sadece doğru kutuplara sahip kabloları kullanın.

- Bağlantı kablosu
- İç terminal bloğu
- Dış terminal bloğu
- Daima diğer kablolardan daha uzun bir topraklama kablosu monte edin.
- Elektrik besleme kablosu
- Kurşun kablo

- Topraklama kablosunu diğerlerinden biraz daha uzun tutun. (100 mm'den fazla)
- İleride yapılacak bakım işleri için bağlantı kablolarını uzun tutun.
- Kabloyu ve teli terminal bloğuna sabitlerken, her vidayı ilgili terminaline bağladığınızdan emin olun.

- İç üniteden gelen kabloyu doğru şekilde terminal bloğuna bağlayın.
- İç üniteyle aynı terminal bloğunu ve kutupları kullanın.
- Bakım için bağlantı kablosunun uzunluğunu fazla bırakın.

- Bağlantı kablosunun (uzatma kablosu) her iki ucu da soyulmalıdır. Çok uzun olduğunda veya orta kısmın kesilmesiyle bağlandığında, elektrik besleme kablosunu şekilde belirtilen büyüklükte soyun.
- Bağlantı kablosunun borularla temas etmemesine dikkat edin.

⚠ Dikkat:

- Kabloları yanlış bağlamayın
- Gevşemeyi önlemek için terminal vidalarını iyice sıkın.
- Sıktıktan sonra, hareket etmediklerini anlamak için kabloları hafifçe çekin.

⚠ Uyarı:

- Dış ünitenin servis panelini sıkıca taktığınızdan emin olun. Doğru şekilde takılmazsa, toz ve su nedeniyle yangın veya elektrik çarpmasına yol açabilir.
- Terminal vidalarını iyice sıkın.
- Kablo bağlantıları elektrik hatları gerilmeyecek şekilde yapılmalıdır. Aksi halde, ısı oluşabilir veya yangına neden olabilir.

6. Elektrikle ilgili çalışma

6.2. Alan elektrik kablosu

Dış ünite modeli		SUZ-KA25/KA35	SUZ-KA35 *3	SUZ-KA50/KA60/KA71
Dış ünite güç kaynağı		~N (tekli), 50 Hz, 230 V	~N (tekli), 50 Hz, 230 V	~N (tekli), 50 Hz, 230 V
Dış ünite giriş kapasitesi				
Ana şalter (Kesici)		*1	10 A	16 A
Kablo Kablo No. x büyüklük (mm ²)	Dış ünite güç kaynağı	2 x Dak 1,5	2 x Dak 2,0	2 x Dak 2,5
	Dış ünite güç kaynağı topraklaması	1 x Dak 1,5	1 x Dak 2,0	1 x Dak 2,5
	İç ünite-Dış ünite	3 x 1,5 (Kutup)	3 x 1,5 (Kutup)	3 x 1,5 (Kutup)
	İç ünite-Dış ünite topraklaması	1 x Dak 1,5	1 x Dak 1,5	1 x Dak 1,5
Devre oranı	Dış ünite L-N	*2	230 VAC	230 VAC
	İç ünite-Dış ünite S1-S2	*2	230 VAC	230 VAC
	İç ünite-Dış ünite S2-S3	*2	12 VDC – 24 VDC	12 VDC – 24 VDC

*1. Her kutupta en az 3 mm ayrı temasa sahip bir kesici verilecektir. Topraklama sızıntı kesicisi (NV) kullanın.

Akım kaçacağı devre kesicisinin yüksek harmoniklerle uyumlu olduğundan emin olun.

Bu ünite bir redresörle donatıldığı için daima yüksek harmoniklerle uyumlu bir akım kaçacağı devre kesicisi kullanın.

Uyumsuz bir devre kesicinin kullanılması, dönüştürücünün (inverter) yanlış çalışmasına neden olabilir.

*2. Şekiller daima topraklamaya karşı DEĞİLDİR.

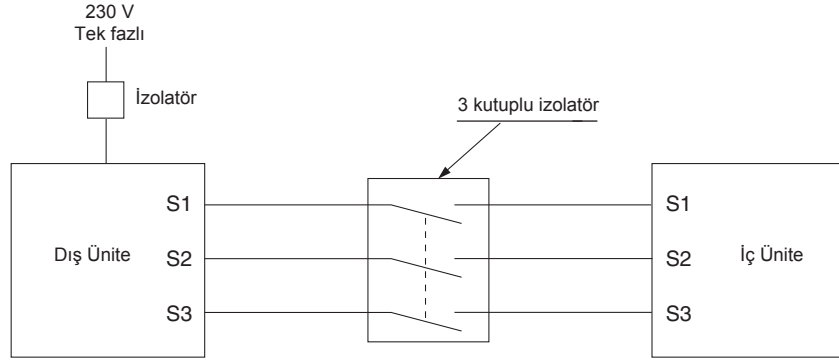
S3 terminalinde S2 terminaline karşı 24 VDC vardır. Ancak S3 ve S1 arasında, bu terminaller bir transformatör veya başka bir cihazla elektrik izolasyonuna tabi TUTULMAMIŞTIR.

*3. PEAD-RP35JA serisi birlikteliği durumunda.

Notlar: 1. Kablo büyüklüğü yerel ve ulusal kanunlara uygun olmalıdır.

2. Elektrik besleme kabloları ve İç/Dış ünite bağlantı kabloları polikloropren kaplı esnek kablodan daha hafif olmalıdır. (Tasarım 60245 IEC 57)

3. Diğer kablolardan daha uzun bir topraklama kablosu monte edin.



⚠ Uyarı:

S3 terminalinde, elektrik hattı ve iletişim sinyali hattı arasında elektrik izolasyonu olmamasından dolayı elektrik devresinden kaynaklanan potansiyel yüksek voltaj vardır. Bu nedenle, bakım işlemi sırasında ana elektrik beslemesini kapatınız. Elektrik mevcutken S1, S2 ve S3 terminallerine dokunmayınız. İç ve dış ünite arasında izolatör kullanılacaksa, lütfen 3 kutuplu tip izolatör kullanınız.

Güç kablosunu ya da iç-dış bağlantı kablosunu asla birbirine bağlamayın, aksi takdirde duman, yangın ya da iletişim hatasına neden olabilir.

7. Bakım

7.1. Gaz doldurma (Şekil. 7-1)

1. Gaz tüpünü kesme vanası servis deliğine (3 yönlü) bağlayınız
2. Soğutucu gaz tüpünden gelen boru (veya hortum) içerisinde hava kalmamasına dikkat ediniz.
3. Klima soğutma modunda çalışırken belirtilen oranda gaz ekleyiniz.

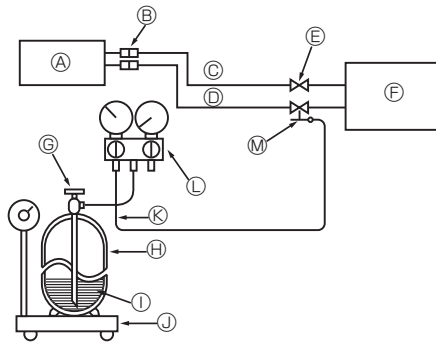
Not:

Soğutma sıvısı eklemek gerektiğinde, soğutma döngüsü için belirtilen miktara uyulmalıdır.

⚠ Dikkat:

- Soğutucu maddeyi atmosfere boşaltmayın. Montaj, tekrar montaj sırasında veya soğutucu devre tamir edilirken soğutma maddesini atmosfere boşaltmamaya dikkat ediniz.
- Soğutucu sistemi doldururken, gaz tüpünün sıvı aşamasında soğutma maddesini doldurunuz. Soğutma maddesi gaz aşamasında doldurulursa, silindiri ve dış ünitenin içindeki soğutma maddesinde bileşim değişikliği oluşabilir. Bu durumda, soğutma döngüsü yeteneği azalır veya normal çalıştırma imkansız hale gelebilir. Ancak, sıvı soğutucunun doldurulması kompresörün kilitlenmesine neden olabilir. Bu durumda, soğutma maddesini yavaşça doldurun.

Gaz tüpündeki basıncın yüksek kalmasını sağlamak için soğuk mevsimlerde gaz tüpünü sıcak su (40°C) ile ısıtın. Asla ateş veya buhar kullanmayınız.



- | | |
|---------------------------------------|--|
| Ⓐ İç ünite | Ⓔ R410A için soğutucu gaz tüpü, sifonlu |
| Ⓑ Bağlantı | Ⓚ Soğutucu (sıvı) |
| Ⓒ Sıvı borusu | Ⓛ Doldurma borusu (R410A için) |
| Ⓓ Gaz borusu | Ⓜ Manometre manifold vanası (R410A için) |
| Ⓔ Kesme vanası | Ⓝ Servis deliği |
| Ⓕ Dış ünite | |
| Ⓖ Soğutucu gaz tüpü çalıştırma vanası | |

Şekil. 7-1

8. Aşağı pompalama

Klimayı başka bir yere taşıırken ya da atarken, atmosfere gaz salınmasını engellemek için gazı aşağıdaki prosedürü izleyerek boşaltın.

- ① Güç kaynağını kapatın (devre kesici).
- ② Manifold vanasını dış ünite gaz borusu kısmının bağlı olduğu servis deliğine bağlayın.
- ③ Dış ünitenin sıvı borusu kısmındaki kesme vanasını tamamen kapatın.
- ④ Güç verin (devre kesici).
- ⑤ Soğutucu toplama işlemini gerçekleştirin (soğutma testi çalışması).
 - PAR-31MAA için, "Service" (Servis) ögesini seçin → Test çalışmasını başlatmak için ana menüden "TestRun" (Test Çalışması) ögesini, ardından da soğutma modunu seçin.
 - Uzaktan kumandaları kullanarak test çalışmasını başlatmak hakkında ayrıntılar ya da diğer bilgiler için, iç mekan ünitesi ya da uzaktan kumanda kurulum el kitabına bakın.
- ⑥ Dış ünitenin gaz borusu kısmındaki kesme vanası, manometre 0,05 ila 0 MPa [Manometre] (yaklaşık 0,5 ila 0 kgf/cm² arası) arasında bir değer gösterdiğinde tamamen kapatın ve klimayı hemen durdurun.
 - Klimayı durdurmak için uzaktan kumandadaki "ON/OFF" (AÇMA/KAPAMA) düğmesine basın.
 - * Uzatma borusu uzun ve soğutucu miktarı fazlaysa aşağı pompalama işlemi yapmak mümkün olmayabilir. Bu durumda, sistemdeki tüm soğutucuyu toplamak için soğutucu geri kazanım ekipmanını kullanın.

- ⑦ Güç kaynağını kapatın (devre kesici), manometre manifold vanasını çıkarın ve ardından soğutucu borularının bağlantısını kesin.

⚠ Uyarı:

Soğutucu pompalaması yaparken, soğutucu borularının bağlantısını kesmeden önce kompresörü durdurun.

- **Kompresör çalışırken ve kesme valfi (bilyeli valf) açıkken soğutucu boruları bağlantısı kesilirse, içeri hava girmesi durumunda soğutma çevrimindeki basınç aşırı ölçüde yükselebilir ve bu da boruların patlamasına ve kişisel yaralanma vb. neden olabilir.**

9. Spesifikasyonlar

Dış mekan modeli		SUZ-KA25VA6.TH	SUZ-KA35VA6.TH	SUZ-KA50VA6.TH	SUZ-KA60VA6.TH	SUZ-KA71VA6.TH	
Güç kaynağı		Tek fazlı 230 V, 50 Hz					
Boyutlar G × Y × D		800 × 550 × 285			840 × 880 × 330		
Ağırlık		kg	30	35	54	50	53
Ses seviyesi *1	Soğutma	dB (A)	47	49	52	55	
	Isıtma		48	50	52	55	

*1 Anma çalışma frekansının altında ölçülmüştür.

Bu uyarının içeriği sadece Türkiye'de geçerlidir.

- Şirketimizdeki geliştirme faaliyetlerinden dolayı ürün özelliklerinin, haber verilmeksizin değiştirilme hakkı tarafımızda saklıdır.
- Anma değerleri için TS EN 14511 / TS EN 14825 deki iklim şartları ile tarif edilen koşullar esas alınmıştır.
- İç ve dış ortam sıcaklıklarının standartlarda esas alınan değerlerin dışına çıkması durumunda klimanızın ısıtma ve soğutma kapasitelerinin etkilenmesi doğaldır.
- Ürünün üzerinde bulunan işaretlemelerde veya ürünle birlikte verilen diğer basılı dokümanlarda beyan edilen değerler, ilgili standartlara göre laboratuvar ortamında elde edilen değerlerdir. Bu değerler, ürünün kullanım ve ortam şartlarına göre değişebilir.
- Satın almış olduğunuz ürünün kullanım ömrü 10 yıldır. Bu, ürünün fonksiyonunu yerine getirebilmesi için gerekli yedek parça bulundurma süresidir.

Ürünün montajı için Mitsubishi Electric Turkey Elektrik Ürünleri A.Ş. yetkili servisine / bayisine başvurunuz.

Servis İstasyonları ve Yedek Parça Temini :

Cihazınızın bakım, onarım ve yedek parça ihtiyaçları için klimanızı satın aldığınız yetkili satıcıya başvurunuz. Yetkili Servislerimizin listesine [URL: http://klima.mitsubishielectric.com.tr](http://klima.mitsubishielectric.com.tr) adresinden veya 444 7 500 numaralı telefondan ulaşabilirsiniz.

Ünitenin ihtiyaç duyacağı bakım ve onarım parçaları 10 yıl boyunca üretilecektir.

AEEE Yönetmeliğine Uygundur.



İthalatçı Firma:

Merkez Ofis (Head Office)

Mitsubishi Electric Turkey Elektrik Ürünleri A.Ş.

Şerifali Mah. Kale Sok. No:41 34775 Ümraniye/ İstanbul / Türkiye

Tel: + 90 216 969 25 00 Faks: + 90 216 661 44 47

klima@tr.mee.com

[URL: http://klima.mitsubishielectric.com.tr](http://klima.mitsubishielectric.com.tr)

SİCİL NO : 845150

MERSİS NO : 0 621047840100014

Üretici Firma:

Mitsubishi Electric Corporation (Head Office)

Tokyo Building, 2-7-3, Marunouchi, Chiyoda-ku, Tokyo 100-8310, Japan

Tel: +81 (3) 3218-2111

www.mitsubishielectric.com

Innhold

1. Følgende bør alltid overholdes av sikkerhetshensyn	80	6. Elektrisk arbeid	84
2. Valg av installeringssted	80	7. Vedlikehold	85
3. Installasjonsdiagram	81	8. Nedpumping	86
4. Avtappingsrør for utendørsenhet	81	9. Spesifikasjoner	86
5. Arbeid med kjølemediumrør	82		

1. Følgende bør alltid overholdes av sikkerhetshensyn

- Vennligst bruk en eksklusiv krets for luftkondisjoneringen og ikke koble andre elektriske apparater til den.
- Les alltid "Følgende bør alltid overholdes av sikkerhetshensyn" før installering av luftkondisjoneringen.
- Sørg for å følge advarslene angitt her, da de inneholder viktige elementer knyttet til sikkerhet.
- Indikasjonene og betydningene er som følger:

⚠ Advarsel:

Kan føre til død, alvorlige personskader osv.

⚠ Forsiktig:

Kan føre til alvorlige skader i spesielle omgivelser ved feil bruk.

- Etter å ha lest denne håndboken må du sørge for å oppbevare den sammen med bruksanvisningen på et lett tilgjengelig sted hos kunden.

⚡ : Indikerer hvilken del som må jordes.

⚠ Advarsel:

Les merkene som står på hovedenheten nøye.

⚠ Advarsel:

- Ikke installer enheten selv (kunde). Ufullstendig installering kan føre til brann eller elektrisk støt, personskader ved at enheten faller ned, eller lekkasje av vann. Konsulter forhandleren du kjøpte enheten av eller en spesialinstallatør.
- Dette apparatet er ment for bruk av faglærte eller opplærte brukere i butikker, lettindustri og på gårdsbruk, eller for kommersiell bruk av ufaglærte.
- Installer enheten trygt på et sted som kan bære vekten av enheten. Når enheten er installert på et sted uten tilstrekkelig bæreevne, kan den falle ned og forårsake skade.
- Bruk de spesifiserte ledningene for å koble sammen innendørs- og utendørsenhetene korrekt, fest ledningene godt i klempatens koblingsdel, slik at strekket i ledningene ikke påvirker delene. Ufullstendig tilkobling og feste kan føre til brann.
- Ikke bruk midlertidige koblinger av strømledningen eller forlengelsesledningen, og ikke koble mange enheter til én stikkontakt. Det kan føre til brann eller elektrisk støt på grunn av defekte kontakter, defekt isolasjon, overskridelse av tillatt strøm osv.
- Sjekk at kjølemediumgassen ikke lekker ut etter at installasjonen er ferdig.
- Utfør installasjonen sikkert i henhold til installeringshåndboken. Ufullstendig installering kan føre til personskade på grunn av brann eller elektrisk støt, ved at enheten faller ned, eller lekkasje av vann.
- Bruk kun spesifiserte kabler for tilkopling. Ledningskoblinger må være sikre uten strekk på klemmekoplingene. Dessuten må tilkoblingskabler ikke skjøtes (med mindre noe annet angis i dette dokumentet). Hvis disse instruksene ikke følges, kan det føre til overoppheting eller brann.
- Utfør elektriske arbeider i henhold til installeringshåndboken og forsikre deg om at du bruker en egen krets.

⚠ Forsiktig:

- Enheten må jordes. Ikke koble jordledningen til et gassrør, vannrørstopper eller telefonjordledning. Defekt jording kan føre til elektrisk støt.
- Ikke installer enheten på et sted hvor det kan lekker brennbar gass. Hvis gass lekker og akkumuleres i området ved enheten, kan det føre til eksplosjon.
- Installer en jordavleder avhengig av installasjonsstedet (der det er fuktig).

Hvis kapasiteten til strømkretsen ikke er tilstrekkelig, eller den elektriske installasjonen er ufullstendig, kan det føre til brann eller et elektrisk støt.

- Fest dekslet til den elektriske delen på innendørsenheten og servicepanelet på utendørsenheten godt. Hvis dekslet til den elektriske delen på innendørsenheten og/eller servicepanelet til utendørsenheten ikke er festet godt, kan det føre til brann eller et elektrisk støt på grunn av støv, vann osv.
- Forsikre deg om at du bruker de delene som følger med eller som er spesifisert for installasjonsarbeidet. Bruk av defekte deler kan føre til personskader eller lekkasje av vann på grunn av brann, et elektrisk støt, at enheten faller ned osv.
- Luft ut rommet hvis det lekker kjølemedium under bruk.
- Når kjølemediet kommer i kontakt med ild, kan det dannes giftige gasser.
- Når kjølemedium pumpes ned, må kompressoren stanses før kjølemediumrørene kobles fra. Kompressoren kan sprekke hvis det kommer luft osv. inn i den.
- Ved montering eller flytting, eller service på luftkondisjoneringen, må det bare brukes spesifisert kjølemedium (R410A) i kjølemediumrørene. Ikke bland den med andre kjølemedier, og ikke la det være igjen luft i rørene. Hvis det blandes luft i kjølemediet, kan det forårsake unormalt høyt trykk i kjølemediumrøret, som kan føre til eksplosjon og andre farer. Bruk av andre kjølemedier enn det som er spesifisert for systemet, vil forårsake mekanisk svikt, systemsvikt eller havari av enheten. I verste fall kan dette føre til at det blir veldig vanskelig å opprettholde produktsikkerheten.

Hvis en jordavleder ikke er installert, kan det føre til elektrisk støt.

- Utfør arbeidet med avtapping/rørpropplegg på en sikker måte i henhold til installeringshåndboken. Hvis det er en feil i avtapping/rørpropplegg, kan det dryppe vann fra enheten og husholdningsvarer kan bli fuktige og skadet.
- Monter en kragemutter med en momentnøkkel som angitt i denne håndboken. Hvis den festes for stramt, kan kragemutteren bryte etter lang tid, og føre til lekkasje av kjølemiddel.

2. Valg av installeringssted

2.1. Utendørsenhet

- Hvor den ikke utsettes for sterk vind.
- Hvor luftstrømningen er god og støvfri.
- Hvor den ikke utsettes for regn eller direkte solskinn.
- Hvor naboer ikke plages av driftsstøyen eller av den varme luften.
- Hvor man har en stiv veggkonstruksjon eller støtte for å unngå økt driftsstøy eller vibrasjon.
- Hvor det ikke er noen fare for lekkasjer av brennbar gass.
- Når installeringen skjer høyt oppe, må du forsikre deg om at enhetens ben er sikret.
- Hvor den er minst 3 m unna antenne til TV eller radio. (Ellers kan bilder bli forstyrret og det kan genereres støy.)
- Vennligst installer den på et sted som ikke påvirkes av snø eller snøfokk. I områder med stort snøfall, bør du installere en skjerm, en sokkel og/eller noen lydsjerner.
- Installer enheten horisontalt.

⚠ Forsiktig:

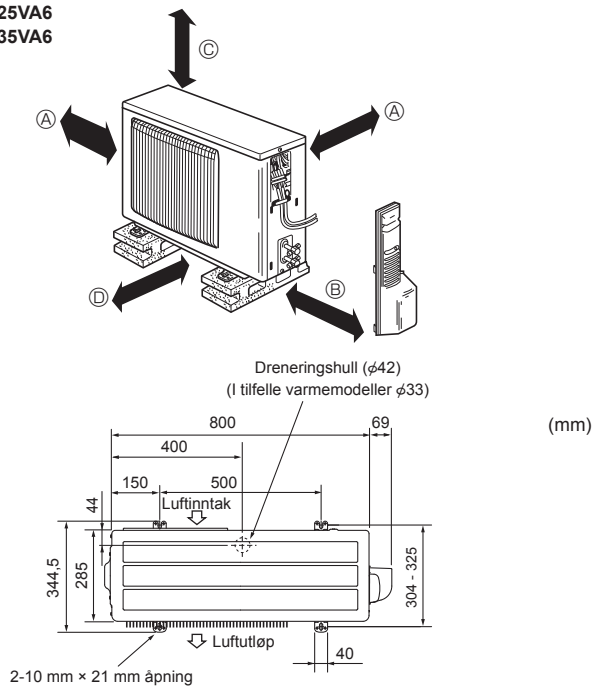
Unngå følgende steder for installasjon, hvor det er sannsynlig at man får problemer med luft-kondisjoneringen.

- Steder med mye motorolje.
- Salte omgivelser som f.eks. ved sjøkanten.
- Områder med varme kilder.
- Områder med svovelgass.
- Andre områder med spesiell atmosfære.

Utendørsenheten produserer kondens under oppvarming. Velg monteringssted der utendørsenheten og/eller bakken er beskyttet mot fuktighet i form av regnvann eller mot frostsatt avløpsvann.

3. Installasjonsdiagram

■ SUZ-KA25VA6 SUZ-KA35VA6



■ SUZ-KA50VA6 SUZ-KA60VA6 SUZ-KA71VA6

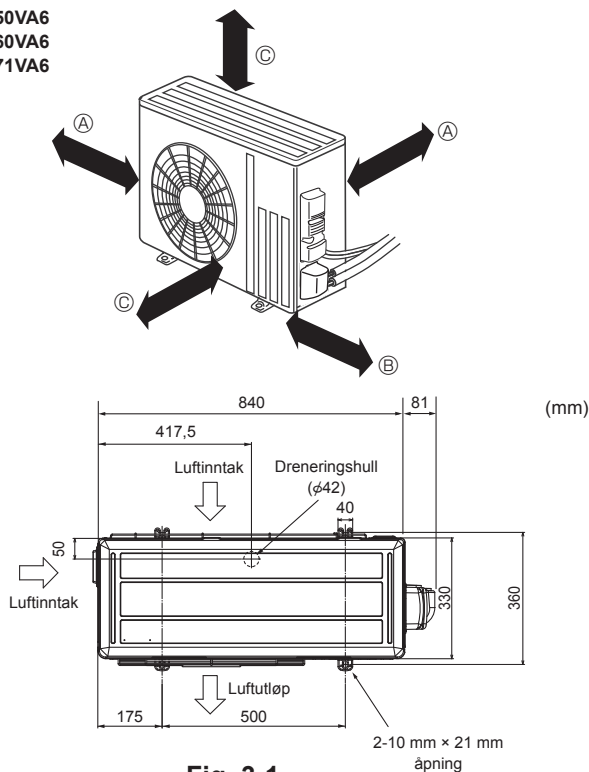


Fig. 3-1

3.1. Utendørsenhet (Fig. 3-1)

Ventilasjons- og servicerom

■ SUZ-KA25VA6 SUZ-KA35VA6

- Ⓐ 100 mm eller mer
- Ⓑ 350 mm eller mer
- Ⓒ Sørg i utgangspunktet for en åpning på 100 mm eller mer uten noen hindringer foran og på begge sider av enheten.
- Ⓓ 200 mm eller mer (Åpne to av sidene, venstre, høyre eller bak.)

■ SUZ-KA50VA6 SUZ-KA60VA6 SUZ-KA71VA6

- Ⓐ 100 mm eller mer
- Ⓑ 350 mm eller mer
- Ⓒ 500 mm eller mer

Når rørene skal festes til en vegg som inneholder metaller (kledd med blikk) eller metallnett, bruk et kjemisk behandlet trestykke 20 mm eller tykkere mellom veggen og rørene, eller tvinn 7 til 8 omdreininger med isolerende vinyltape rundt rørene.

Enheter skal installeres av en godkjent installatør i samsvar med lokale krav.

Merk:

Når man bruker luft-kondisjonereren ved lave utetemperaturer, forsikre deg om at instruksjonene beskrevet nedenfor blir fulgt.

- Installer aldri utendørsenheten på steder hvor luftinntak/-utløp kan bli direkte utsatt for vind.
- For å forebygge eksponering for vind, må du installere utendørsenheten med luftinntakssiden mot veggen.
- For å forebygge eksponering for vind, anbefales det å installere en lydskjerm på luftutløpssiden av utendørsenheten.

4. Avtappingsrør for utendørsenhet (Fig. 4-1)

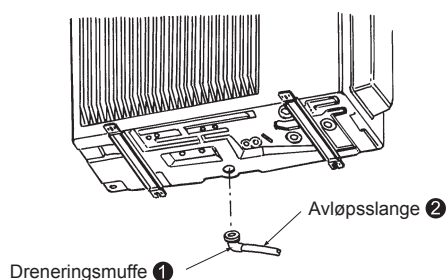


Fig. 4-1

4.1. Tilleggsutstyr

Sjekk følgende deler før installering.

<Utendørsenhet>

①	Dreneringsmuffe	1
---	-----------------	---

- Sørg for avtappingsrør for tilkobling av innvendige og utvendige rør. (Det er vanskelig å installere dreneringsmuffen ① hvis rørene innendørs og utendørs er tilkoblet før avtappingsrørene fordi utendørsenheten da ikke kan beveges.)
- Koble til dreneringsslangen ② (kan anskaffes fra en butikk, innvendig diameter: 15 mm) slik som vist i figuren for drenering.
- Forsikre deg om at avtappingsrørene er lagt med fall slik at man oppnår avrenning.

Merk:

Ikke bruk dreneringsmuffen ① i kalde regioner. Avtappingen kan fryse og viften stopper.

5. Arbeid med kjølemediumrør

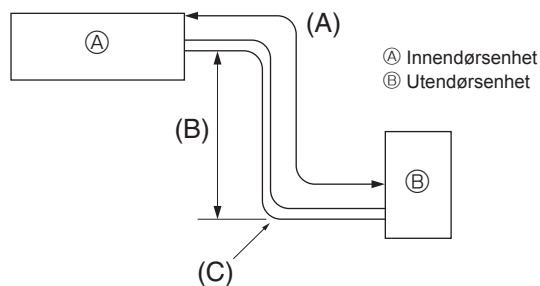


Fig. 5-1

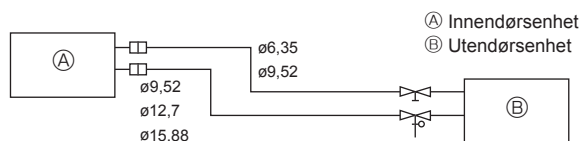


Fig. 5-2

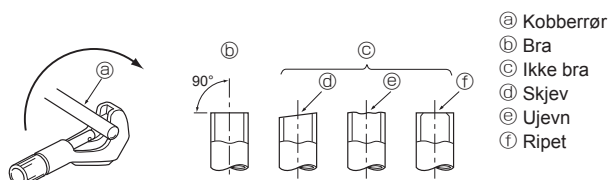


Fig. 5-3

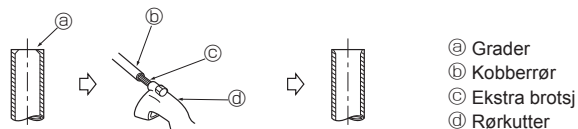


Fig. 5-4

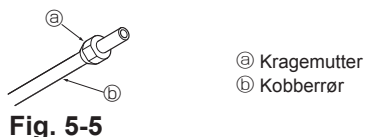


Fig. 5-5

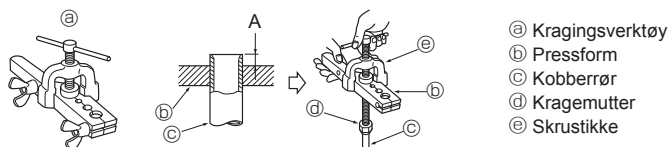


Fig. 5-6

5.1. Kjølemediumrør (Fig. 5-1)

► Kontroller at høydeforskjellen mellom innendørs- og utendørsenhetene, lengden på kjølemediumrør og antall rørbøyer er innenfor grensene som står nedenfor.

Modeller	(A) Rørlengde (én vei)	(B) Høydeforskjell	(C) Antall rørbøyer (én vei)
SUZ-KA25/KA35	Maks. 20 m	Maks. 12 m	Maks. av 10
SUZ-KA50/KA60/KA71	Maks. 30 m	Maks. 30 m	Maks. av 10

- Begrensningene på høydeforskjellen gjelder uansett hvilken enhet, innendørs eller utendørs, som står høyere.
- Kjølemediumjustering ... Hvis rørlengden overskrider 7 m, må man lade mer kjølemedium (R410A).

(Utendørsenheten er påfylt med kjølemedium for rørlengder opp til 7 m.)

Rørlengde	Opp til 7 m	Ingen ytterligere påfylling er nødvendig.
	Overstiger 7 m	Ytterligere påfylling er nødvendig. (Se tabellen under.)
Kjølemedium som skal påfylles	SUZ-KA25/KA35-type	30 g × (lengde på kjølemediumrør (m) - 7)
	SUZ-KA50/KA60-type	20 g × (lengde på kjølemediumrør (m) - 7)
	SUZ-KA71-type	55 g × (lengde på kjølemediumrør (m) - 7)

(1) Tabellen under viser spesifikasjoner på kommersielt tilgjengelige rør.

Modell	Rør	Utendørs diameter		Min. vegg tykkelse	Isolasjon tykkelse	Isolasjon materiale
		mm	tomme			
SUZ-KA25	For væske	6,35	1/4	0,8 mm	8 mm	Varmebestandig skumplast, 0,045 egenvekt
	For gass	9,52	3/8	0,8 mm	8 mm	
SUZ-KA35	For væske	6,35	1/4	0,8 mm	8 mm	
	For gass	9,52	3/8	0,8 mm	8 mm	
SUZ-KA50	For væske	6,35	1/4	0,8 mm	8 mm	
	For gass	12,7	1/2	0,8 mm	8 mm	
SUZ-KA60	For væske	6,35	1/4	0,8 mm	8 mm	
	For gass	15,88	5/8	0,8 mm	8 mm	
SUZ-KA71	For væske	9,52	3/8	0,8 mm	8 mm	
	For gass	15,88	5/8	1,0 mm	8 mm	

(2) Sikre at de 2 kjølemediumrørene er godt isolert for å forhindre kondens.

(3) Kjølemediumrørets bøyeradius må være 100 mm eller mer.

⚠ Forsiktig:

Bruk isolasjon med nøyaktig spesifisert tykkelse. Overdreven tykkelse forhindrer lagring på baksiden av innendørsdelen og for liten tykkelse fører at det drypper dugg.

5.2. Kraging

- Den viktigste årsaken til gasslekkasje er feil kraging.

Kraging utføres korrekt på følgende måte:

5.2.1. Rørkutting (Fig. 5-3)

- Bruk rørkutter og kutt kobberøret korrekt.

5.2.2. Fjern grader (Fig. 5-4)

- Fjern alle grader fra rørsnittet.
- Hold enden av kobberøret pekende nedover når du fjerner grader, slik at du unngår at grader faller inn i røret.

5.2.3. Monter mutter (Fig. 5-5)

- Ta av kragemuttre festet til innendørsenhet og utendørsenhet, og sett dem så på røret hvor alle grader er fjernet.

(Det er ikke mulig å sette dem på etter kragingen.)

5.2.4. Kraging (Fig. 5-6)

- Utfør kragingen ved å bruke krageverktøy som vist til høyre.

Rørdiameter (mm)	Dimensjon	
	A (mm)	
	Når verktøy for R410A benyttes	B ⁺⁰ _{-0,4} (mm)
6,35	0 - 0,5	9,1
9,52	0 - 0,5	13,2
12,7	0 - 0,5	16,6
15,88	0 - 0,5	19,7

Hold kobberøret godt fast i en form med dimensjon som vist i tabellen over.

5. Arbeid med kjølemediumrør

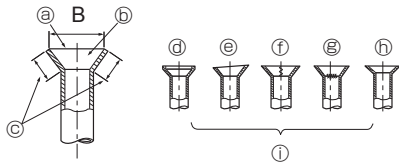


Fig. 5-7

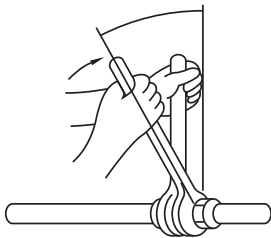


Fig. 5-8

5.2.5. Kontroller (Fig. 5-7)

- Sammenlign kragingen med bildet på høyre side.
- Hvis kragen virker defekt, kutt av kragen og gjør kragingen på nytt.

- Ⓐ Glatt hele veien rundt
- Ⓑ Innsiden skinner uten riper
- Ⓒ Lik lengde hele veien rundt
- Ⓓ Før mye
- Ⓔ Skjev
- Ⓛ Riper i krageplaten
- Ⓜ Sprukket
- Ⓨ Ujevn
- Ⓩ Eksempler på feil

- Påfør et tynt lag med kjøleanleggsole på rørets seteoverflate. (Fig. 5-8)
- For tilkobling justerer du først inn senter, og trekker deretter til de første 3 til 4 omdreiningene av kragemutteren.
- Bruk tabellen over tiltrekingsmomenter nedenfor som en retningslinje for sideunionkoblingsdelen til innendørsenheten, og trekk til med to skrunøkler. For kraftig tiltrekning skader kragen.

Kopperrør U.D. (mm)	Kragemutter U.D. (mm)	Tiltrekingsmoment (N·m)
ø6,35	17	14 - 18
ø9,52	22	34 - 42
ø12,7	26	49 - 61
ø15,88	29	68 - 82

⚠ Advarsel:

Ved montering av enheten må kjølemediumrørene koples forsvarlig til før kompressoren startes.

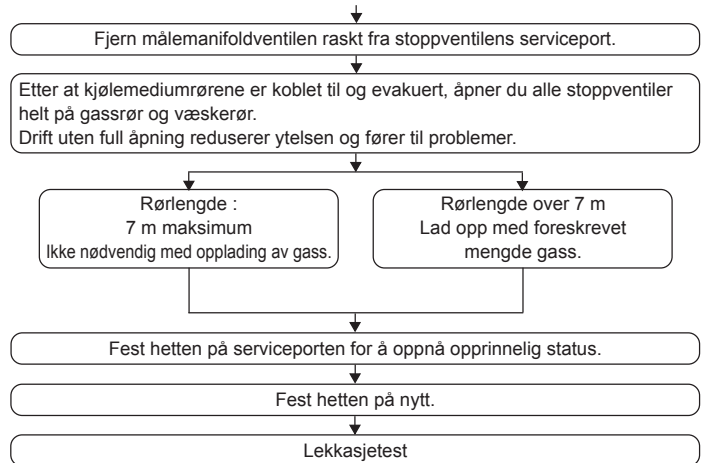
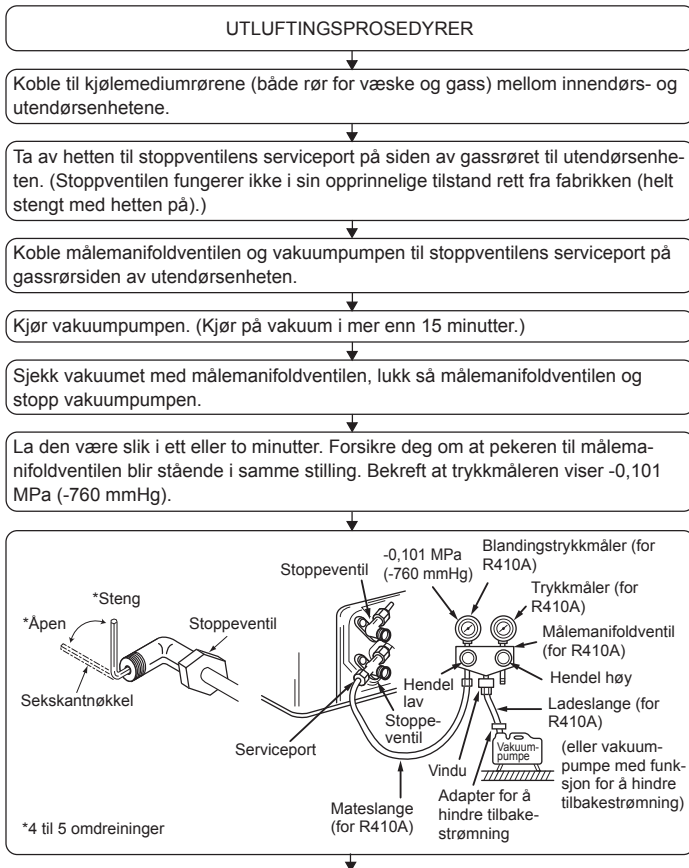
⚠ Advarsel:

Se opp for flygende kragemuttre! (Internt trykksatt)

Fjern kragemutteren slik:

1. Løse mutteren fram til du hører en vislelyd.
2. Ikke fjern mutteren før gassen er helt tømt (dvs. vislelyden stopper).
3. Kontroller at gassen er fullstendig tømt, og fjern deretter mutteren.

5.5. Utluftingsprosedyrer og lekkasjetest



6. Elektrisk arbeid

6.1. Utendørsenhet (Fig. 6-1, Fig. 6-2, Fig. 6-3, Fig. 6-4)

- ① Fjern servicepanelet.
- ② Kople til kablene med henvisning til fig. 6-1, fig. 6-2, fig. 6-3 og fig. 6-4.

■ SUZ-KA25/35/50VA6

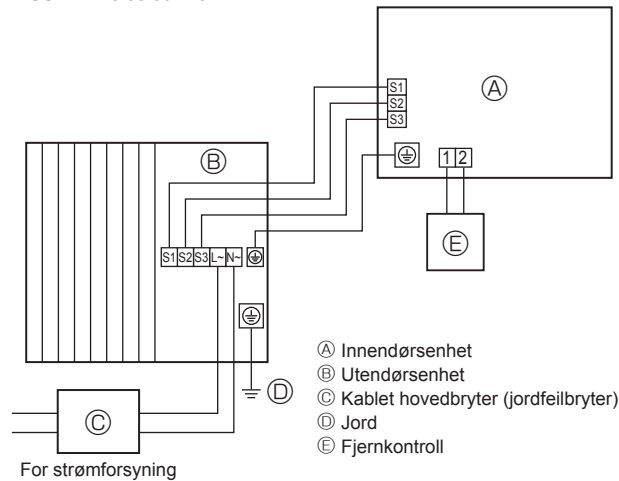
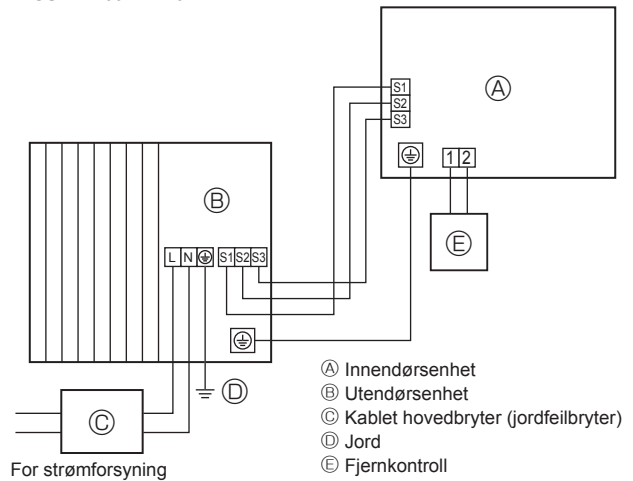
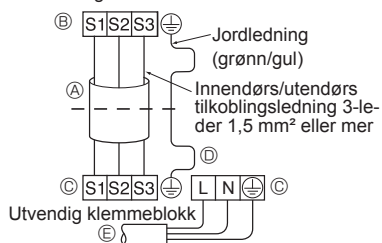


Fig. 6-1

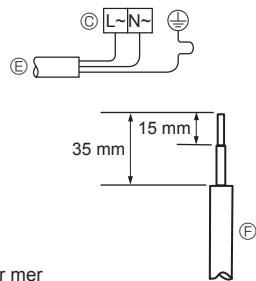
■ SUZ-KA60/71VA6



Innvendig klemmeblokk



■ For SUZ-KA25/KA35/KA50VA6



Strømkabel SUZ-KA25/KA35: 1,5 mm² eller mer
 SUZ-KA50/KA60/KA71: 2,5 mm² eller mer

Fig. 6-2

■ SUZ-KA25/35VA6

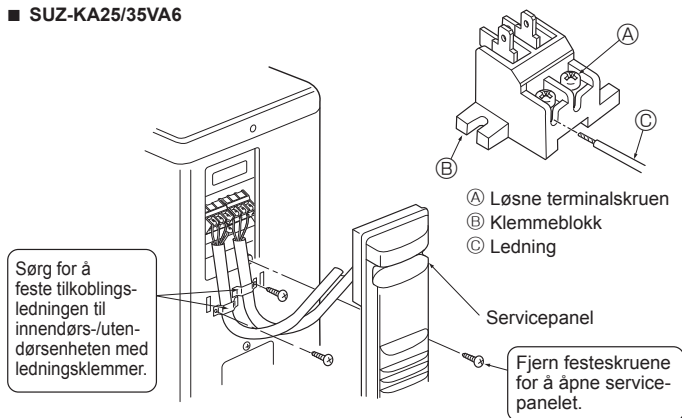


Fig. 6-3

■ SUZ-KA50/60/71VA6

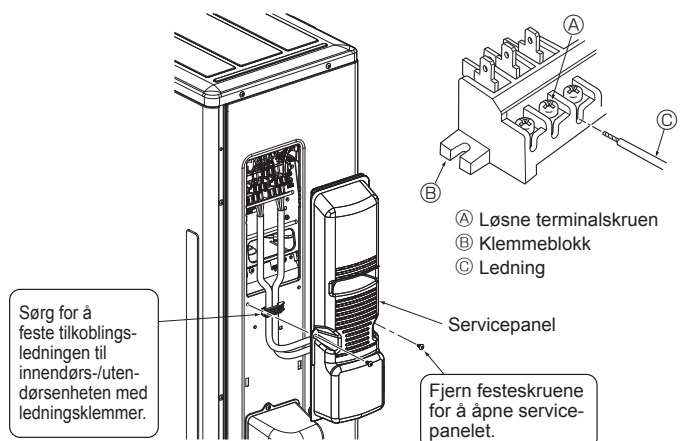


Fig. 6-4

- Utfør kabling som vist i figuren nede til venstre. (Anskaff kabelen lokalt) (Fig. 6-2) Sørg for kun å bruke kabler med korrekt polaritet.

- A Tilkoblingskabel
- B Innvendig klemmeblokk
- C Utvendig klemmeblokk
- D Installer alltid jordledning som er lengre enn andre kabler.
- E Strømkabel
- F Ledning

- Lag jordingsledningen litt lengre enn de andre. (Mer enn 100 mm)
- For framtidig service, gi tilkoblingsledningene ekstra lengde.
- Sørg for å feste hver skrue i den korresponderende klemmen når ledningen og/eller kabelen festes til rekkeklemmen.

- Koble kabelen fra innendørsenheten korrekt til klemmeblokken.
- Bruk samme klemmeblokk og polaritet som på innendørsenheten.
- Gi ekstra lengde på tilkoblingskabelen for vedlikehold i etterhånd.

- Begge ender av tilkoblingskabelen (forlengelsesledning) er skrellet av. Når den er for lang, eller tilkoblet ved avkutting i midten, skal strømforsyningsledningen skrelles av til størrelsen gitt i figuren.
- Vær forsiktig slik at tilkoblingskabelen ikke berører rørsystemet.

⚠ Forsiktig:

- Utvis forsiktighet for å unngå feilkobling.
- Trekk til klemmeskruene godt, slik at man unngår at de løsner.
- Etter tiltrekking, trekk lett i ledningene for å forsikre deg om at de ikke kan beveges.

⚠ Advarsel:

- Sørg for å feste servicepanelet godt til utendørsenheten. Hvis det ikke er festet riktig, kan det føre til brann eller elektrisk støt på grunn av støv, vann, osv.
- Fest klemmeskruene godt.
- Kabling må gjøres slik at strømledningene ikke utsettes for stress. Det kan ellers genereres varme eller oppstå brann.

6. Elektrisk arbeid

6.2. Feltelektriske ledninger

Utendørsenhet-modell		SUZ-KA25/KA35	SUZ-KA35 *3	SUZ-KA50/KA60/KA71
Utendørsenhetens strømkilde		~N (enkel), 50 Hz, 230 V	~N (enkel), 50 Hz, 230 V	~N (enkel), 50 Hz, 230 V
Utendørsenhetens inngangskapasitet Hovedbryter (avbryter) *1		10 A	16 A	20 A
Ledninger nr. x tykkelse (mm ²)	Utendørsenhetens strømkilde	2 x Min. 1,5	2 x Min. 2,0	2 x Min. 2,5
	Utendørsenhetens strømkilde jord	1 x Min. 1,5	1 x Min. 2,0	1 x Min. 2,5
	Innendørsenhet-utendørsenhet	3 x 1,5 (Polar)	3 x 1,5 (Polar)	3 x 1,5 (Polar)
	Innendørsenhet-utendørsenhet jord	1 x Min. 1,5	1 x Min. 1,5	1 x Min. 1,5
Krets bedøm- melse	Utendørsenhet L-N	*2 230 VAC	230 VAC	230 VAC
	Innendørsenhet-utendørsenhet S1-S2	*2 230 VAC	230 VAC	230 VAC
	Innendørsenhet-utendørsenhet S2-S3	*2 12 VDC – 24 VDC	12 VDC – 24 VDC	12 VDC – 24 VDC

*1. Det skal følge med en avbryter med minst 3 mm kontaktseparasjon i hver pol. Bruk avbryter for uønsket jordkontakt (NV).

Sørg for at lekkasjestrømvbryteren er kompatibel med høyere harmoniske oversvingninger.

Bruk alltid en lekkasjestrømvbryter som er kompatibel med høyere harmoniske oversvingninger, ettersom denne enheten er utstyrt med en vekselretter.

Bruk av en utilstrekkelig avbryter kan forårsake at vekselretteren fungerer på feil måte.

*2. Tallene er IKKE alltid mot jord.

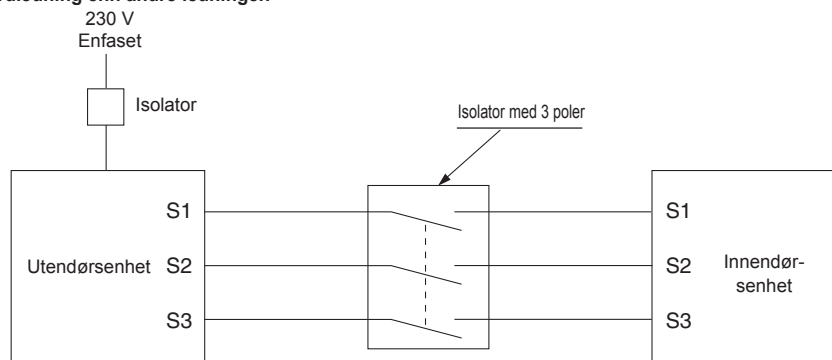
S3-klemmen har 24 VDC mot S2-klemmen. Mellom S3 og S1 er imidlertid disse klemmene IKKE elektrisk isolert av transformatoren eller en annen enhet.

*3. I tilfelle PEAD-RP35JA-seriekombinasjonen.

Merknader: 1. Ledningstørrelser må være i samsvar med gjeldende lokalt og nasjonalt regelverk.

2. Strømledninger og forbindelsesledninger mellom innendørs- og utendørsenhet skal ikke være lettere enn fleksibel ledning mantlet med polykloropren. (Design 60245 IEC 57)

3. Monter lengre jordledning enn andre ledninger.



⚠ Advarsel:

Det er mulighet for høy spenning på S3-klemmen. Dette skyldes at designet av den elektriske kretsen ikke har noen elektrisk isolering mellom strømledningen og kommunikasjonssignalledningen. Derfor må hovedstrømbryteren slås av ved service. Og, ikke rør S1-, S2- eller S3-klemmene når strømmen er på. Hvis det brukes isolator mellom innendørs- og utendørsenheten, må den være av typen med 3 poler.

Strømkabelen eller forbindelseskabelen mellom innendørs- og utendørsenheten må aldri skjøtes, for det kan føre til at det oppstår røyk, brann eller kommunikasjonssvikt.

7. Vedlikehold

7.1. Gassopplading (Fig. 7-1)

1. Koble gassflasken til stoppventilens serviceport (3-veis).
2. Spyl røret (eller slangen) som kommer fra kjølemediumgassflasken, med luft.
3. Etterfyll angitt mengde kjølemedium samtidig som klimaenlegget kjøres i kjølemodus.

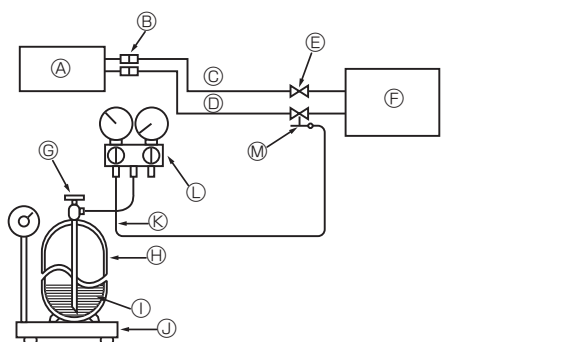
Merk:

Hvis det tilsettes kjølemedium, må mengden som er spesifisert for kjølesyklusen, overholdes.

⚠ Forsiktig:

- Tøm ikke kjølemediet ut i atmosfæren. Sørg for at kjølemediet ikke utskilles til atmosfæren under installasjon, reinnstallasjon eller reparasjon av kjølekretsene.
- Lad kjølemedium fra gassflaskens væskeenhet ved tilleggsloading. Hvis kjølemediet lades fra gassenheten, kan det forekomme endring i sammensetningen av kjølemediet i gassylindere og utendørsenheten. I dette tilfellet svekkes kjølesyklusens kjøleevne eller normal drift kan bli umulig. Lading av alt flytende kjølemedium på en gang kan imidlertid føre til at kompressoren låses. Ladingen av kjølemedium må derfor skje sakte.

For å opprettholde det høye trykket i gassflasken må gassflasken varmes med varmt vann (under 40 °C) i vinterhalvåret. Men bruk aldri åpen ild eller damp.



- | | |
|-----------------------------------|---|
| (A) Innendørsenhet | (H) Gassflaske med kjølemedium for R410A med sifong |
| (B) Union | (I) Kjølemedium (væske) |
| (C) Væskerør | (J) Elektronisk skala for lading av kjølemedium |
| (D) Gassrør | (K) Ladeslange (for R410A) |
| (E) Stoppventil | (L) Målemanifoldventil (for R410A) |
| (F) Utendørsenhet | (M) Serviceport |
| (G) Kjølegassylinder driftsventil | |

Fig. 7-1

8. Nedpumping

Når man flytter eller deponerer klimaanlegget, pump ned systemet i henhold til prosedyren nedenfor, slik at ikke noe kjølemedium slipper ut i atmosfæren.

- ① Slå av strømmen (vernebryter).
 - ② Koble målemanifoldventilen til serviceporten til stoppventilen på gassrørsiden av utendørsenheten.
 - ③ Steng stoppventilen helt på væskesiden av utendørsenheten.
 - ④ Strømtilførsel (vernebryter).
 - ⑤ Gjennomfør innsamlingen av kjølemiddel (kjøletestkjøring).
 - For PAR-31MAA, velg "Service" → "TestRun" fra hovedmenyen for å starte testkjøringen, og velg deretter kjølemodus.
 - For flere detaljer eller for annen informasjon om hvordan du starter testkjøringen når du bruker fjernkontroller, se installeringshåndboken for innendørsanlegget eller fjernkontrollen.
 - ⑥ Steng stoppventilen på gassrørsiden av utendørsenheten helt når trykkmåleren viser 0,05 til 0 MPa [måler] (omtrent 0,5 til 0 kgf/cm²) og stopp klimaanlegget raskt.
 - Trykk på "AV/PA"-knappen på fjernkontrollen for å stoppe klimaanlegget.
- * Merk at når forlengelsesrørene er svært lange med store mengder kjølemiddel, kan det være umulig å utføre en nedpumping. I så fall må du bruke utstyr for gjenvinning av kjølemiddel til å samle opp alt kjølemiddelet i systemet.

- ⑦ Slå av strømforsyningen (vernebryter), fjern målermanifolden og koble deretter fra kjølemiddelrørene.

⚠ Advarsel:

Når kjølemedium pumpes ned, må kompressoren stanses før kjølemediumrørene kobles fra.

- Hvis kjølemiddelrørene frakobles mens kompressoren er i drift og stengeventilen (kuleventil) er åpen, blir trykket i kjølekretsen ekstremt høy hvis det trekkes inn luft, noe som kan føre til at rørene sprekker, personskaade osv.

9. Spesifikasjoner

Utendørsmodell		SUZ-KA25VA6.TH	SUZ-KA35VA6.TH	SUZ-KA50VA6.TH	SUZ-KA60VA6.TH	SUZ-KA71VA6.TH
Strømforsyning		Enfasert 230 V, 50 Hz				
Dimensjoner B × H × D		800 × 550 × 285			840 × 880 × 330	
Vekt		30	35	54	50	53
Lydnivå *1	Avkjøling	47	49	52	55	
	Oppvarming	48	50	52	55	

*1 Målt under rangert frekvens.

Spis treści

1. Zasady bezpieczeństwa	87	6. Instalacja elektryczna	91
2. Wybór miejsca instalacji	87	7. Konserwacja	92
3. Schemat instalacji	88	8. Odpompowywanie	93
4. Odprowadzenie skroplin dla jednostki zewnętrznej	88	9. Dane techniczne	93
5. Przewody czynnika chłodniczego	89		

1. Zasady bezpieczeństwa

- Klimatyzatorowi należy zapewnić osobny obwód, do którego nie należy podłączać innych urządzeń elektrycznych.
- Przed montażem klimatyzatora należy zapoznać się z częścią "Zasady bezpieczeństwa".
- Należy stosować się do podanych ostrzeżeń, ponieważ zawierają one ważne informacje dotyczące bezpieczeństwa.
- Oznaczenia i ich znaczenie podano poniżej.

⚠ Ostrzeżenie:

Może prowadzić do śmierci, poważnych obrażeń itp.

⚠ Przestroga:

Może prowadzić do poważnych obrażeń ciała w pewnych środowiskach, jeśli urządzenie obsługiwane będzie nieprawidłowo.

⚠ Ostrzeżenie:

- Nie należy instalować urządzenia samodzielnie (przez klienta). Niekompletna instalacja może spowodować odniesienie obrażeń w wyniku pożaru, porażenia prądem, upadku urządzenia lub wycieku wody. Należy skontaktować się w tym celu ze sprzedawcą jednostki lub odpowiednim monterem.
- W sklepach, w przemyśle lekkim i w gospodarstwach rolnych urządzenie powinno obsługiwać profesjonalni lub przeszkoleni użytkownicy, a w celach komercyjnych osoby nieposiadające fachowej wiedzy.
- Jednostkę należy bezpiecznie zamontować w miejscu, które wytrzyma ciężar urządzenia. W przypadku montażu w miejscu o niewystarczającej nośności, urządzenie może upaść, powodując obrażenia.
- Do bezpiecznego podłączenia jednostek wewnętrznych i zewnętrznych stosować należy specjalistyczne przewody, starannie podłączając je do listwy zaciskowej, aby napięcie przewodów nie było przenoszone na zaciski. Niepełne podłączenie i mocowanie może spowodować pożar.
- Nie należy stosować podłączenia pośredniego przewodu zasilającego albo przedłużacza, ani podłączać wielu urządzeń do jednego gniazda sieciowego. Może to spowodować pożar lub porażenie prądem z powodu uszkodzenia kontaktu, izolacji, przekroczenia dopuszczalnej wartości prądu itp.
- Po zakończeniu instalacji należy sprawdzić, czy gazowy czynnik chłodniczy nie wycieka.
- Instalację należy przeprowadzać, ściśle stosując się do treści instrukcji instalacji. Niekompletna instalacja może spowodować odniesienie obrażeń fizycznych w wyniku pożaru, porażenia prądem, upadku urządzenia lub wycieku wody.
- Do okablowania należy użyć wyłącznie określonych przewodów. Przewody należy odpowiednio podłączyć do listwy zaciskowej tak, aby zaciski nie były naprężone. Ponadto, nigdy nie należy łączyć ze sobą przewodów (o ile nie zaznaczono inaczej w niniejszym dokumencie). Nieprzestrzeganie tych zaleceń może spowodować przegrzanie urządzenia lub pożar.

⚠ Przestroga:

- Wykonać uziemienie. Nie należy podłączać uziemienia do rury gazowej, zakończenia rury cieczonej ani uziemienia linii telefonicznej. Wadliwe uziemienie może spowodować porażenie prądem.
- Nie instalować jednostki w miejscu ulatniania się gazów łatwopalnych. Ulatnianie i gromadzenie się gazów wokół jednostki może spowodować wybuch.
- W zależności od miejsca instalacji (w miejscach wilgotnych) należy zainstalować wyłącznik różnicowoprądowy.

2. Wybór miejsca instalacji

2.1. Jednostka zewnętrzna

- Miejsce, w którym nie będzie narażona na silny wiatr.
- Miejsce, gdzie przepływ powietrza jest dobry i bezpyłowy.
- Miejsce, w którym nie będzie narażona na działanie deszczu i bezpośrednie nasłonecznienie.
- Miejsce, w którym sąsiedzi nie będą narażeni na hałas i gorące powietrze.
- Miejsce, gdzie dostępna jest sztywna ściana lub podpora, zapobiegająca wzrostowi hałasu i wibracji.
- Miejsce, w którym nie ma ryzyka wycieku palnego gazu.
- W przypadku instalacji jednostki na wysokości, należy zamontować nóżki jednostki.
- Miejsce znajdujące się minimum 3 m od anteny telewizyjnej lub radiowej (w przeciwnym razie mogą pojawić się zakłócenia obrazu lub dźwięku).
- Należy instalować ją w miejscu, w którym nie gromadzi się spadający ani nawiewany śnieg. W rejonach dużych opadów śniegu należy zamontować osłonę, cokolwiek i/lub ekrany.
- Jednostkę należy montować poziomo.

- Po przeczytaniu niniejszej instrukcji należy przechowywać ją wraz z instrukcją obsługi w łatwo dostępnym miejscu w lokalizacji klienta.

⚡ : Oznacza część, która wymaga uziemienia.

⚠ Ostrzeżenie:

Należy uważnie czytać etykiety umieszczone na głównej jednostce.

- Prace elektryczne należy wykonać zgodnie z instrukcją instalacji, pamiętając o zastosowaniu odrębnego obwodu. Jeżeli moc obwodu zasilania jest niewystarczająca lub instalacja elektryczna jest niekompletna, może to doprowadzić do pożaru lub porażenia prądem.
- Zamontować pokrywę części elektrycznej jednostki wewnętrznej oraz panel serwisowy jednostki zewnętrznej. Jeżeli pokrywa części elektrycznej jednostki wewnętrznej i/lub panel serwisowy jednostki zewnętrznej nie są odpowiednio zamocowane, może to spowodować pożar lub porażenie prądem w wyniku kontaktu z pyłem, wodą itp.
- Należy korzystać z części dostarczonych lub przeznaczonych do wykonywania prac instalacyjnych. Zastosowanie uszkodzonych części może spowodować obrażenia lub wyciek wody w wyniku pożaru, porażenia prądem, upadku jednostki itp.
- Jeśli podczas pracy dojdzie do wycieku czynnika chłodniczego, należy przewietrzyć dane pomieszczenie. Jeśli dojdzie do kontaktu czynnika chłodniczego z ogniem, uwolnione zostaną trujące gazy.
- Podczas odpompowywania czynnika chłodniczego, przed odłączeniem przewodów czynnika chłodniczego należy wyłączyć sprężarkę. W przypadku dostania się powietrza itp. do sprężarki, może dojść do jej wybuchu.
- Do napełniania przewodów czynnika chłodniczego podczas instalacji, zmiany miejsca pracy lub prowadzenia serwisowania pompy ciepła należy stosować jedynie wskazany środek chłodniczy (R410A). Nie należy mieszać go z innym czynnikiem chłodniczym ani dopuszczać do pozostawiania powietrza w przewodach. Zmieszanie czynnika z powietrzem może spowodować nieprawidłowe wysokie ciśnienie w układzie chłodniczym i doprowadzić do wybuchu bądź innych zagrożeń. Zastosowanie czynnika innego od określonego dla tego układu spowoduje uszkodzenia mechaniczne, awarię układu lub uszkodzenie jednostki. W najgorszym przypadku może to doprowadzić do poważnego naruszenia bezpieczeństwa produktu.

Jeśli wyłącznik różnicowoprądowy nie zostanie zainstalowany, może to spowodować porażenie prądem.

- Podłączanie instalacji rurowej/spustowej należy przeprowadzać, ściśle stosując się do treści instrukcji instalacji. W przypadku usterki instalacji rurowej/spustowej woda może ściekać z jednostki, powodując zamoczenie i uszkodzenie artykułów użytku domowego.
- Nakrętkę kielichową dokręcić za pomocą klucza dynamometrycznego zgodnie z niniejszą instrukcją. Zbyt mocne dokręcenie może skutkować po czasie uszkodzeniem nakrętki kielichowej i spowodować wyciek czynnika chłodniczego.

⚠ Przestroga:

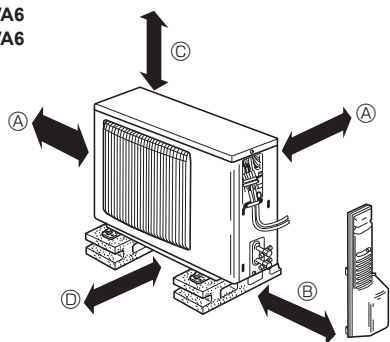
Należy unikać wymienionych poniżej miejsc instalacji, które mogą powodować nieprawidłowe działanie klimatyzatora.

- Miejsca, w których znajduje się duża ilość oleju maszynowego.
- Słone środowisko, jak na przykład obszary nadmorskie.
- W pobliżu źródeł termalnych.
- Miejsca występowania oparów związków siarki.
- Inne specjalne obszary atmosferyczne.

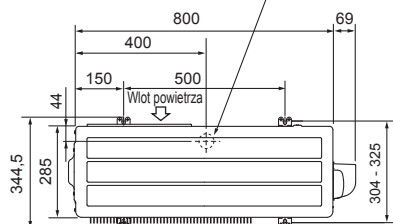
Podczas ogrzewania w jednostce zewnętrznej gromadzą się skropliny. Należy wybrać miejsce instalacji umożliwiające zapobieganie zawilgoceniu jednostki zewnętrznej i/lub powierzchni przez skropliny i uszkodzeniu przez zamarzające skropliny.

3. Schemat instalacji

■ SUZ-KA25VA6
SUZ-KA35VA6

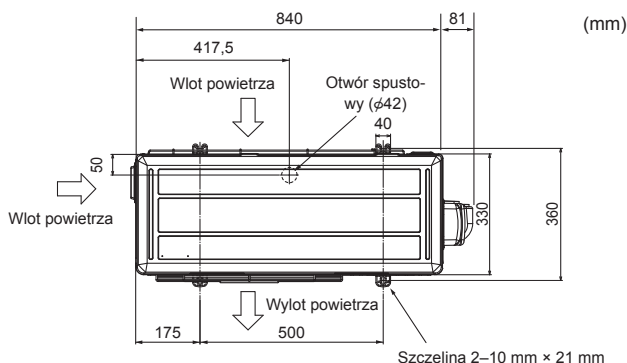
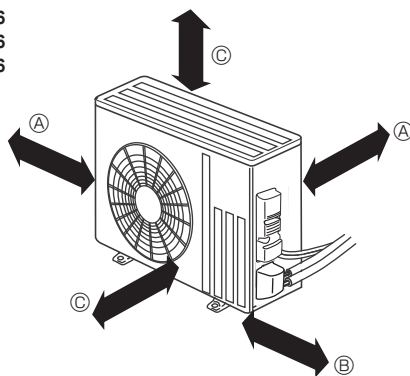


Otwór spustowy (φ42)
(modele z grzałką φ33)



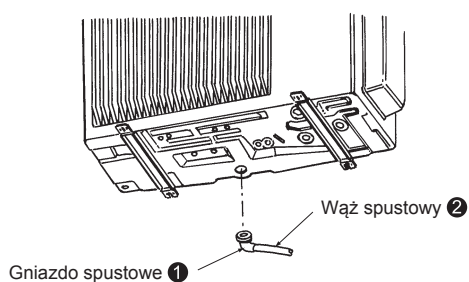
Szczelina 2-10 mm × 21 mm

■ SUZ-KA50VA6
SUZ-KA60VA6
SUZ-KA71VA6



Rys. 3-1

4. Odprowadzenie skroplin dla jednostki zewnętrznej (rys. 4-1)



Rys. 4-1

3.1. Jednostka zewnętrzna (rys. 3-1)

Wentylacja i przestrzeń serwisowa

■ SUZ-KA25VA6
SUZ-KA35VA6

- Ⓐ min. 100 mm
- Ⓑ min. 350 mm
- Ⓒ min. 100 mm wolnej przestrzeni z przodu i po obu bokach urządzenia.
- Ⓓ min. 200 mm (wolna przestrzeń po lewej i prawej stronie lub z tyłu)

■ SUZ-KA50VA6

SUZ-KA60VA6

SUZ-KA71VA6

- Ⓐ min. 100 mm
- Ⓑ min. 350 mm
- Ⓒ min. 500 mm

(mm)

Jeżeli przewody mają być przymocowane do ściany zawierającej elementy metalowe (ocynkowane) lub metalową siatkę, należy zastosować poddane obróbce chemicznej elementy drewniane o grubości min. 20 mm między ścianą a przewodami lub owinać je 7 do 8 razy winylową taśmą izolacyjną.

Jednostki powinny montować uprawniony wykonawca zgodnie z wymogami lokalnego prawa.

Uwaga:

Podczas działania klimatyzatora przy niskiej temperaturze na zewnątrz należy przestrzegać poniższych zaleceń.

- Nie należy instalować jednostki zewnętrznej w miejscu, gdzie strona wlotu/wylotu powietrza mogłaby być bezpośrednio narażona na działanie wiatru.
- Aby zapobiec narażeniu na wiatr, jednostkę zewnętrzną należy instalować wlotem powietrza skierowanym do ściany.
- Aby zapobiec narażeniu na wiatr, zaleca się zamontowanie ekranu od strony wylotu powietrza z jednostki zewnętrznej.

4.1. Wyposażenie

Przed instalacją należy sprawdzić następujące części.

<Jednostka zewnętrzna>

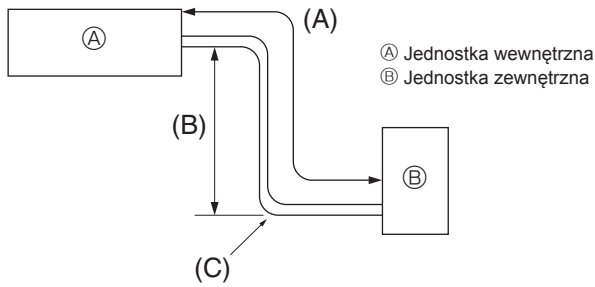
❶	Gniazdo spustowe	1
---	------------------	---

- Zapewnić przewód spustowy przed podłączeniem przewodów wewnętrznych i zewnętrznych (zamontowanie gniazda spustowego ❶ będzie trudne, jeśli podłączenie przewodów wewnętrznych lub zewnętrznych zostanie przeprowadzone przed instalacją spustową, ponieważ jednostka zewnętrzna zostanie wtedy unieruchomiona).
- Podłączyć wąż spustowy ❷ (do kupienia w sklepie, średnica wewnętrzna: 15 mm), jak przedstawiono na rysunku układu spustowego.
- Zapewnić ułożenie przewodu spustowego o odpowiednim stopniu nachylenia, ułatwiając odprowadzanie wody.

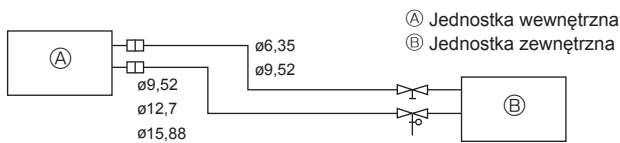
Uwaga:

Gniazda spustowego ❶ nie należy stosować w chłodnym klimacie. Spust może zamarznąć i spowodować zatrzymanie wentylatora.

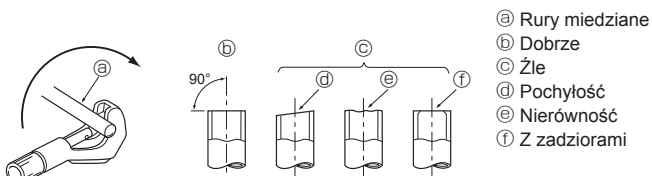
5. Przewody czynnika chłodniczego



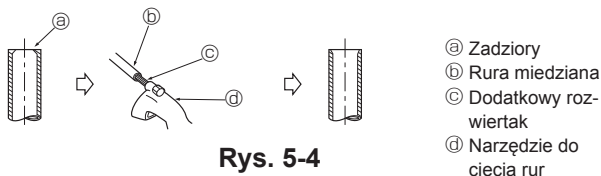
Rys. 5-1



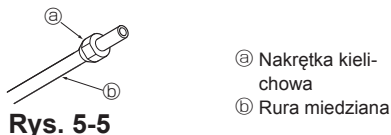
Rys. 5-2



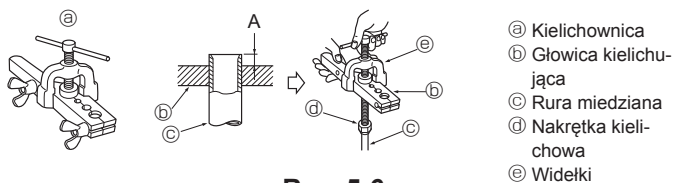
Rys. 5-3



Rys. 5-4



Rys. 5-5



Rys. 5-6

5.1. Rura czynnika chłodniczego (rys. 5-1)

► Należy upewnić się, że różnica wysokości między jednostką wewnętrzną i zewnętrzną, długość rury czynnika chłodniczego oraz liczba zgięć rury mieszczą się w granicach przedstawionych poniżej.

Modele	(A) Długość rury (w jedną stronę)	(B) Różnica wysokości	(C) Liczba zgięć (w jedną stronę)
SUZ-KA25/KA35	Maks. 20 m	Maks. 12 m	Maks. 10
SUZ-KA50/KA60/KA71	Maks. 30 m	Maks. 30 m	Maks. 10

- Ograniczenie różnicy wysokości obowiązuje niezależnie od tego, która jednostka (wewnętrzna czy zewnętrzna) znajduje się wyżej.
- Korekta ilości czynnika chłodniczego... Jeśli długość rury przekracza 7 m, wymagane będzie uzupełnienie czynnika chłodniczego (R410A). (Jednostka zewnętrzna napełniona jest czynnikiem chłodniczym o objętości odpowiadającej rurze o maksymalnej długości 7 m).

Długość rury	Do 7 m	Uzupełnienie nie jest wymagane.
	Powyżej 7 m	Uzupełnienie jest wymagane (szczegóły w tabeli poniżej).
Należy uzupełnić czynnik chłodniczy	typ SUZ-KA25/KA35	30 g × (długość rury czynnika chłodniczego (m) - 7)
	typ SUZ-KA50/KA60	20 g × (długość rury czynnika chłodniczego (m) - 7)
	typ SUZ-KA71	55 g × (długość rury czynnika chłodniczego (m) - 7)

(1) Poniższa tabela zawiera dane techniczne rur dostępnych na rynku.

Model	Rura	Średnica zewnętrzna		Min. grubość ścianek	Grubość izolacji	Materiał izolacji
		mm	cale			
SUZ-KA25	Ciecz	6,35	1/4	0,8 mm	8 mm	Pianka izolacyjna ognioodporna, ciężar właściwy 0,045
	Gaz	9,52	3/8	0,8 mm	8 mm	
SUZ-KA35	Ciecz	6,35	1/4	0,8 mm	8 mm	
	Gaz	9,52	3/8	0,8 mm	8 mm	
SUZ-KA50	Ciecz	6,35	1/4	0,8 mm	8 mm	
	Gaz	12,7	1/2	0,8 mm	8 mm	
SUZ-KA60	Ciecz	6,35	1/4	0,8 mm	8 mm	
	Gaz	15,88	5/8	0,8 mm	8 mm	
SUZ-KA71	Ciecz	9,52	3/8	0,8 mm	8 mm	
	Gaz	15,88	5/8	1,0 mm	8 mm	

(2) Należy upewnić się, że 2 rury czynnika chłodniczego są dobrze zaizolowane, aby zapobiec skraplaniu.

(3) Promień zginania rur czynnika chłodniczego musi wynosić min. 100 mm.

⚠ Przewaga:

Stosowanie starannej izolacji o określonej grubości. Nadmierna grubość izolacji uniemożliwia prowadzenie rury za jednostką wewnętrzną, a zbyt mała powoduje skraplanie.

5.2. Kielichowanie

- Główną przyczyną wycieku gazu jest niepoprawne kielichowanie. Wykonanie poprawnego kielichowania opisano poniżej.

5.2.1. Cięcie rur (rys. 5-3)

- Do poprawnego cięcia rur miedzianych należy użyć narzędzia do cięcia rur.

5.2.2. Usuwanie zadziorów (rys. 5-4)

- Należy całkowicie usunąć wszelkie zadzior z końcówek rur.
- Podczas usuwania zadziorów należy skierować końcówkę rury miedzianej w dół, aby uniknąć wpadania zadziorów do środka.

5.2.3. Zakładanie nakrętki (rys. 5-5)

- Należy usunąć nakrętki kielichowe jednostki wewnętrznej i zewnętrznej, a następnie po usunięciu zadziorów umieścić je na rurze. (Po ukończeniu kielichowania nałożenie nakrętek nie będzie możliwe).

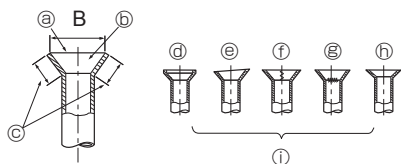
5.2.4. Kielichowanie (rys. 5-6)

- Kielichowanie rur należy wykonywać za pomocą kielichownicy, jak pokazano na rysunku po prawej.

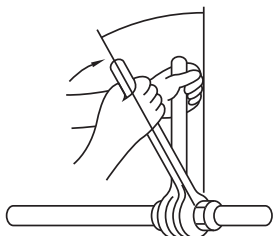
Średnica rury (mm)	Wymiary	
	A (mm)	B ⁺⁰ _{-0,4} (mm)
	Stosując narzędzie dla czynnika R410A	
6,35	0-0,5	9,1
9,52	0-0,5	13,2
12,7	0-0,5	16,6
15,88	0-0,5	19,7

Należy mocno zacisnąć rurę miedzianą w głowicy kielichującej o wymiarach przedstawionych w tabeli powyżej.

5. Przewody czynnika chłodniczego



Rys. 5-7



Rys. 5-8

5.2.5. Test (rys. 5-7)

- Należy porównać kielichowanie z rysunkiem po prawej stronie.
- Jeśli kielichowanie jest niepoprawne, należy odciąć rozszerzenie i przeprowadzić kielichowanie ponownie.

- Ⓐ Całość gładka
- Ⓑ Wewnętrzna strona błyszcząca, bez żadnych rys
- Ⓒ Równa długość na całej długości
- Ⓓ Zbyt dużo
- Ⓔ Pochyłość
- Ⓕ Rysa na powierzchni kielichowania
- Ⓖ Pęknięcie
- Ⓗ Nierówna powierzchnia
- Ⓘ Przykłady złego wykonania

- Należy nałożyć cienką warstwę oleju chłodniczego na powierzchnię stykową rury (rys. 5-8).
- Przed podłączeniem należy najpierw wyrównać, a następnie wkręcić nakrętkę kielichową o pierwsze 3 do 4 obrotów.
- Podczas dokręcania bocznej złączki przyłączeniowej jednostki wewnętrznej należy sprawdzić dane w tabeli momentów dokręcania poniżej, a następnie dokręcić za pomocą dwóch kluczy. Nadmierne dokręcenie uszkodzi rozszerzenie rury.

Rura miedziana, śr. zewn. (mm)	Nakrętka kielichowa, śr. zewn. (mm)	Moment dokręcania (Nm)
ø 6,35	17	14–18
ø 9,52	22	34–42
ø 12,7	26	49–61
ø 15,88	29	68–82

⚠ Ostrzeżenie:

Podczas montażu jednostki, przed uruchomieniem sprężarki należy starannie podłączyć rury czynnika chłodniczego.

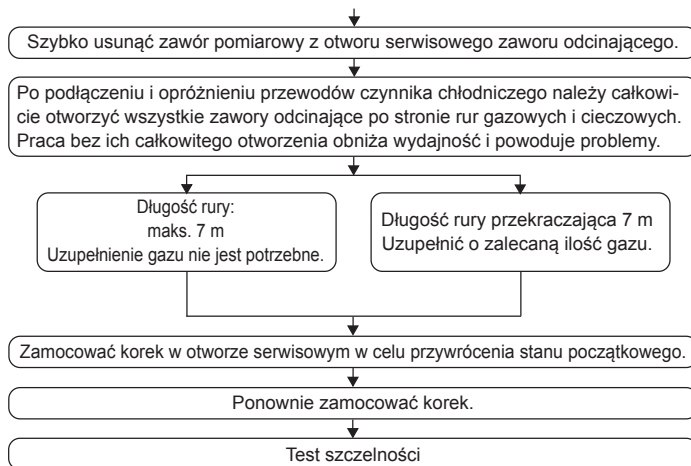
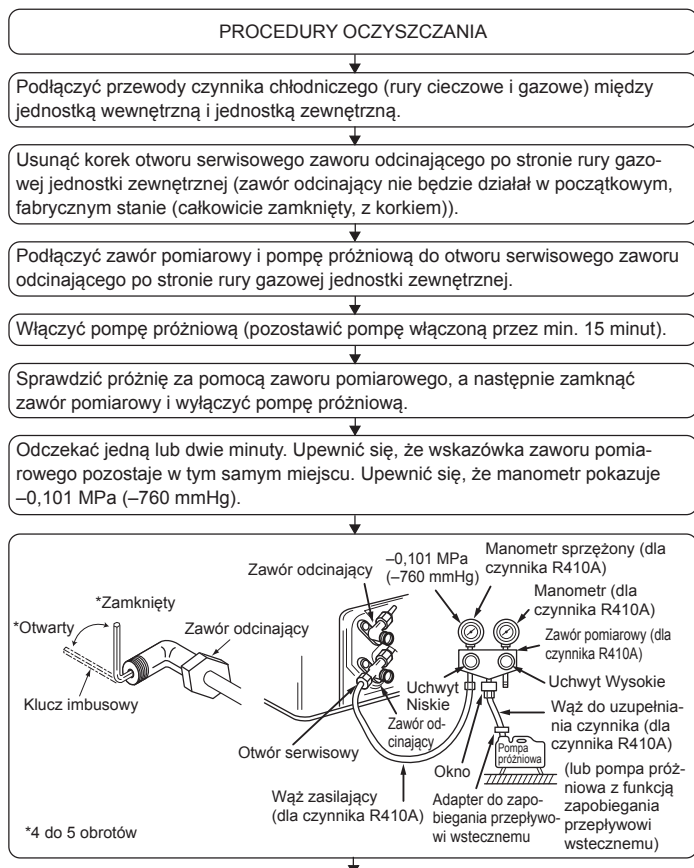
⚠ Ostrzeżenie:

Uwaga na możliwość wypchnięcia nakrętki kielichowej (ciśnienie może spowodować jej wypchnięcie od wewnątrz)!

Nakrętki kielichowe należy usuwać w określony poniżej sposób:

- Odkręcać nakrętkę, aż do usłyszenia syczenia.
- Nie usuwać nakrętki, aż gaz nie zostanie uwolniony w całości (tj. syczenie ustanie).
- Sprawdzić, czy gaz został uwolniony w całości, a następnie usunąć nakrętkę.

5.5. Działania oczyszczające — test szczelności

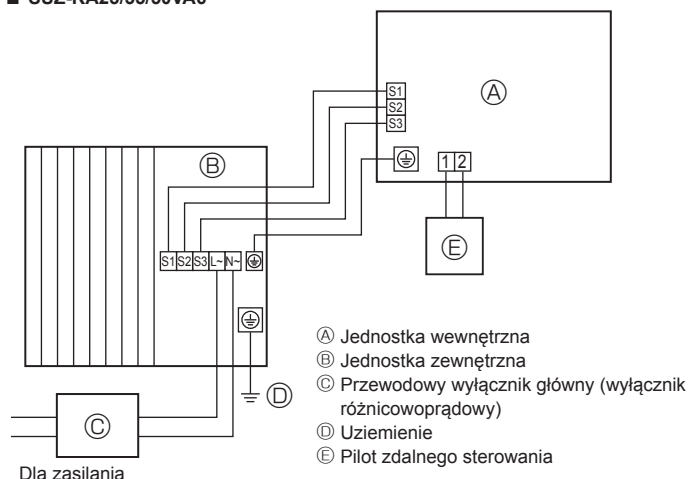


6. Instalacja elektryczna

6.1. Jednostka zewnętrzna (rys. 6-1, rys. 6-2, rys. 6-3, rys. 6-4)

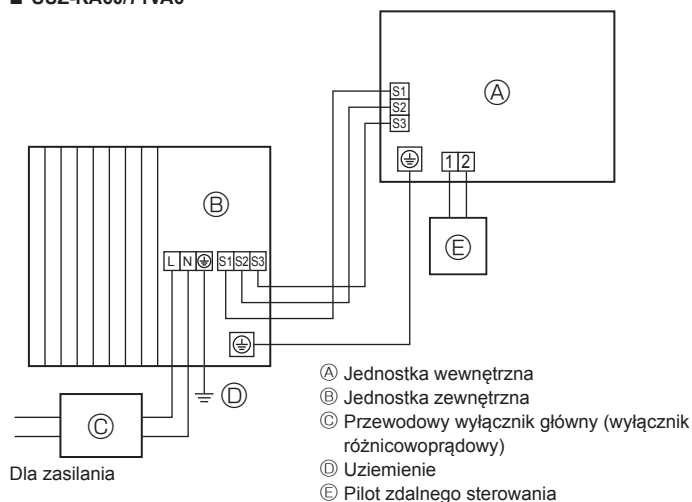
- ① Usunąć panel serwisowy.
- ② Podłączyć przewody zgodnie z rys. 6-1, rys. 6-2, rys. 6-3 i rys. 6-4.

■ SUZ-KA25/35/50VA6



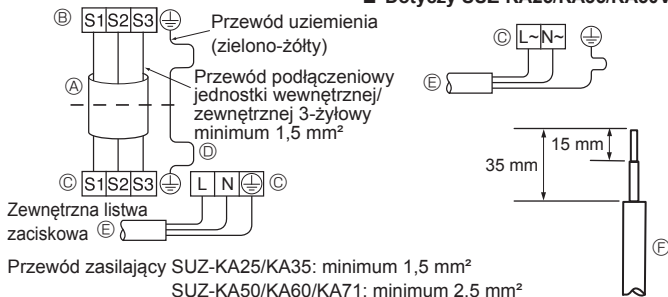
Rys. 6-1

■ SUZ-KA60/71VA6



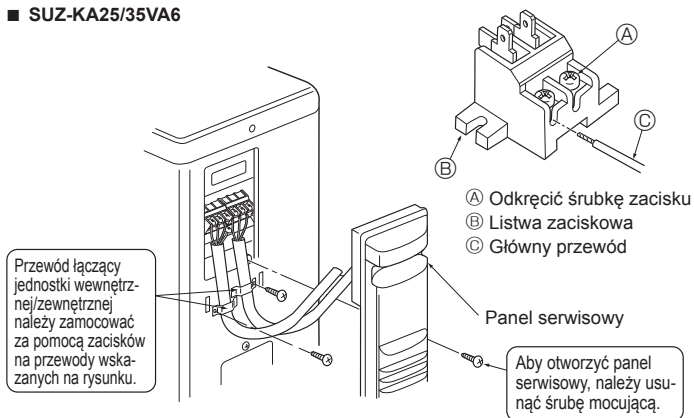
Wewnętrzna listwa zaciskowa

■ Dotyczy SUZ-KA25/KA35/KA50VA6



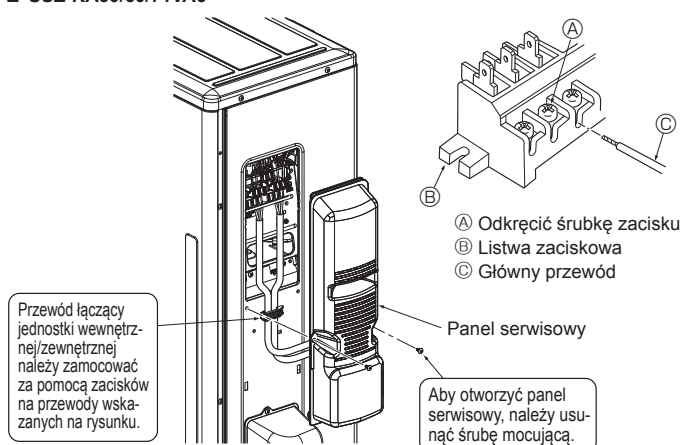
Rys. 6-2

■ SUZ-KA25/35VA6



Rys. 6-3

■ SUZ-KA50/60/71VA6



Rys. 6-4

- Przewody należy poprowadzić zgodnie ze schematem po lewej stronie poniżej (przewód zakupić we własnym zakresie) (rys. 6-2). Należy stosować tylko przewody o odpowiedniej biegunowości.

- A Przewód przyłączeniowy
- B Wewnętrzna listwa zaciskowa
- C Zewnętrzna listwa zaciskowa
- D Zawsze mocować przewód uziemienia o długości większej niż pozostałe przewody.
- E Przewód zasilający
- F Główny przewód

- Przewód uziemienia powinien być nieco dłuższy od pozostałych. (Ponad 100 mm)
- Z myślą o przyszłym serwisowaniu należy zastosować odpowiednio dłuższe przewody zasilające.
- Podczas mocowania przewodów do listwy zaciskowej należy wkręcić poszczególne śruby w odpowiednie zaciski.

- Przewód z jednostki wewnętrznej należy odpowiednio podłączyć do listwy zaciskowej.
- Należy używać tych samych listw zaciskowych i biegunowości, co w przypadku jednostki wewnętrznej.
- Na potrzeby przeprowadzania konserwacji należy zastosować odpowiednio dłuższy przewód zasilający.

- Na obu końcach przewodu zasilającego (przewodu przedłużającego) należy usunąć izolację. Jeśli przewód jest zbyt długi lub podłączony przez odcięcie na środku, należy usunąć izolację przewodu na odcinku przedstawionym na rysunku.
- Należy uważać, aby nie pozwolić na kontakt przewodu z instalacją rurową.

⚠ Przewaga:

- Należy uważać, aby nie dokonać błędnego podłączenia przewodów.
- Mocno dokręcić śruby zaciskowe, zapobiegając ich poluzowaniu.
- Po dokręceniu lekko pociągnąć za przewody, sprawdzając, czy się nie ruszają.

⚠ Ostrzeżenie:

- Panel serwisowy jednostki zewnętrznej należy mocno zamocować. Jeśli nie jest odpowiednio zamocowany, może to spowodować pożar lub porażenie prądem z powodu dostającego się tam pyłu, wody itp.
- Należy mocno dokręcić śruby zaciskowe.
- Okablowanie należy prowadzić tak, aby linie zasilające nie były naprężone. W przeciwnym wypadku może dojść do ich nagrzania lub pożaru.

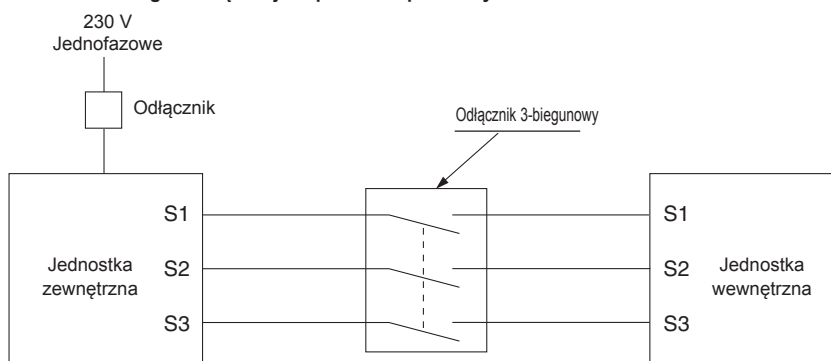
6. Instalacja elektryczna

6.2. Biegunowe przewody elektryczne

Model jednostki zewnętrznej		SUZ-KA25/KA35	SUZ-KA35 *3	SUZ-KA50/KA60/KA71
Zasilanie jednostki zewnętrznej		~/N (jednofazowe), 50 Hz, 230 V	~/N (jednofazowe), 50 Hz, 230 V	~/N (jednofazowe), 50 Hz, 230 V
Napięcie wejściowe jednostki zewnętrznej, wyłącznik główny (wyłącznik)		10 A	16 A	20 A
Oprzewodowanie Nr przewodu x rozmiar (mm ²)	Zasilanie jednostki zewnętrznej	2 x min. 1,5	2 x min. 2,0	2 x min. 2,5
	Uziemienie zasilania jednostki zewnętrznej	1 x min. 1,5	1 x min. 2,0	1 x min. 2,5
	Jednostka wewnętrzna – jednostka zewnętrzna	3 x 1,5 (biegunowy)	3 x 1,5 (biegunowy)	3 x 1,5 (biegunowy)
	Uziemienie: jednostka wewnętrzna – jednostka zewnętrzna	1 x min. 1,5	1 x min. 1,5	1 x min. 1,5
Wart. znam. obwodu	Jednostka zewnętrzna między przewodem fazowym a neutralnym	230 V AC	230 V AC	230 V AC
	Jednostka wewnętrzna – jednostka zewnętrzna S1 – S2	230 V AC	230 V AC	230 V AC
	Jednostka wewnętrzna – jednostka zewnętrzna S2 – S3	12 V DC – 24 V DC	12 V DC – 24 V DC	12 V DC – 24 V DC

- *1. Należy dostarczyć wyłącznik z przerwą między stykami wynoszącą minimum 3 mm. Należy zastosować wyłącznik różnicowoprądowy (NV). Upewnić się, że wyłącznik różnicowoprądowy jest kompatybilny z wyższymi harmonicznymi. Należy stosować wyłącznie wyłączniki różnicowoprądowe kompatybilne z wyższymi harmonicznymi, ponieważ jednostka wyposażona jest w falownik. Zastosowanie nieodpowiedniego wyłącznika może spowodować nieodpowiednie działanie falownika.
- *2. Przedstawione liczby NIE we wszystkich wypadkach biorą pod uwagę uziemienie. Między zaciskiem S3 i S2 jest napięcie stałe 24 V DC. Jednak w przypadku S3 i S1, zaciski te NIE są izolowane elektrycznie przez transformator ani inne urządzenie.
- *3. W przypadku kombinacji serii PEAD-RP35JA.

- Uwagi:**
- Średnica przewodów musi być zgodna z odpowiednimi przepisami lokalnymi i krajowymi.
 - Kable zasilające i kable przyłączeniowe jednostki wewnętrznej/zewnętrznej nie mogą być niższej jakości od przewodu elastycznego w powłoce polichloroprenowej (zgodnie z normą 60245 IEC 57).
 - Zamocować przewód uziemienia o długości większej niż pozostałe przewody.



⚠ Ostrzeżenie:

Zacisk S3 jest pod wysokim napięciem powodowanym konstrukcją obwodu elektrycznego, w którym brak izolacji elektrycznej pomiędzy linią energetyczną a linią zasilającą. Z tego powodu należy na czas serwisowania odłączyć główne zasilanie. Nie należy dotykać zacisków S1, S2, S3, kiedy zasilanie znajduje się pod napięciem. Jeśli między jednostką wewnętrzną a jednostką zewnętrzną konieczne jest zastosowanie odłącznika, należy zastosować odłącznik 3-biegunowy.

Nigdy nie łączyć ze sobą (przez splatanie) przewodu zasilającego ani przewodu łączącego jednostkę zewnętrzną z wewnętrzną, ponieważ może to spowodować powstanie dymu, ognia lub błędu komunikacji.

7. Konserwacja

7.1. Uzupelnianie gazu (rys. 7-1)

- Podłączyć butlę z gazem do otworu serwisowego zaworu odcinającego (3-drogowy).
- Wykonać przedmuch rury (lub węża) z butli z gazem chłodniczym.
- Uzupelnić odpowiednią ilością czynnika chłodniczego przy włączonym na chłodzenie klimatyzatorze.

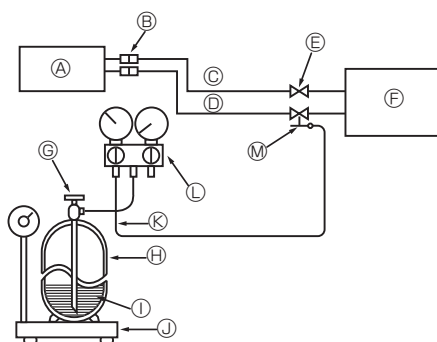
Uwaga:

W przypadku dodawania czynnika chłodniczego należy zastosować ilość określoną dla obiegu chłodniczego.

⚠ Przystroga:

- Czynnika chłodniczego nie wolno wypuszczać do atmosfery. Należy uważać, aby nie wypuszczać czynnika chłodniczego do atmosfery podczas instalacji, ponownej instalacji lub napraw obiegu czynnika chłodniczego.
- W przypadku dodatkowego uzupełniania należy uzupełnić płynny czynnik chłodniczy z butli z gazem. Jeśli czynnik chłodniczy byłby uzupełniany w formie gazowej, może dojść do zmiany formy czynnika wewnątrz butli i jednostki zewnętrznej. W takim przypadku możliwości obiegu chłodniczego spadną, a normalne działanie może okazać się niemożliwe. Jednak całkowite jednorazowe uzupełnienie płynnego czynnika chłodniczego może spowodować zablokowanie sprężarki. Z tego powodu czynnik chłodniczy należy uzupełniać powoli.

Aby utrzymać wysokie ciśnienie butli z gazem, w zimie należy ogrzewać butlę ciepłą wodą (poniżej 40°C). Nie należy robić tego za pomocą otwartego ognia ani pary.



- | | |
|---|---|
| Ⓐ Jednostka wewnętrzna | Ⓗ Butla z czynnikiem chłodniczym R410A z syfonem |
| Ⓑ Złączka | Ⓘ Czynniki chłodnicze (płynny) |
| Ⓒ Rura cieczowa | Ⓝ Elektroniczna waga do uzupełniania czynnika |
| Ⓓ Rura gazowa | Ⓞ Wąż do uzupełniania czynnika (dla czynnika R410A) |
| Ⓔ Zawór odcinający | Ⓟ Zawór pomiarowy (dla czynnika R410A) |
| Ⓛ Jednostka zewnętrzna | Ⓜ Otwór serwisowy |
| Ⓝ Zawór obsługowy butli czynnika chłodniczego | |

Rys. 7-1

8. Odpompowywanie

Podczas zmiany miejsca instalacji lub utylizacji klimatyzatora należy odpompować zawartość układu zgodnie z poniższym opisem, tak aby czynnik chłodniczy nie został wypuszczony do atmosfery.

- ① Wyłączyć zasilanie (wyłącznik automatyczny).
- ② Podłączyć zawór pomiarowy do otworu serwisowego zaworu odcinającego po stronie rury gazowej jednostki zewnętrznej.
- ③ Całkowicie zamknąć zawór odcinający po stronie rury cieczowej jednostki zewnętrznej.
- ④ Podać zasilanie (wyłącznik automatyczny).
- ⑤ Wykonać odpompowanie czynnika chłodniczego (chłodzenie próbne).
 - W modelu PAR-31MAA należy wybrać "Service" → "TestRun" w menu głównym, aby uruchomić pracę próbną, po czym wybrać tryb chłodzenia.
 - Szczegółowe informacje lub inne informacje na temat uruchamiania pracy próbnej podczas korzystania z pilotów zdalnego sterowania znajdują się w instrukcji montażu jednostki wewnętrznej lub pilota zdalnego sterowania.
- ⑥ Gdy manometr pokaże wartość 0,05 do 0 MPa [manometr] (ok. 0,5 do 0 kgf/cm²), należy całkowicie zamknąć zawór odcinający gazu po stronie rury gazowej jednostki zewnętrznej i szybko wyłączyć klimatyzator.
 - Wcisnąć przycisk "ON/OFF" na pilocie zdalnego sterowania, aby wyłączyć klimatyzator.

* Należy pamiętać, że jeśli podłączone przewody opcjonalne są bardzo długie i zawierają dużą ilość czynnika chłodniczego, przeprowadzenie odpompowania może być niemożliwe. W takim przypadku należy zastosować urządzenie do odzyskiwania czynnika chłodniczego z układu.

- ⑦ Wyłączyć zasilanie (wyłącznik automatyczny), usunąć zawór przyłącza manometru, po czym odłączyć rury czynnika chłodniczego.

⚠ Ostrzeżenie:

Podczas odsysania czynnika chłodniczego należy przed odłączeniem przewodów czynnika chłodniczego wyłączyć sprężarkę.

- Jeśli przewody czynnika chłodniczego zostaną odłączone podczas działania sprężarki, a zawór odcinający (zawór kulowy) jest otwarty, ciśnienie w obiegu chłodniczym może poprzez wciągnięcie powietrza ekstremalnie wzrosnąć, co może spowodować rozerwanie rur, obrażenia fizyczne itp.

9. Dane techniczne

Model zewnętrzny		SUZ-KA25VA6.TH	SUZ-KA35VA6.TH	SUZ-KA50VA6.TH	SUZ-KA60VA6.TH	SUZ-KA71VA6.TH
Zasilanie		Jednofazowe 230 V, 50 Hz				
Wymiary szer. × wys. × gł.		800 × 550 × 285		840 × 880 × 330		
Masa		30	35	54	50	53
Poziom hałasu *1	Chłodzenie	47	49	52	55	
	Grzanie	48	50	52	55	

*1 Pomiar przeprowadzony przy znamionowej częstotliwości roboczej.

EC DECLARATION OF CONFORMITY
EG-KONFORMITÄTSEKTLÄRUNG
DECLARATION DE CONFORMITÉ CE
EG-CONFORMITEITSVERKLARING

DECLARACIÓN DE CONFORMIDAD CE
DICHIARAZIONE DI CONFORMITÀ CE
ΔΗΛΩΣΗ ΠΙΣΤΟΤΗΤΑΣ ΕΚ

DECLARAÇÃO DE CONFORMIDADE CE
EU-ÖVERENSSTÄMMELSEERKLÄRING
EG-DEKLARATION OM ÖVERENSSTÄMMEELSE

EC UYGUNLUK BEYANI
CE-ERKLÆRING OM SAMSVAR
DEKLARACJA ZGODNOŚCI WE

mitsubishi electric consumer products (thailand) co., ltd.
AMATA NAKORN INDUSTRIAL ESTATE 700/406 MOO 7, TAMBON DON HUA ROH, AMPHUR MUANG, CHONBURI 20000, THAILAND

hereby declares under its sole responsibility that the air conditioners and heat pumps described below for use in residential, commercial and light-industrial environments:
erklärt hiermit auf seine alleinige Verantwortung, dass die Klimaanlage und Wärmepumpen für das häusliche, kommerzielle und leicht-industrielle Umfeld wie unten beschrieben:
déclare par la présente et sous sa propre responsabilité que les climatiseurs et les pompes à chaleur décrits ci-dessous, destinés à un usage dans des environnements résidentiels, commerciaux et d'industrie légère :
verklaart hierbij onder eigen verantwoordelijkheid dat de voor residentiële, commerciële en licht-industriële omgevingen bestemde airconditioners en warmtepompen zoals onderstaand beschreven:
por la presente declara bajo su única responsabilidad que los acondicionadores de aire y bombas de calor descritas a continuación para su uso en entornos residenciales, comerciales y de industria ligera:
conferma con la presente, sotto la sua esclusiva responsabilità, che i condizionatori d'aria e le pompe di calore descritti di seguito e destinati all'utilizzo in ambienti residenziali, commerciali e semi-industriali:
με το παρόν πιστοποιεί με αποκλειστική της ευθύνη ότι οι τα κλιματιστικά και οι αντλίες θέρμανσης που περιγράφονται παρακάτω για χρήση σε οικιακό, επαγγελματικό και ελαφριάς βιομηχανίας περιβάλλοντα:
através da presente declara sob sua única responsabilidade que os aparelhos de ar condicionado e bombas de calor abaixo descritos para uso residencial, comercial e de indústria ligeira:
erklærer hermed under eneansvar, at de herunder beskrevne airconditionanlæg og varmepumper til brug i privat boligbyggeri, erhvervsområder og inden for let industri:
intygat härmed att luftkonditioneringarna och värmepumparna som beskrivs nedan för användning i bostäder, kommersiella miljöer och lätta industriella miljöer:
ev, ticaret ve hafif sanayi ortamlarında kullanım amaçlı üretilen ve aşağıda açıklanan klima ve ısıtma pompalarıyla ilgili aşağıdaki hususları yalnızca kendi sorumluluğunda beyan eder:
erklærer et fullstendig ansvar for undernevnte klimaanlegg og varmepumper ved bruk i boliger, samt kommersielle og lettindustrielle miljøer:
niniejszym oświadczam na swoją wyłączną odpowiedzialność, że klimatyzatory i pompy ciepła opisane poniżej, są przeznaczone do zastosowań w środowisku mieszkalnym, handlowym i lekko przemysłowym:

MITSUBISHI ELECTRIC, SUZ-KA25VA*, SUZ-KA35VA*, SUZ-KA50VA*
SUZ-KA60VA*, SUZ-KA71VA*
* : , , 1, 2, 3, . . . , 9

Note: Its serial number is on the nameplate of the product.
Hinweis: Die Seriennummer befindet sich auf dem Kennschild des Produkts.
Remarque : Le numéro de série de l'appareil se trouve sur la plaque du produit.
Opmerking: het serienummer staat op het naamplaatje van het product.
Nota: El número de serie se encuentra en la placa que contiene el nombre del producto.
Nota: il numero di serie si trova sulla targhetta del prodotto.
Σημείωση: Ο σειριακός του αριθμός βρίσκεται στην πινακίδα ονόματος του προϊόντος.

Nota: o número de série encontra-se na placa que contém o nome do produto.
Bemærk: Serienummeret står på produktets fabriksskilt.
Obs: Serienumret finns på produktens namnplåt.
Not: Seri numarası ürünün isim plakasında yer alır.
Merk: Serienummeret befinner seg på navneplaten til produktet.
Uwaga: Numer seryjny znajduje się na tabliczce znamionowej produktu.

Directives
Richtlijnen
Directives
Richtlijnen
Directivas
Direttive
Οδηγίες

Directivas
Direktiver
Direktiv
Direktifler
Direktiver
Dyrektywy

2014/35/EU: Low Voltage Directive
2006/42/EC: Machinery Directive
2014/30/EU: Electromagnetic Compatibility Directive
2011/65/EC: RoHS Directive
2009/125/EC: Energy-related Products Directive and Regulation (EU) No 206/2012

Issued:
THAILAND

20 Apr. 2016

Akira HIDAHA
Manager, Quality Assurance Department

<ENGLISH>

English is original. The other languages versions are translation of the original.

⚠ CAUTION

- Refrigerant leakage may cause suffocation. Provide ventilation in accordance with EN378-1.
- Be sure to wrap insulation around the piping. Direct contact with the bare piping may result in burns or frostbite.
- Never put batteries in your mouth for any reason to avoid accidental ingestion.
- Battery ingestion may cause choking and/or poisoning.
- Install the unit on a rigid structure to prevent excessive operation sound or vibration.
- Noise measurement is carried out in accordance with JIS C9612, JIS B8616, ISO 5151(T1), and ISO 13523(T1).

<DEUTSCH>

Das Original ist in Englisch. Die anderen Sprachversionen sind vom Original übersetzt.

⚠ VORSICHT

- Das Auslaufen von Kältemittel kann zu Erstickung führen. Sorgen Sie für Belüftung gemäß der Bestimmung EN378-1.
- Sicherstellen, dass die Rohrführung isoliert ist. Direkter Kontakt mit der blanken Rohrleitung kann zu Verbrennungen oder Erfrierung führen.
- Nehmen Sie unter keinen Umständen Batterien in den Mund, um versehentliches Verschlucken zu vermeiden.
- Das Verschlucken von Batterien kann zu Erstickung und/oder Vergiftung führen.
- Installieren Sie das Gerät an einer stabilen Struktur, um übermäßige Betriebsgeräusche oder Vibration zu vermeiden.
- Geräuschmessungen werden gemäß der Bestimmungen JIS C9612, JIS B8616, ISO 5151(T1), und ISO 13523(T1) ausgeführt.

<FRANÇAIS>

L'anglais est l'original. Les versions fournies dans d'autres langues sont des traductions de l'original.

⚠ PRECAUTION

- Une fuite de réfrigérant peut entraîner une asphyxie. Fournissez une ventilation adéquate en accord avec la norme EN378-1.
- Assurez-vous que la tuyauterie est enveloppée d'isolant. Un contact direct avec la tuyauterie nue peut entraîner des brûlures ou des engelures.
- Ne mettez jamais des piles dans la bouche pour quelque raison que ce soit pour éviter de les avaler par accident.
- Le fait d'ingérer des piles peut entraîner un étouffement et/ou un empoisonnement.
- Installez l'unité sur une structure rigide pour prévenir un bruit de fonctionnement et une vibration excessifs.
- Les mesures de niveau sonore ont été effectuées en accord avec les normes JIS C9612, JIS B8616, ISO 5151(T1) et ISO 13523(T1).

<NEDERLANDS>

Het Engels is het origineel. De andere taalversies zijn vertalingen van het origineel.

⚠ VOORZICHTIG

- Het lekken van koelvoelstof kan verstikking veroorzaken. Zorg voor ventilatie in overeenstemming met EN378-1.
- isoleer de leidingen met isolatiemateriaal. Direct contact met de onbedekte leidingen kan leiden tot brandwonden of bevriezing.
- Stop nooit batterijen in uw mond om inslikking te voorkomen.
- Het inslikken van batterijen kan verstikking of vergiftiging veroorzaken.
- Installeer het apparaat op een stabiele structuur om overmatig lawaai of trillingen te voorkomen.
- Geluidsmetingen worden uitgevoerd in overeenstemming met JIS C9612, JIS B8616, ISO 5151(T1), en ISO 13523(T1).

<ESPAÑOL>

El idioma original del documento es el inglés. Las versiones en los demás idiomas son traducciones del original.

⚠ CUIDADO

- Las pérdidas de refrigerante pueden causar asfixia. Se debe proporcionar la ventilación determinada en EN378-1.
- Asegúrese de colocar el aislante alrededor de las tuberías. El contacto directo con la tubería puede ocasionar quemaduras o congelación.
- Para evitar una ingestión accidental, no coloque las pilas en su boca bajo ningún concepto.
- La ingestión de las pilas puede causar asfixia y/o envenenamiento.
- Coloque la unidad en una estructura rígida para evitar que se produzcan sonidos o vibraciones excesivos debidos a su funcionamiento.
- La medición de los ruidos se lleva a cabo de acuerdo con JIS C9612, JIS B8616, ISO 5151(T1) y ISO 13523(T1).

<ITALIANO>

Il testo originale è redatto in lingua Inglese. Le altre versioni linguistiche rappresentano traduzioni dell'originale.

⚠ ATTENZIONE

- Perdite di refrigerante possono causare asfissia. Prevedere una ventilazione adeguata in conformità alla norma EN378-1.
- Accertarsi di applicare materiale isolante intorno alle tubature. Il contatto diretto con le tubature non schermate può provocare ustioni o congelamento.
- Non introdurre in nessun caso le batterie nella bocca onde evitare ingestioni accidentali.
- L'ingestione delle batterie può provocare soffocamento e/o avvelenamento.
- Installare l'unità su di una struttura rigida in modo da evitare rumore o vibrazioni eccessivi durante il funzionamento.
- La misurazione del rumore viene effettuata in conformità agli standard JIS C9612, JIS B8616, ISO 5151(T1) e ISO 13523(T1).

<ΕΛΛΗΝΙΚΑ>

Η γλώσσα του πρωτοτύπου είναι η αγγλική. Οι εκδόσεις άλλων γλωσσών είναι μεταφράσεις του πρωτοτύπου.

⚠ ΠΡΟΣΟΧΗ

- Η διαρροή του ψυκτικού ενδέχεται να προκαλέσει ασφυξία. Φροντίστε για τον εξαερισμό σύμφωνα με το EN378-1.
- Βεβαιωθείτε ότι τυλιχτείτε με μονωτικό υλικό τη σωλήνωση. Η απευθείας επαφή με τη γυμνή σωλήνωση ενδέχεται να προκαλέσει εγκαύματα ή κρυοπαγήματα.
- Μην βάζετε ποτέ τις μπαταρίες στο στόμα σας για κανένα λόγο ώστε να αποφύγετε την κατά λάθος κατάποσή τους.
- Η κατάποση μπαταριών ενδέχεται να προκαλέσει πνιγμό και/ή δηλητηρίαση.
- Εγκαταστήστε τη μονάδα σε σταθερή κατασκευή ώστε να αποφύγετε τον έντονο ήχο λειτουργίας ή τους κραδασμούς.
- Η μέτρηση θορύβου πραγματοποιήθηκε σύμφωνα με τα JIS C9612, JIS B8616, ISO 5151(T1) και ISO 13523(T1).

<PORTUGUÊS>

O idioma original é o inglês. As versões em outros idiomas são traduções do idioma original.

⚠ CUIDADO

- As fugas de refrigerante podem provocar asfixia. Proporcione ventilação de acordo com a EN378-1.
- Certifique-se de que coloca isolamento em redor da tubagem. O contacto directo com a tubagem pode resultar em queimaduras ou úlceras causadas pelo frio.
- Para evitar uma ingestão accidental, nunca coloque pilhas na boca.
- A ingestão das pilhas pode provocar asfixia e/ou envenenamento.
- Instale a unidade numa estrutura rígida para evitar vibrações ou ruídos excessivos durante o seu funcionamento.
- A medição dos ruídos é efectuada de acordo com a JIS C9612, JIS B8616, ISO 5151(T1), e ISO 13523(T1).

<DANSK>

Engelsk er originalen. De andre sprogversioner er oversættelser af originalen.

⚠ FORSIGTIG

- Kølmedellækage kan forårsage kvælning. Sørg for ventilation i henhold til EN378-1.
- Der skal altid vikles isolering omkring rørene. Direkte kontakt med blottagte rør kan medføre forbrænding eller forfrysning.
- Put aldrig batterier i munden uanset årsag, du kan komme til at sluge dem.
- Hvis batterier sluges, kan det medføre kvælning og/eller forgiftning.
- Monter enheden på en fast struktur, så kraftig lyd og vibration undgås.
- Støjmåling udføres i henhold til JIS C9612, JIS B8616, ISO 5151(T1) og ISO 13523(T1).

<SVENSKA>

Engelska är originalspråket. De övriga språkversionerna är översättningar av originalet.

⚠ FÖRSIKTIGHET

- Köldmedelsläckage kan leda till kvävning. Tillhandahåll ventilation i enlighet med EN378-1.
- Kom ihåg att linda isolering runt rören. Direktkontakt med bara rör kan leda till brännskador eller köldskador.
- Stoppa aldrig batterier i munnen, de kan sväljas av misstag.
- Om ett batteri sväljs kan det leda till kvävning och/eller förgiftning.
- Montera enheten på ett stadigt underlag för att förhindra höga driftljud och vibrationer.
- Ljudmätningar har utförts i enlighet med JIS C9612, JIS B8616, ISO 5151(T1) och ISO 13523(T1).

<TÜRKÇE>

Aslı İngilizce'dir. Diğer dillerdeki sürümler aslının çevirisidir.

⚠ DİKKAT

- Soğutucu sızıntısı boğulma tehlikesine yol açabilir. EN378-1'e göre havalandırma sağlayın.
- Boruların etrafına izolasyon malzemesi kaplamayı unutmayın. Çıplak boruya doğrudan temas etmek yanmaya ve soğuk ısırmasına neden olabilir.
- Yanlışlıkla yutmamak için pilleri hiçbir nedenle asla ağzınıza sokmayın.
- Pili yutmak boğulmaya ve/veya zehirlenmeye neden olabilir.
- Aşırı gürültü sesinin veya titreşimin oluşmaması için üniteyi sert bir yapı üzerine kurun.
- Ses ölçümü JIS C9612, JIS B8616, ISO 5151(T1), ve ISO 13523(T1) standartlarına göre yapılır.

<NORSK>

Originalspråket er engelsk. De andre språkversjonene er oversettelser av originalen.

⚠ FORSIKTIG

- Kjølemiddellekkasje kan forårsake kvelning. Sørg for ventilering i samsvar med EN378-1.
- Pass på at isoleringen pakkes godt rundt røret. Direkte kontakt med ukledte rør kan forårsake brannskader eller forfrysninger.
- Aldri plasser batteri i munnen, da dette kan medføre en risiko for at du svelger batteriet ved et uhell.
- Hvis du svelger et batteri, kan du risikere kvelning og/eller forgiftning.
- Installer enheten på en stabil struktur for å forhindre unødvendig mye driftsstøy eller vibrering.
- Det A-vektede lydtryknivået er under 70 dB.
- Dette apparatet er ment for bruk av eksperter eller faglært personell i butikker, lettindustri og på gårder, eller for kommersielt bruk av ikke-fagmenn.

<POLSKI>

Językiem oryginalu jest język angielski. Inne wersje językowe stanowią tłumaczenia oryginalu.

⚠ UWAGA

- Wyciek czynnika chłodniczego może spowodować uduszenie. Należy zapewnić wentylację zgodnie z normą EN378-1.
- Należy pamiętać, aby owinać izolację wokół przewodów rurowych. Bezpośredni kontakt z niezabezpieczonymi przewodami rurowymi może doprowadzić do poparzeń lub odmrożeń.
- Nie wolno wkładać baterii do ust z jakiegokolwiek powodu, aby uniknąć przypadkowego połknięcia.
- Połknięcie baterii może spowodować zadławienie i/lub zatrucie.
- Zainstalować urządzenie na sztywnej konstrukcji, aby zapobiec nadmieremu hałasowi i wibracjom.
- Poziom dźwięku A nie przekracza 70 dB.
- W sklepie, w przemyśle lekkim i w gospodarstwach rolnych urządzenie powinny obsługiwać profesjonalni lub przeszkoleni użytkownicy, a w środowisku handlowym mogą to być osoby nieposiadające fachowej wiedzy.

This product is designed and intended for use in the residential, commercial and light-industrial environment.

Importer:

Mitsubishi Electric Europe B.V.
Capronilaan 46, 1119 NS, Schiphol Rijk, The Netherlands

French Branch
25, Boulevard des Bouvets, 92741 Nanterre Cedex, France

German Branch
Mitsubishi-Electric-Platz 1, 40882 Ratingen, Germany

Belgian Branch
Autobaan 2, 8210 Loppem, Belgium

Irish Branch
Westgate Business Park, Ballymount, Dublin 24, Ireland

Italian Branch
Centro Direzionale Colleoni, Palazzo Sirio-Ingresso 1 Viale Colleoni 7, 20864 Agrate Brianza (MB), Italy

Norwegian Branch
Gneisveien 2D, 1914 Ytre Enebakk, Norway

Portuguese Branch
Avda. do Forte, 10, 2799-514, Carnaxide, Lisbon, Portugal

Spanish Branch
Carretera de Rubi 76-80 - Apdo. 420 08173 Sant Cugat del Valles (Barcelona), Spain

Scandinavian Branch
Hammarbacken 14, P.O. Box 750 SE-19127, Sollentuna, Sweden

UK Branch
Travellers Lane, Hatfield, Herts., AL10 8XB, England, U.K.

Polish Branch
Krakowska 50, PL-32-083 Balice, Poland

mitsubishi electric turkey elektrik ürünleri a.ş.
Şerifali Mah. Kale Sok. No: 41 34775 Ümraniye, İstanbul / Turkey

MITSUBISHI ELECTRIC (RUSSIA) LLC
52, bld.1 Kosmodamianskaya Nab. 115054, Moscow, Russia

Please be sure to put the contact address/telephone number on this manual before handing it to the customer.

MITSUBISHI ELECTRIC CORPORATION

HEAD OFFICE: TOKYO BUILDING, 2-7-3, MARUNOUCHI, CHIYODA-KU, TOKYO 100-8310, JAPAN