



LFH-SBX40G1AS10SZ0

LFH

LEVEL PROBE

SICK
Sensor Intelligence.



Illustration may differ



Ordering information

| Type | Part no. |
|--------------------|----------|
| LFH-SBX40G1AS10SZ0 | 6040943 |

Other models and accessories → www.sick.com/LFH

Detailed technical data

Features

| | |
|--|--|
| Medium | Fluids |
| Pressure type | Gauge pressure |
| Pressure unit | bar |
| Measuring range | 0 bar ... 0.4 bar |
| Process temperature | -10 °C ... +50 °C |
| Maximum ohmic load R_A | 4 mA ... 20 mA, 2-wire, $R_A \leq (L^+ - 10 \text{ V}) / 0.02 \text{ A} - (0.14 \times \text{cable length in m})$ [Ohm] 0 V ... 10 V, 3-wire optional with enhanced variant, $R_A > 100 \text{ kOhm}$ 0 V ... 5 V, 3-wire optional with enhanced variant, $R_A > 100 \text{ kOhm}$ |
| Output signal | 4 mA ... 20 mA, 2-wire |
| Length of cable | 10 m |
| Cable material | PUR (tensile strength 1000 N), FEP optional available (tensile strength 500 N) |

Mechanics/electronics

| | |
|-----------------------------|--|
| Wetted parts | Housing: Stainless steel Pressure connection/diaphragm: CrNi steel Protection cap: PA |
| Connection type | PUR cable |
| Supply voltage | 10 V DC ... 30 V DC |
| Electrical safety | Protection class: III Short-circuit protection: Q_A towards M Reverse polarity protection: L^+ to M Surge protection: According to EN 61000-4-5 (1.5 J) optional for enhanced variant |
| Dielectric strength | 500 V DC, NEC Class 02 power supply (low voltage and low current max. 100 VA even in the event of a fault) |
| CE-conformity | EMC directive: 2014/30/EU, EN 61 326-2-3 |
| Weight sensor | 0.18 kg |
| Cable weight | 0.08 kg/m |
| Enclosure rating | IP68 |
| Protection class III | ✓ |
| MTTF | 403 years |

Performance

| | |
|---|---|
| Non-linearity | $\leq \pm 0.2 \%$, of span (Best Fit Straight Line, BFSL) according to IEC 61298-2 |
| Accuracy | $\leq \pm 0.5 \%$ of the span |
| Non-repeatability | $\leq \pm 0.1 \%$ of the span |
| Long-term drift/one-year stability | $\leq \pm 0.2 \%$ of span (at reference conditions) |
| Temperature coefficient in rated temperature range | Mean TC of zero: $\leq 0.2 \%$ of span / 10 K ($< 0.4 \%$ for pressure ranges ≤ 0.25 bar) Mean TC of span $\leq 0.2 \%$ of span / 10 K |
| Rated temperature range | 0 °C ... +50 °C |

Ambient data

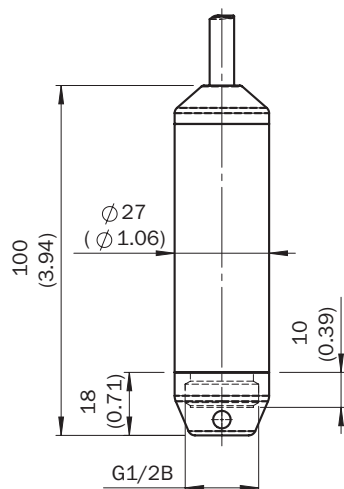
| | |
|----------------------------|-------------------|
| Storage temperature | -30 °C ... +80 °C |
|----------------------------|-------------------|

Classifications

| | |
|-----------------------|----------|
| eCl@ss 5.0 | 27200614 |
| eCl@ss 5.1.4 | 27200614 |
| eCl@ss 6.0 | 27200614 |
| eCl@ss 6.2 | 27200614 |
| eCl@ss 7.0 | 27200614 |
| eCl@ss 8.0 | 27200614 |
| eCl@ss 8.1 | 27200614 |
| eCl@ss 9.0 | 27200614 |
| eCl@ss 10.0 | 27200614 |
| eCl@ss 11.0 | 27200614 |
| eCl@ss 12.0 | 27200614 |
| ETIM 5.0 | EC011478 |
| ETIM 6.0 | EC011478 |
| ETIM 7.0 | EC011478 |
| ETIM 8.0 | EC011478 |
| UNSPSC 16.0901 | 41111950 |





Dimensional drawing (Dimensions in mm (inch))

Standard version (Immersion depth up to 100 m)



Recommended accessories

Other models and accessories → www.sick.com/LFH

| | Brief description | Type | Part no. |
|---|--|---------------------|----------|
| Distributors | | | |
|  | Dimensions (W x D x H) 57 mm x 130 mm x 94 mm, for electrical connection of level probe LFH | ASK-CB-LFH-PCO-0001 | 5324310 |
| Other mounting accessories | | | |
|  | Additional weight for stabilizing the LFH level sensor in moving liquids. Interior process connection G 1/2, is fastened to the level sensor instead of the protective cap. Weight: 500 g., Stainless steel 1.4571 | BEF-AW-LFHSST-0001 | 5324308 |
| Protection filter | | | |
|  | Protection filter for connection cable. Prevents humidity from entering the ventilation tube of the connection cable. For self-mounting at cable end. | APR-VF-LFH001-0001 | 5324309 |
| Terminal and alignment brackets | | | |
|  | Cable tension clamp for mounting the connection cable of the level sensor, max. tensile load = 2.5 kN (not to be used with FEP cable), steel, zinc coated, plastic | BEF-CC-LFH001-0001 | 5324307 |

SICK AT A GLANCE

SICK is one of the leading manufacturers of intelligent sensors and sensor solutions for industrial applications. A unique range of products and services creates the perfect basis for controlling processes securely and efficiently, protecting individuals from accidents and preventing damage to the environment.

We have extensive experience in a wide range of industries and understand their processes and requirements. With intelligent sensors, we can deliver exactly what our customers need. In application centers in Europe, Asia and North America, system solutions are tested and optimized in accordance with customer specifications. All this makes us a reliable supplier and development partner.

Comprehensive services complete our offering: SICK LifeTime Services provide support throughout the machine life cycle and ensure safety and productivity.

For us, that is “Sensor Intelligence.”

WORLDWIDE PRESENCE:

Contacts and other locations –www.sick.com