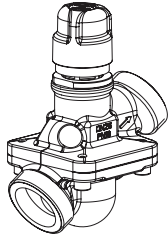


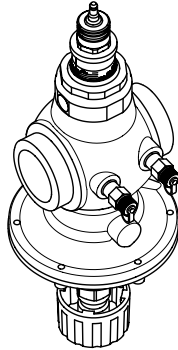
Installation Guide

AB-QM (1/2"-2") / 73693850

# AB-QM (1/2"-2")



AB-QM (1/2"-1 1/4")



AB-QM (1 1/2"-2")

Temp range: 5 to 250 °F (-15 to 121 °C)  
 Max. static pressure: 300 psi (PN 20)  
 Max. Diff. pressure: 58 psi (4 bar)

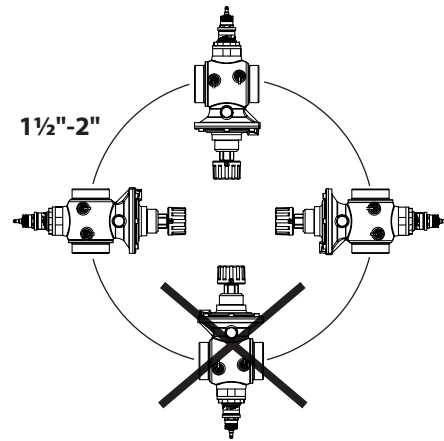
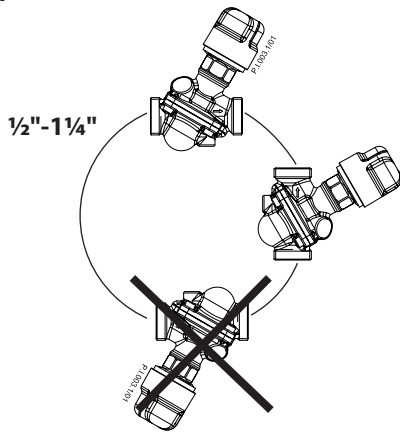
**Connections-** 2 reg. per valve

AB-QM	Code No. (MNPT)	Code No. (F. Solder)
1/2"	003Z0282	003Z0292
3/4"	003Z0283	003Z0293
1"	003Z0284	003Z0294
1 1/4"	003Z0285	003Z0295
1 1/2"	003Z0286	003Z0296
2"	003Z0287	003Z0297

**Electric Actuators**

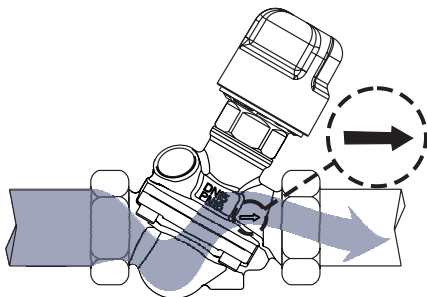
Style	Signal	Code No.
TWA-Z	ON/OFF, 2-wire	082F1222
ABNM-Z	Input: 0-10 VDC, 3-wire	082F1094
Required adapter for the ABNM-Z actuator		082F1072
AMI 140	ON/Off, 3 wire	082H8048
AMV 110 NL	3-point, 3-wire	082H8056
		082H8076
AME 110 NL	Input: 0-10 VDC/4-20 mA Output: 0-10 VDC	082H8057
		082H8077
		082H8087
AME 435 QM		082H0171

**Orientation**

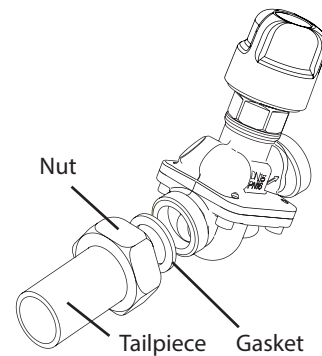


Actuators should not be installed downward.

**Flow Direction**



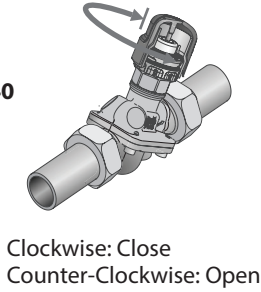
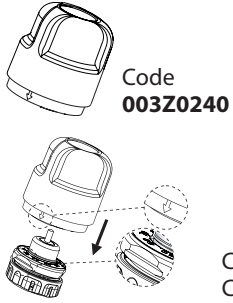
**Assembly**



AB-QM (1/2"-2")

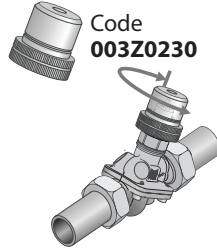
**Manual Shutoff (1/2"-1 1/4") plastic**

Included with all ABQM valves  
 $\Delta p$  max = 14.5 psi (1 bar)



**Manual Shutoff (1/2"-1 1/4") brass**

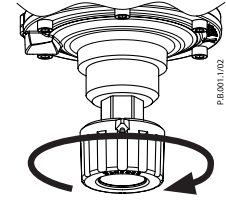
Order separately if required  
 $\Delta p$  max = 300 psi (20 bar)



Clockwise: Close  
 Counter-Clockwise: Open

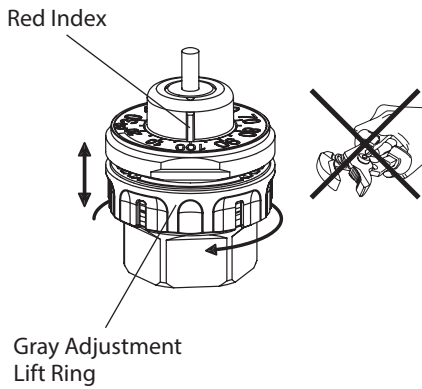
**Manual Shutoff (1 1/2"-2")**

$\Delta p$  max = 300 psi (20 bar)

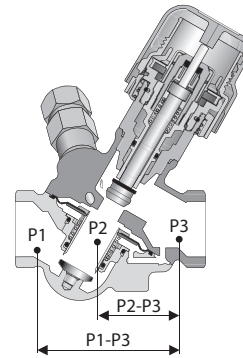


2.2 lbf ft (3 Nm)

**Flow Adjustment (1/2"-1 1/4")**

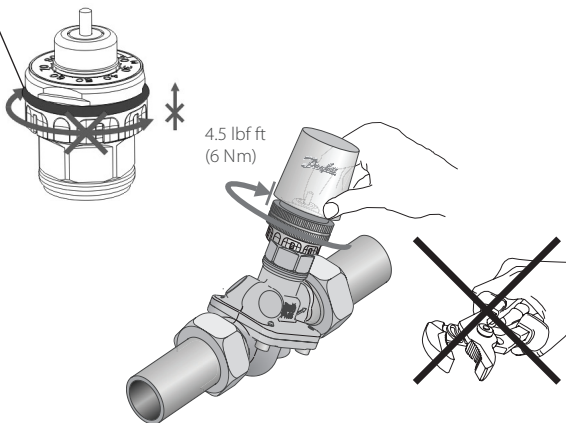


Min. 2.3 psi to 2.9 psi differential pressure to inlet of valve, P1-P3 for proper setting of ABQM

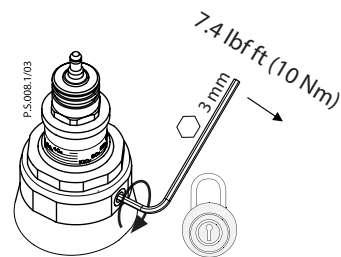


**Locking (1/2"-1 1/4")**

Code 003Z0236

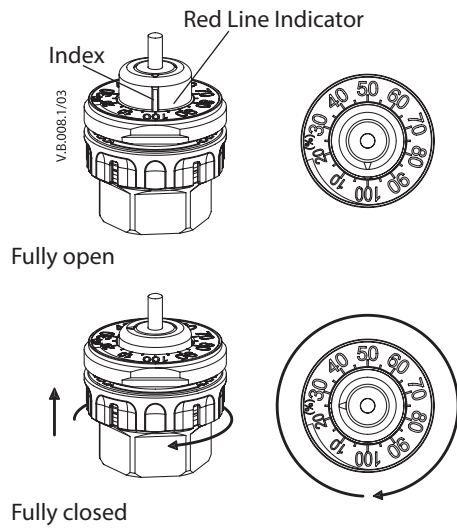


**Locking (1 1/2"-2")**

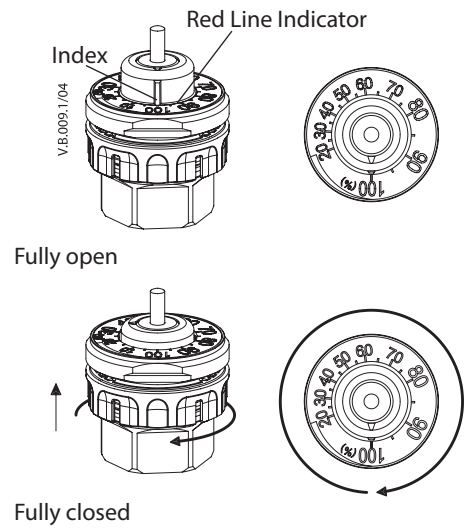


### AB-QM (1/2"-2")

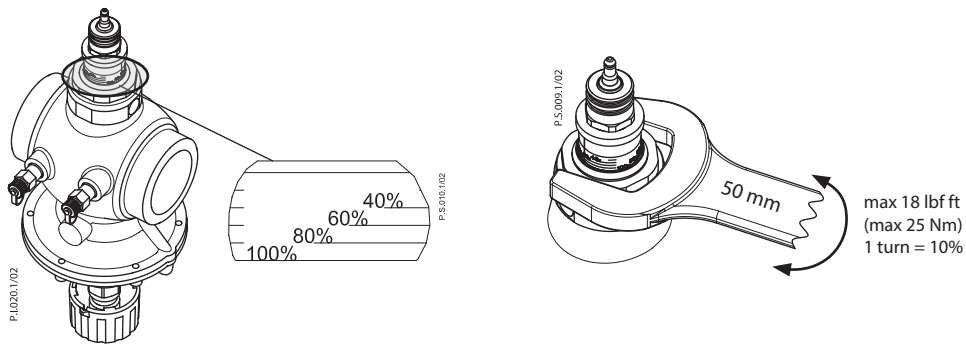
#### Setting (1/2" & 3/4")



#### Setting (1" & 1 1/4")



#### Setting (1 1/2"-2")

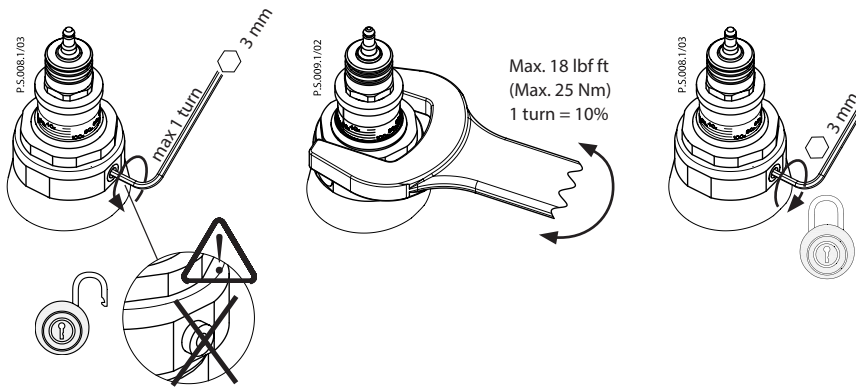


Setting	Flow (GPM)					
	1/2"	3/4"	1"	1 1/4"	1 1/2"	2"
20%	1.0	1.5	2.4	3.5	6.6	-
25%	1.25	1.9	3.0	4.4	8.2	-
30%	1.5	2.2	3.6	5.3	9.9	-
35%	1.75	2.6	4.2	6.1	11.5	-
40%	2.0	3.0	4.8	7.0	13.2	22.0
45%	2.25	3.4	5.4	7.9	14.8	24.7
50%	2.5	3.7	6.0	8.8	16.5	27.5
55%	2.75	4.1	6.6	9.6	18.1	30.2
60%	3.0	4.5	7.2	10.5	19.8	33.0
65%	3.25	4.9	7.8	11.4	21.4	35.7
70%	3.5	5.2	8.4	12.3	23.1	38.5
75%	3.75	5.6	9.0	13.1	24.7	41.2
80%	4.0	6.0	9.6	14.0	26.4	44.0
85%	4.25	6.4	10.2	14.9	28.0	46.7
90%	4.5	6.7	10.8	15.8	29.7	49.5
95%	4.75	7.1	11.4	16.6	31.3	52.2
100%	5.0	7.5	12.0	17.5	33.0	55.0

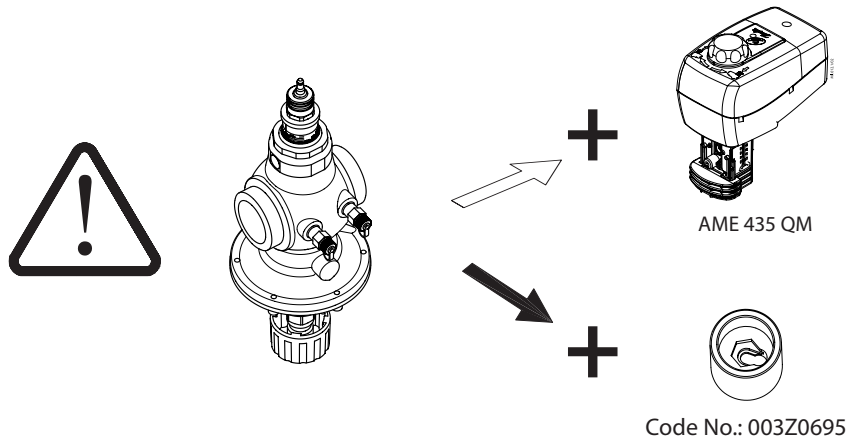
Note for 1 1/2" and 2": 1 turn = 10%

**AB-QM (1/2"-2")**

**Resetting (1 1/2"-2")**



**Combinations for 1 1/2"-2"**



**Danfoss A/S**

Climate Solutions • danfoss.com • +45 7488 2222

Any information, including, but not limited to information on selection of product, its application or use, product design, weight, dimensions, capacity or any other technical data in product manuals, catalogues descriptions, advertisements, etc. and whether made available in writing, orally, electronically, online or via download, shall be considered informative, and is only binding if and to the extent, explicit reference is made in a quotation or order confirmation. Danfoss cannot accept any responsibility for possible errors in catalogues, brochures, videos and other material. Danfoss reserves the right to alter its products without notice. This also applies to products ordered but not delivered provided that such alterations can be made without changes to form, fit or function of the product.

All trademarks in this material are property of Danfoss A/S or Danfoss group companies. Danfoss and the Danfoss logo are trademarks of Danfoss A/S. All rights reserved.