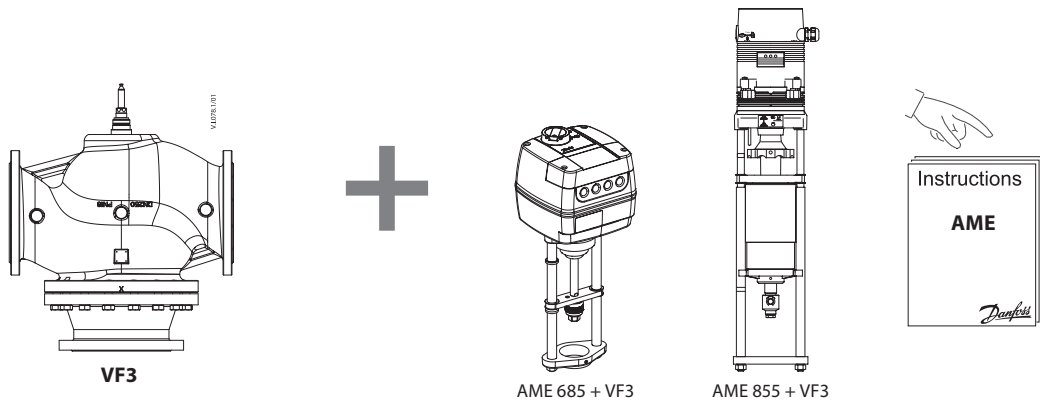
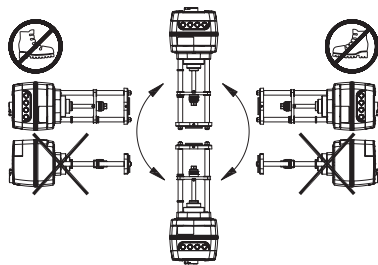


Operating Guide

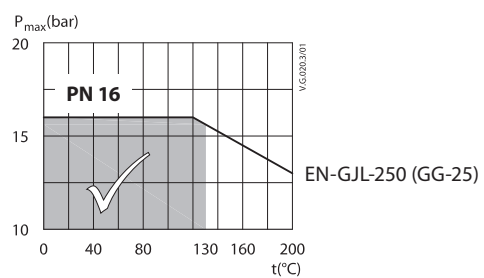
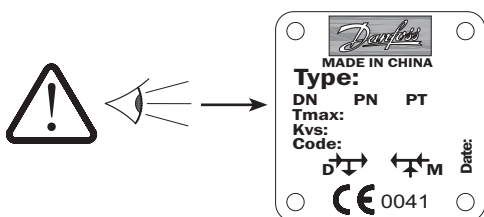
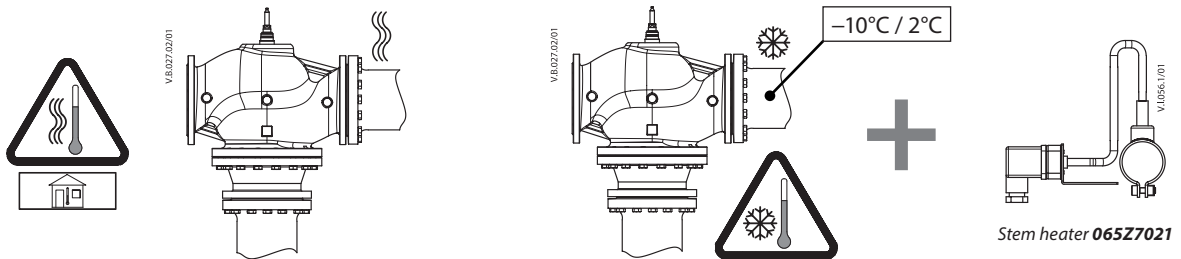
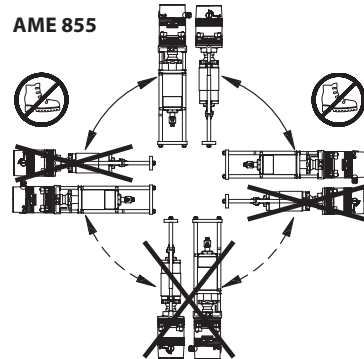
VF3 DN 200-300



AME 685



AME 855

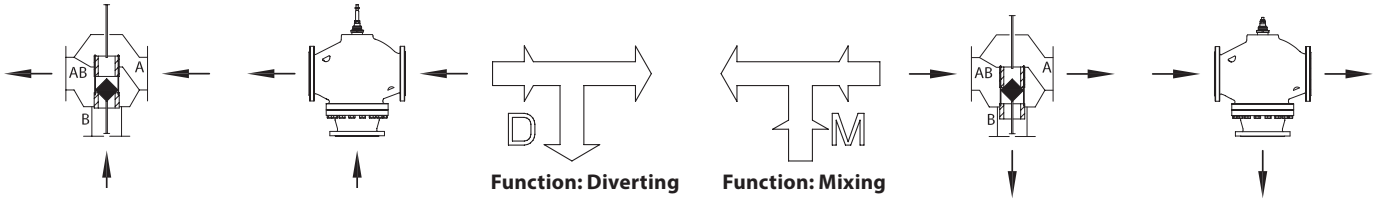


VF3 DN 200-300

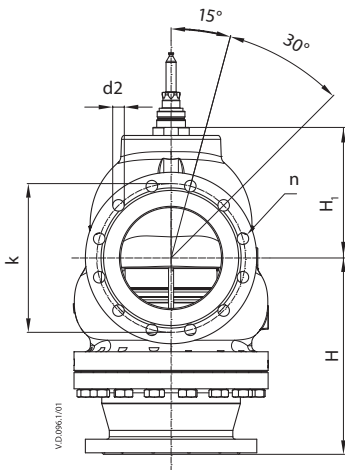


Function: Mixing

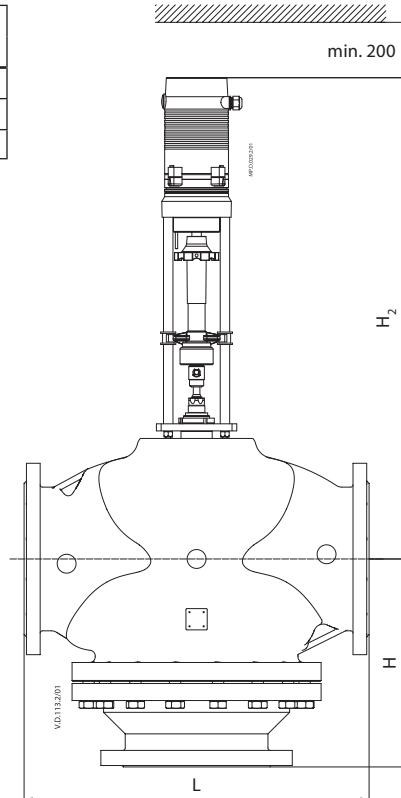
Function: Diverting



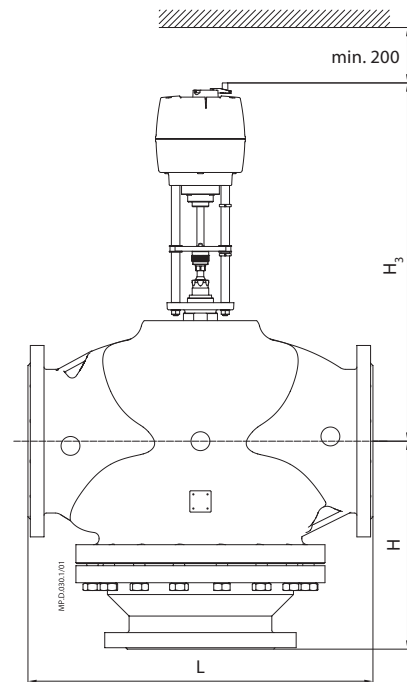
DN	L	H	H ₁	H ₂	H ₃	k	d2	n	
								mm	
200	600	389	259	1006	746	295	23	12	
250	730	440	1080	1018	758	355	26	12	
300	850	490	1093	1051	791	410	28	12	



VF3 (DN 200-300)



AME 855 +
VF3 (DN 200-300)



AME 685 +
VF3 (DN 200-300)

Danfoss can accept no responsibility for possible errors in catalogues, brochures and other printed material. Danfoss reserves the right to alter its products without notice. This also applies to products already on order provided that such alterations can be made without subsequent changes being necessary in specifications already agreed. All trademarks in this material are property of the respective companies. Danfoss and the Danfoss logotype are trademarks of Danfoss A/S. All rights reserved.