

Operating Guide

ChangeOver6

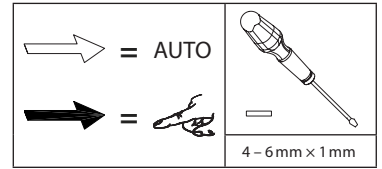
ChangeOver6 Motorized 6-port Ball Valve



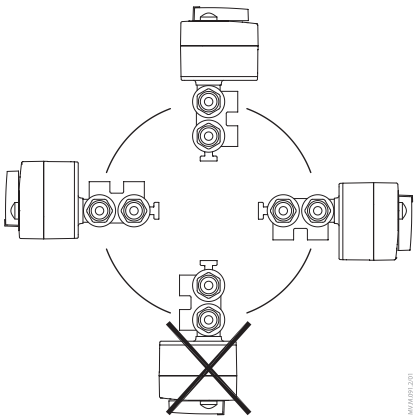
MAINTENANCE
FREE



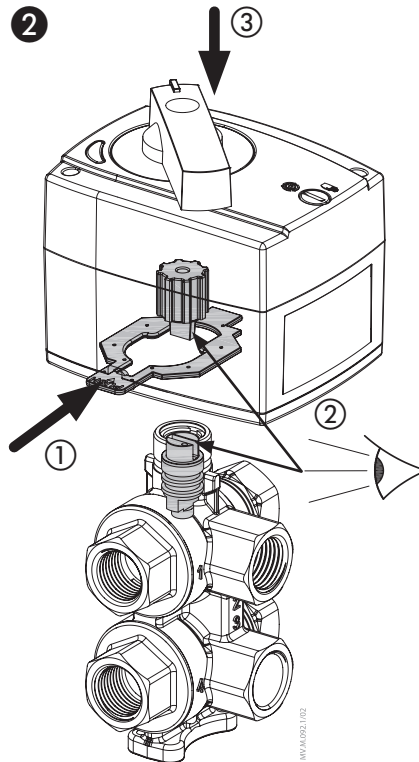
5-95 % RH
no condensing



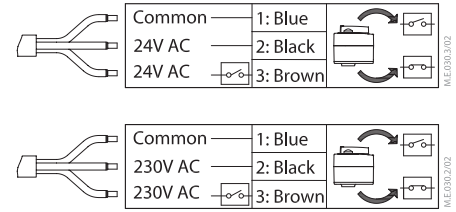
1



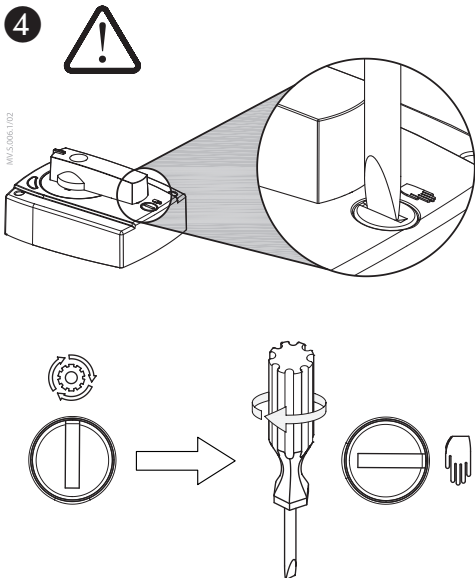
2



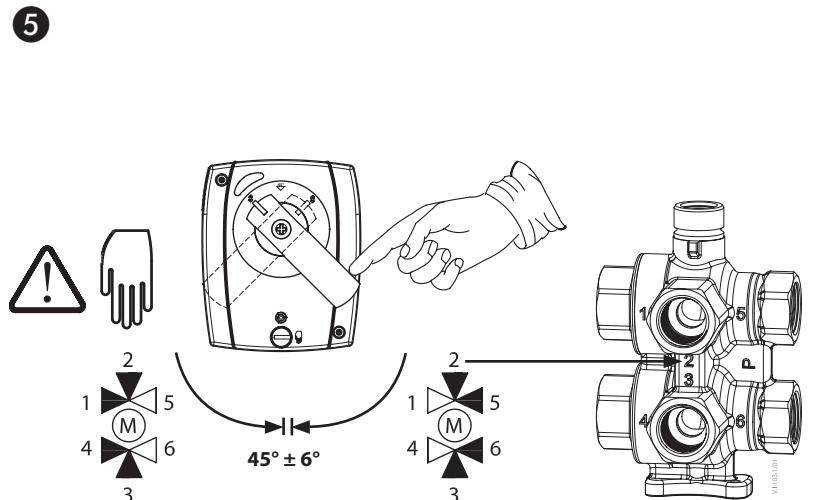
3



4



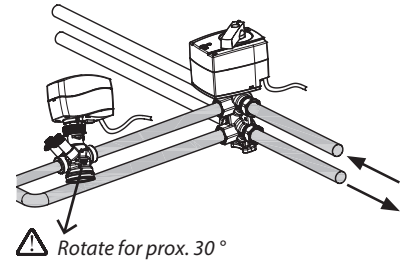
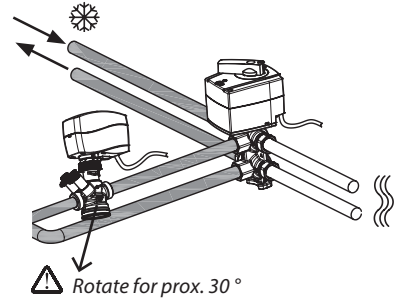
5



ChangeOver⁶

- 6** The 6 ports of the ChangeOver⁶ valve allow the following flow directions.
Die sechs Anschlüsse des Umschaltventils ermöglichen folgende Durchflussrichtungen.
Les 6 orifices de la ChangeOver⁶ permettent d'orienter les débits de la façon suivante.
De 6 poorten van de ChangeOver⁶ maken de volgende flow-richtingen mogelijk.

	Control signal - 0 VAC (brown wire) / 0 VAC - Regelsignaal (braun Kabel) / Signal de régulation 0 VAC (fil brun) / Stuursignaal 0 AVC: (bruine draad) Port 1 to port 2 and port 3 to port 4 Durchfluss von Anschluss 1 zu 2 und Anschluss 3 zu 4 Orifice 1 à orifice 2 et orifice 3 à orifice 4 Poort 1 naar poort 2 en poort 3 naar poort 4
	Control signal - 24(230) VAC (brown wire) / 24(230) VAC - Regelsignaal (braun Kabel) / Signal de régulation 24(230) VAC (fil brun) / Stuursignaal 24(230) AVC: (bruine draad) Port 5 to port 2 and port 3 to port 6 Durchfluss von Anschluss 5 zu 2 und Anschluss 3 zu 6 Orifice 5 à orifice 2 et orifice 3 à orifice 6 Poort 5 naar poort 2 en poort 3 naar poort 6
	Heating or cooling distribution pipes / Verteilerrohre für die Beheizung oder Kühlung / Chauffage ou refroidissement des tuyaux de distribution / Verwarmings- of koelingsdistributieleidingen Ports 1, 4, 5 and 6 Anschluss 1, 4, 5 und 6 Orifices 1, 4, 5 et 6 Poorten 1, 4, 5 en 6
	Terminal unit pipes / Endgeräterohre / Tuyaux de l'unité terminale / Naar afgifte systeem Ports 2 and 3 Anschluss 2 zu 3 Orifices 2 et 3 Poorten 2 en 3



7

Source 1 open Anschluss geöffnet 1 Source 1 ouverte Bron 1 open	Shut off Absperrung Fermeture Afluiten	Source 2 open Anschluss geöffnet 2 Source 2 ouverte Bron 2 open

003Z3154) 230 V

24 V

0 V

Cooling

Close

Heating

24 V

230 V (003Z3154)

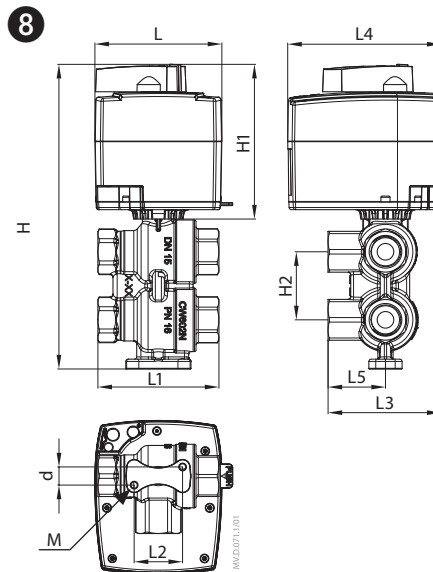
0 V

0°

45° ± 6°

90°

Angle / Winkel / Angle / Hoek



DN	15	20
L	84	
L1	80	92
L2	32	35
L3	82	87
L4	101	
L5	38	46
H	~205 ~225	
H1	~98	
H2	45	60
d	12	
M	M5	

ІМПОРТЕР:

UA: ТОВ з ІІ «Данфосс ТОВ», вул. Вікентія Хвойки, 15/15/6, м. Київ, 04080, Україна

Danfoss A/S

Climate Solutions • danfoss.com • +45 7488 2222

All information, including, but not limited to information on selection of product, its application or use, product design, weight, dimensions, capacity or any other technical data in product manuals, catalogues descriptions, advertisements, etc. and whether made available in writing, orally, electronically, online or via download, shall be considered informative, and is only binding if and to the extent, explicit reference is made in a quotation or order confirmation. Danfoss cannot accept any responsibility for possible errors in catalogues, brochures, videos and other material. Danfoss reserves the right to alter its products without notice. This also applies to products ordered but not delivered provided that such alterations can be made without changes to form, fit or function of the product.

All trademarks in this material are property of Danfoss A/S or Danfoss group companies. Danfoss and the Danfoss logo are trademarks of Danfoss A/S. All rights reserved.