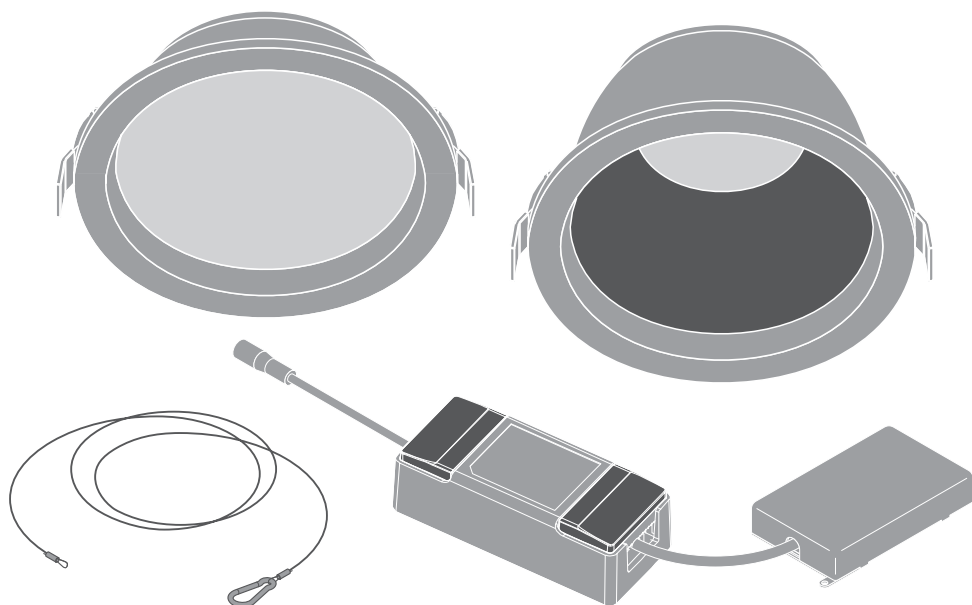





DOWNLIGHT COMFORT HE OPAL

DOWNLIGHT COMFORT HE UGR

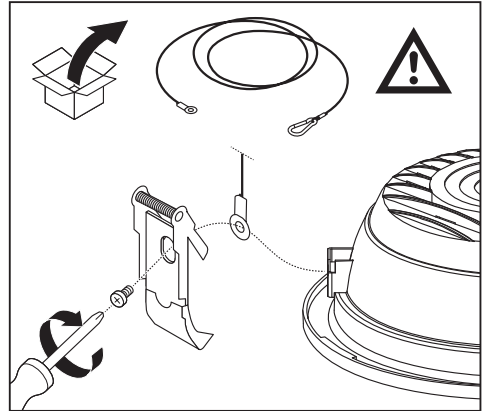
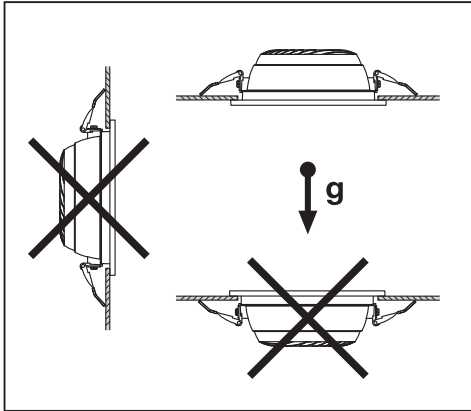



	EAN	Ø x h [mm]	W	V _{AC}	Hz	K	 Ø [mm]
DL CMFT HE D150 P 15W ML 830 U19 WT	4099854686962	160x91.8	15/12/10	220-240V	50/60 Hz	3000	150
DL CMFT HE D150 P 15W ML 840 U19 WT	4099854686986	160x91.8	15/12/10	220-240V	50/60 Hz	4000	150
DL CMFT HE D200 P 25W ML 830 U19 WT	4099854687006	215x116.8	25/20/15	220-240V	50/60 Hz	3000	200
DL CMFT HE D200 P 25W ML 840 U19 WT	4099854687020	215x116.8	25/20/15	220-240V	50/60 Hz	4000	200
DL CMFT HE D250 P 36W ML 830 U19 WT	4099854687044	265x124.1	36/30/25	220-240V	50/60 Hz	3000	250
DL CMFT HE D250 P 36W ML 840 U19 WT	4099854687068	265x124.1	36/30/25	220-240V	50/60 Hz	4000	250
DL CMFT HE D150 P 15W ML 830 OP WT	4099854687204	160x57.1	15/12/10	220-240V	50/60 Hz	3000	150
DL CMFT HE D150 P 15W ML 840 OP WT	4099854687242	160x57.1	15/12/10	220-240V	50/60 Hz	4000	150
DL CMFT HE D200 P 25W ML 830 OP WT	4099854687266	215x58.8	25/20/15	220-240V	50/60 Hz	3000	200
DL CMFT HE D200 P 25W ML 840 OP WT	4099854687297	215x58.8	25/20/15	220-240V	50/60 Hz	4000	200
DL CMFT HE D250 P 36W ML 830 OP WT	4099854687334	265x60.3	36/30/25	220-240V	50/60 Hz	3000	250
DL CMFT HE D250 P 36W ML 840 OP WT	4099854687358	265x60.3	36/30/25	220-240V	50/60 Hz	4000	250

	EAN	IP	IK		R _a	t_{amb} (°C)	PF	
DL CMFT HE D150 P 15W ML 830 U19 WT	4099854686962	44 / 20	03	55°	>80	-20...+40	≥ 0.9	0.3 kg
DL CMFT HE D150 P 15W ML 840 U19 WT	4099854686986	44 / 20	03	55°	>80	-20...+40	≥ 0.9	0.3 kg
DL CMFT HE D200 P 25W ML 830 U19 WT	4099854687006	44 / 20	03	55°	>80	-20...+40	≥ 0.9	0.6 kg
DL CMFT HE D200 P 25W ML 840 U19 WT	4099854687020	44 / 20	03	55°	>80	-20...+40	≥ 0.9	0.6 kg
DL CMFT HE D250 P 36W ML 830 U19 WT	4099854687044	44 / 20	03	60°	>80	-20...+40	≥ 0.9	0.8 kg
DL CMFT HE D250 P 36W ML 840 U19 WT	4099854687068	44 / 20	03	60°	>80	-20...+40	≥ 0.9	0.8 kg
DL CMFT HE D150 P 15W ML 830 OP WT	4099854687204	44 / 20	03	95°	>80	-20...+40	≥ 0.9	0.3 kg
DL CMFT HE D150 P 15W ML 840 OP WT	4099854687242	44 / 20	03	95°	>80	-20...+40	≥ 0.9	0.3 kg
DL CMFT HE D200 P 25W ML 830 OP WT	4099854687266	44 / 20	03	100°	>80	-20...+40	≥ 0.9	0.5 kg
DL CMFT HE D200 P 25W ML 840 OP WT	4099854687297	44 / 20	03	100°	>80	-20...+40	≥ 0.9	0.5 kg
DL CMFT HE D250 P 36W ML 830 OP WT	4099854687334	44 / 20	03	100°	>80	-20...+40	≥ 0.9	0.7 kg
DL CMFT HE D250 P 36W ML 840 OP WT	4099854687358	44 / 20	03	100°	>80	-20...+40	≥ 0.9	0.7 kg

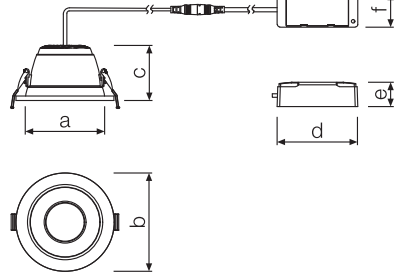
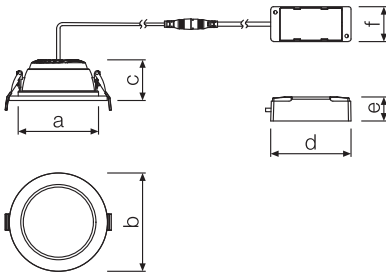
DOWNLIGHT COMFORT HE OPAL


DOWNLIGHT COMFORT HE UGR



OPAL ON-OFF

UGR ON-OFF



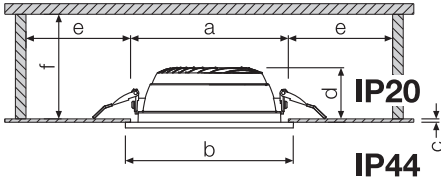
	 [a]	b	c	d	e	f
DL CMFT HE D150 P 15W ML 830 U19 WT	ø 150mm	ø 160mm	91.8mm	95.1mm	28.5mm	41.4mm
DL CMFT HE D150 P 15W ML 840 U19 WT	ø 150mm	ø 160mm	91.8mm	95.1mm	28.5mm	41.4mm
DL CMFT HE D200 P 25W ML 830 U19 WT	ø 200mm	ø 215mm	116.8mm	120mm	28.5mm	41.4mm
DL CMFT HE D200 P 25W ML 840 U19 WT	ø 200mm	ø 215mm	116.8mm	120mm	28.5mm	41.4mm
DL CMFT HE D250 P 36W ML 830 U19 WT	ø 250mm	ø 265mm	124.1mm	120mm	28.5mm	41.4mm
DL CMFT HE D250 P 36W ML 840 U19 WT	ø 250mm	ø 265mm	124.1mm	120mm	28.5mm	41.4mm
DL CMFT HE D150 P 15W ML 830 OP WT	ø 150mm	ø 160mm	57.1mm	95.1mm	28.5mm	41.4mm
DL CMFT HE D150 P 15W ML 840 OP WT	ø 150mm	ø 160mm	57.1mm	95.1mm	28.5mm	41.4mm
DL CMFT HE D200 P 25W ML 830 OP WT	ø 200mm	ø 215mm	58.8mm	120mm	28.5mm	41.4mm
DL CMFT HE D200 P 25W ML 840 OP WT	ø 200mm	ø 215mm	58.8mm	120mm	28.5mm	41.4mm
DL CMFT HE D250 P 36W ML 830 OP WT	ø 250mm	ø 265mm	60.3mm	120mm	28.5mm	41.4mm
DL CMFT HE D250 P 36W ML 840 OP WT	ø 250mm	ø 265mm	60.3mm	120mm	28.5mm	41.4mm

DOWNLIGHT COMFORT HE OPAL

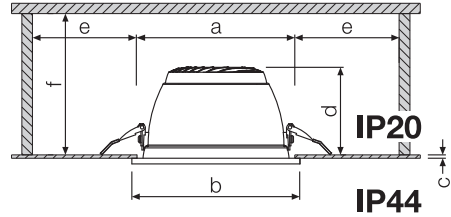
DOWNLIGHT COMFORT HE UGR



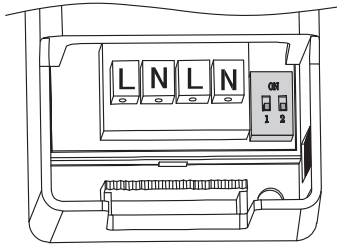
OPAL ON-OFF



UGR ON-OFF



	☑ [a]	b	c	d	e	f
DL CMFT HE D150 P 15W ML 830 U19 WT	150 mm	160 mm	5-25 mm	86.5 mm	≥400 mm	≥137 mm
DL CMFT HE D150 P 15W ML 840 U19 WT	150 mm	160 mm	5-25 mm	86.5 mm	≥400 mm	≥137 mm
DL CMFT HE D200 P 25W ML 830 U19 WT	200 mm	215 mm	5-35 mm	111.5 mm	≥400 mm	≥162 mm
DL CMFT HE D200 P 25W ML 840 U19 WT	200 mm	215 mm	5-35 mm	111.5 mm	≥400 mm	≥162 mm
DL CMFT HE D250 P 36W ML 830 U19 WT	250 mm	265 mm	5-35 mm	118.8 mm	≥400 mm	≥169 mm
DL CMFT HE D250 P 36W ML 840 U19 WT	250 mm	265 mm	5-35 mm	118.8 mm	≥400 mm	≥169 mm
DL CMFT HE D150 P 15W ML 830 OP WT	150 mm	160 mm	5-25 mm	51.8 mm	≥400 mm	≥102 mm
DL CMFT HE D150 P 15W ML 840 OP WT	150 mm	160 mm	5-25 mm	51.8 mm	≥400 mm	≥102 mm
DL CMFT HE D200 P 25W ML 830 OP WT	200 mm	215 mm	5-35 mm	53.5 mm	≥400 mm	≥104 mm
DL CMFT HE D200 P 25W ML 840 OP WT	200 mm	215 mm	5-35 mm	53.5 mm	≥400 mm	≥104 mm
DL CMFT HE D250 P 36W ML 830 OP WT	250 mm	265 mm	5-35 mm	55 mm	≥400 mm	≥105 mm
DL CMFT HE D250 P 36W ML 840 OP WT	250 mm	265 mm	5-35 mm	55 mm	≥400 mm	≥105 mm



DL CMFT HE D250 P 36W ML 830 U19 WT

T (Kelvin)	3000		
W _{AC}	36	30	25
Im	4860	4050	3375
Im/W	135	135	135

DL CMFT HE D250 P 36W ML 840 U19 WT

T (Kelvin)	4000		
W _{AC}	36	30	25
Im	5220	4350	3750
Im/W	145	145	150

DL CMFT HE D150 P 15W ML 830 OP WT

T (Kelvin)	3000		
W _{AC}	15	12	10
Im	2025	1680	1400
Im/W	135	140	140

DL CMFT HE D150 P 15W ML 840 OP WT

T (Kelvin)	4000		
W _{AC}	15	12	10
Im	2175	1800	1500
Im/W	145	150	150

DL CMFT HE D150 P 15W ML 830 U19 WT

T (Kelvin)	3000		
W _{AC}	15	12	10
Im	1950	1620	1350
Im/W	130	135	135

DL CMFT HE D150 P 15W ML 840 U19 WT

T (Kelvin)	4000		
W _{AC}	15	12	10
Im	2100	1680	1400
Im/W	140	140	140

DL CMFT HE D200 P 25W ML 830 OP WT

T (Kelvin)	3000		
W _{AC}	25	20	15
Im	3625	2900	2250
Im/W	145	145	150

DL CMFT HE D200 P 25W ML 840 OP WT

T (Kelvin)	4000		
W _{AC}	25	20	15
Im	3750	3100	2325
Im/W	150	155	155

DL CMFT HE D200 P 25W ML 830 U19 WT

T (Kelvin)	3000		
W _{AC}	25	20	15
Im	3250	2700	2025
Im/W	130	135	135

DL CMFT HE D200 P 25W ML 840 U19 WT

T (Kelvin)	4000		
W _{AC}	25	20	15
Im	3625	2900	2175
Im/W	145	145	145

DL CMFT HE D250 P 36W ML 830 OP WT

T (Kelvin)	3000		
W _{AC}	36	30	25
Im	5220	4350	3750
Im/W	145	145	150

DL CMFT HE D250 P 36W ML 840 OP WT

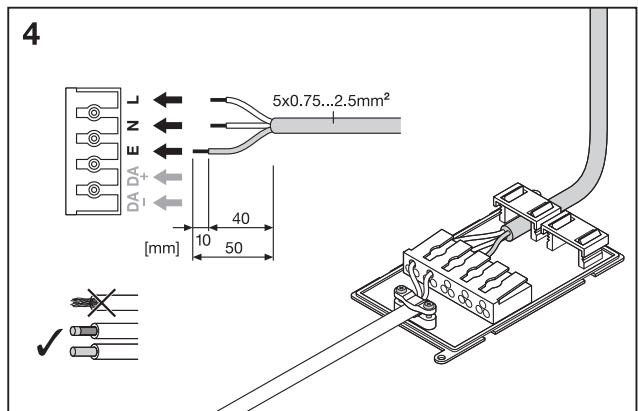
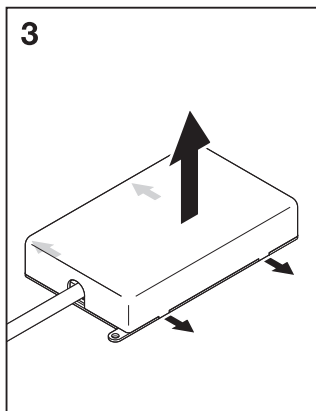
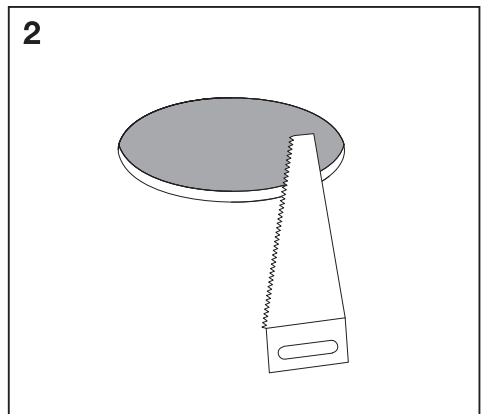
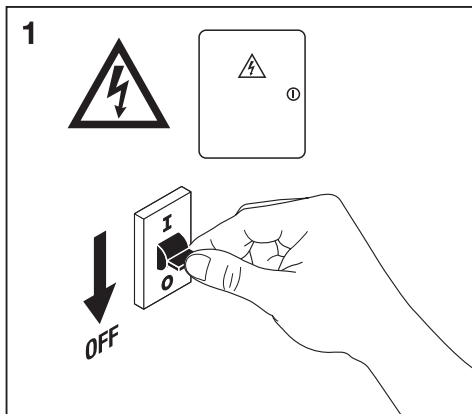
T (Kelvin)	4000		
W _{AC}	36	30	25
Im	5580	4650	4000
Im/W	155	155	160

DOWNLIGHT COMFORT HE OPAL

DOWNLIGHT COMFORT HE UGR

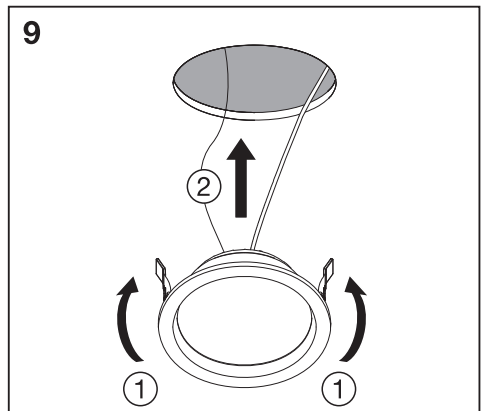
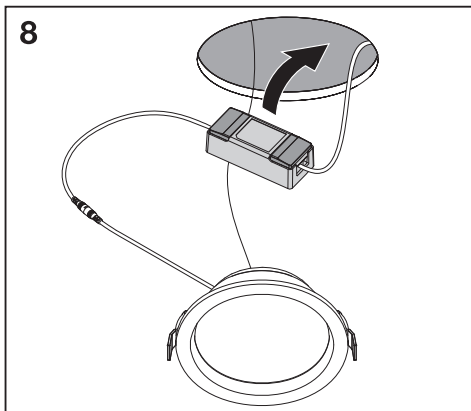
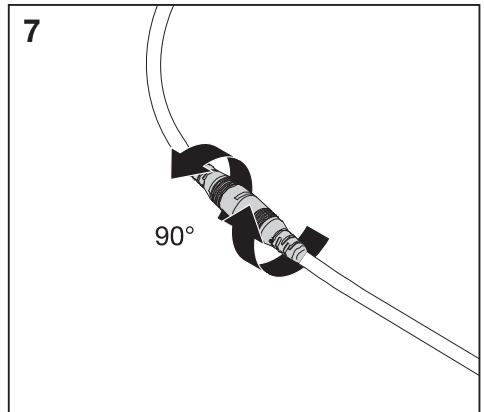
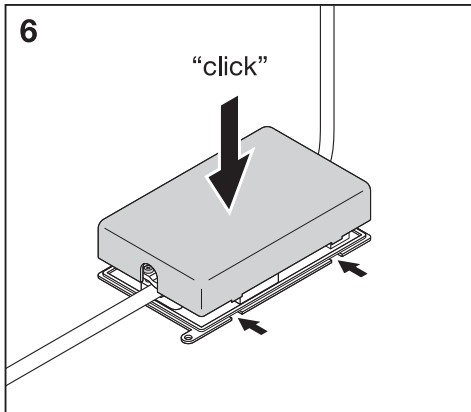
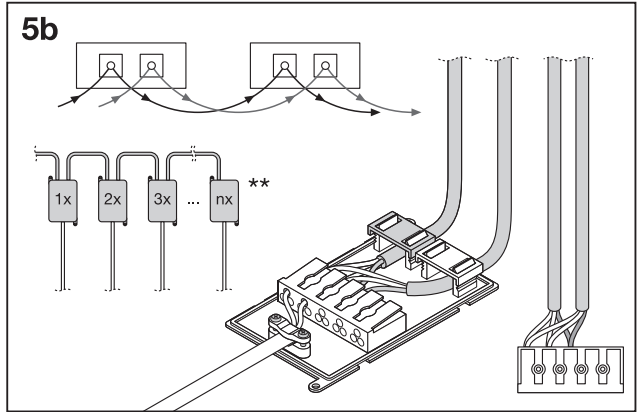
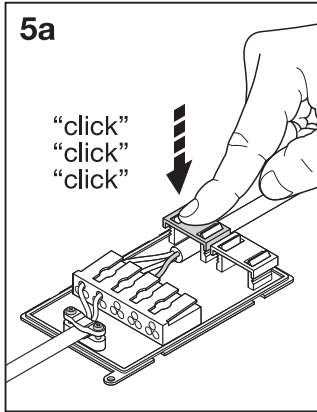


	Power ¹⁾ (W)	Current ²⁾ (mA)	Switch position ³⁾	
			1	2
DL CMFT HE D150	10 W	250mA	OFF	OFF
	12 W	300mA	ON	OFF
	15 W	350mA	ON	ON
DL CMFT HE D200	15 W	380mA	OFF	OFF
	20 W	500mA	ON	OFF
	25 W	600mA	ON	ON
DL CMFT HE D250]	25 W	650mA	OFF	OFF
	30 W	750mA	ON	OFF
	36 W	900mA	ON	ON



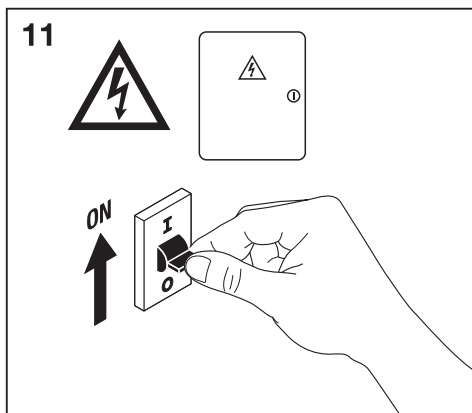
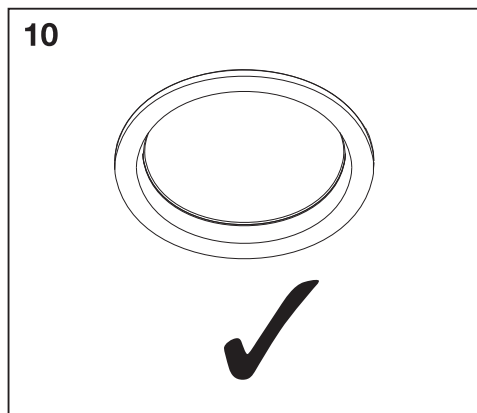

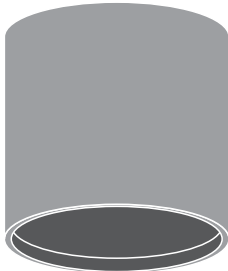
DOWNLIGHT COMFORT HE OPAL

DOWNLIGHT COMFORT HE UGR


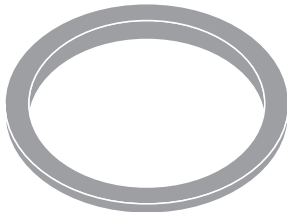


DOWNLIGHT COMFORT HE OPAL

DOWNLIGHT COMFORT HE UGR

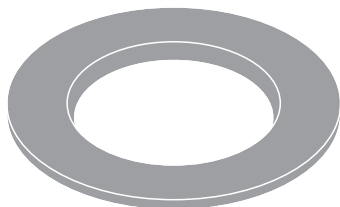
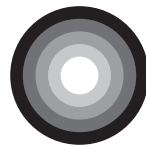
	EAN	Ø x h [mm]	👤
DL CMFT FRAME D100 WT	4099854499906	116 x 120	0.4 kg
DL CMFT FRAME D150 WT	4099854499968	160 x 150	0.6 kg
DL CMFT FRAME D200 WT	4099854500022	215 x 184	1.1 kg
DL CMFT FRAME D250 WT	4099854500145	265 x 190	1.6 kg
DL CMFT FRAME D100 BK	4099854499920	116 x 120	0.4 kg
DL CMFT FRAME D150 BK	4099854499982	160 x 150	0.6 kg
DL CMFT FRAME D200 BK	4099854500046	215 x 184	1.1 kg
DL CMFT FRAME D250 BK	4099854500169	265 x 190	1.6 kg
DL CMFT FRAME D100 GY	4099854499944	116 x 120	0.4 kg
DL CMFT FRAME D150 GY	4099854500008	160 x 150	0.6 kg
DL CMFT FRAME D200 GY	4099854500060	215 x 184	1.1 kg
DL CMFT FRAME D250 GY	4099854500183	265 x 190	1.6 kg

	EAN	Ø x h [mm]	👤
DL CMFT EXCH RING D100 BK	4099854515286	116 x 8.0	0.03 kg
DL CMFT EXCH RING D150 BK	4099854515316	160 x 12.4	0.05 kg
DL CMFT EXCH RING D200 BK	4099854515347	215 x 12.4	0.09 kg
DL CMFT EXCH RING D250 BK	4099854515378	265 x 12.4	0.1 kg
DL CMFT EXCH RING D100 GY	4099854515408	116 x 8.0	0.03 kg
DL CMFT EXCH RING D150 GY	4099854515439	160 x 12.4	0.05 kg
DL CMFT EXCH RING D200 GY	4099854515460	215 x 12.4	0.09 kg
DL CMFT EXCH RING D250 GY	4099854515491	265 x 12.4	0.1 kg

DOWNLIGHT COMFORT HE OPAL

DOWNLIGHT COMFORT HE UGR



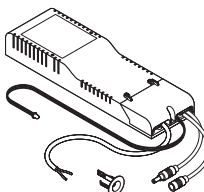
	EAN	Ø x h [mm]	Ⓜ
DL CMFT EXT RING D190 WT	4099854687723	190 x 12	0,1 kg
DL CMFT EXT RING D190 BK	4099854687570	190 x 12	0,1 kg
DL CMFT EXT RING D190 GY	4099854687600	190 x 12	0,1 kg
DL CMFT EXT RING D240 WT	4099854687631	240 x 12	0,1 kg
DL CMFT EXT RING D240 BK	4099854687662	240 x 12	0,1 kg
DL CMFT EXT RING D240 GY	4099854687693	240 x 12	0,1 kg

EMERGENCY CONVERSION BOX

TEMPERATURE SENSOR

EAN 4099854455933

EM (Conversion Kit) 4000K			EM (Conversion Kit) 3000K		
UGR	EM W*	EM lm*	UGR	EM W*	EM lm*
D150	3	360	D150	3	350
D200	3	370	D200	3	360
D250	3	385	D250	3	365
OPAL			OPAL		
D150	3	390	D150	3	375
D200	3	400	D200	3	390
D250	3	410	D250	3	395



* Ⓜ Leuchten mit zusätzlichen Notstrom-Anforderungen gemäß EN 60598-2-22 zertifiziert (gilt nicht für Frankreich und Dänemark). Ⓜ Luminaires certified including the additional emergency requirements of EN 60598-2-22 (not applicable for France and Denmark). Ⓜ Luminaires homologués conformément aux exigences supplémentaires de la norme EN 60598-2-22 en matière d'éclairage de secours (ne s'applique pas pour la France et le Danemark). Ⓜ Impianti di illuminazione certificati includendo i requisiti aggiuntivi di emergenza di EN 60598-2-22 (non applicabili a Francia e Danimarca). Ⓜ Lámparas certificadas incluyendo los requisitos de emergencia adicionales de EN 60598-2-22 (no aplicable para Francia y Dinamarca). Ⓜ Luminárias certificadas, incluindo os requisitos de emergência adicionais da norma EN 60598-2-22 (não se aplica para França e Dinamarca). Ⓜ Φωτιστικά

σώματα πιστοποιημένα περιλαμβανομένων των πρόσθετων απαιτήσεων έκτακτης ανάγκης του EN 60598-2-22 (δεν έχει εφαρμογή για Γαλλία και Δανία). Ⓜ Ge-certificeerde lampen die voldoen aan de bijzondere eisen van NBN-EN-IEC 60598-2-22 verlichtingsarmaturen voor noodverlichting (geldt niet voor Frankrijk en Denemarken). Ⓜ Ljusarmaturerna är certifierade inklusive Nödbelysningskraven i EN 60598-2-22 (ej tillämpbart för Frankrike och Danmark). Ⓜ Valaisimet on sertifioitu EN 60598-2-22 -normin turvalaisimia koskevien lisämääräysten mukaan (ei koske Ranskaa ja Tanskaa). Ⓜ Armaturer sertifisert inkludert tilleggskrav til noddusjsoener i henhold til EN 60598-2-22 (gjelder ikke Frankrike og Danmark). Ⓜ Armaturer certificeret med ekstra nødkrav iht. EN 60598-2-22 (gælder ikke for Frankrig og Danmark). Ⓜ Světidla certifikovaná s dodatečnými požadavky na nouzový proud podle normy EN 60598-2-22 (neplatí pro Francii a Dánsko). Ⓜ Светильники сертифицированы с учетом дополнительных аварийных требований стандарта EN 60598-2-22 (не применимо для Франции и Дании). Ⓜ A lámpatestek az EN 60598-2-22 szabvány kiegészítő vészhelyzeti előírásait is figyelembe véve tanúsítottak (Franciaország és Dánia esetén nem érvényes). Ⓜ Oprawy oświetleniowe z certyfikatem potwierdzającym spełnienie dodatkowych wymagań dotyczących oświetlenia awaryjnego zgodnie z normą EN 60598-2-22 (nie dotyczy Francji i Danii). Ⓜ Certifikované světidla vrátane dodatočných núdzových požiadaviek normy EN 60598-2-22 (neplatí pre Francúzsko a Dánsko). Ⓜ Svetilke z dodatnimi zahtevami glede napajanja v sili, certificirane v skladu z EN 60598-2-22 (ne velja za Francijo in Dansko). Ⓜ EN 60598-2-22 sayılı standardin ek acil gerekliliklerini içeren sertifikallı armatürler (Fransa ve Danimarka için geçerli değildir). Ⓜ Certificirana rasvjetna tijela uključujući dodatne zahtjeve u slučaju opasnosti sukladno normi EN 60598-2-22 (nije primjenjivo za Francusku i Dansku). Ⓜ Corpuri de iluminat certificate inclusiv pentru cerințele suplimentare de urgență din EN 60598-2-22 (neaplicabile pentru Franța și Danemarca). Ⓜ Осветительные тела, сертифицируемые дополнительно с учетом дополнительных требований к аварийному освещению по EN 60598-2-22 (не се отнася за Франция и Дания). Ⓜ Valgustid, mis on sertifitseeritud muuhulgas vastavalt standardiga EN 60598-2-22 kehtestatud hädavalgustuse erinõuete osas (ei kehti Prantsusmaa ja Taani korral). Ⓜ Šviestuvai sertifikuoti, įskaitant papildomus išskirtinius reikalavimus pagal EN 60598-2-22 (netaikoma Prancūzijai ir Danijai). Ⓜ Gaismekli certifiéti, tostarp iekļaujot EN 60598-2-22 papildu ārkārtas prasības (neattiecas uz Franciju un Dāniju). Ⓜ Sertifikovane svetiljke, uključujući i dodatne zahteve za hitne slučajeve u skladu sa EN 60598-2-22 (ne važi za Francusku i Dansku). Ⓜ Светильники сертифицировані з урахуванням додаткових вимог щодо світільників для аварійного освітлення згідно зі стандартом EN 60598-2-22 (не діє для Франції та Данії). Ⓜ Бул шамдалар EN 60598-2-22 стандартының қосымша төтенше талаптарына сай сертификатталған (Франция мен Дания үшін қолданылмайды).

