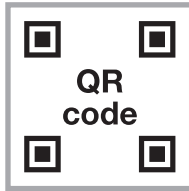
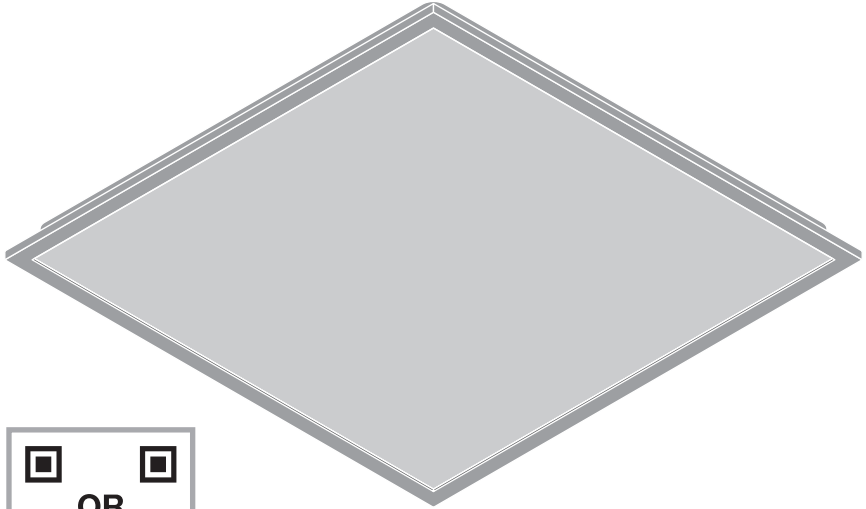
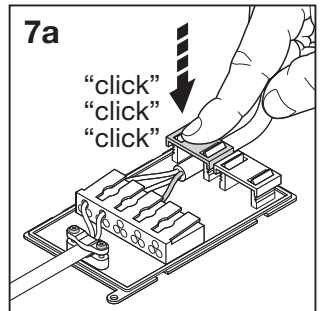
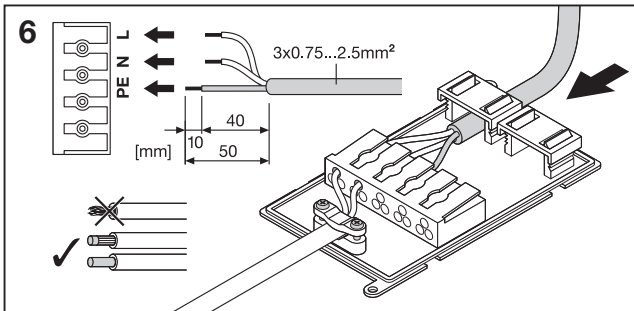
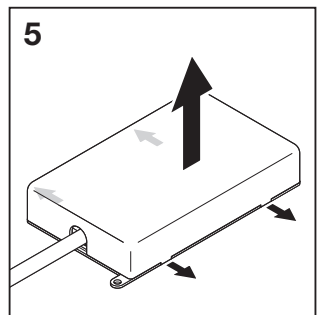
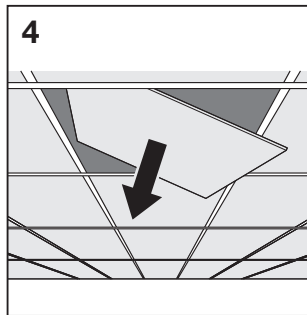
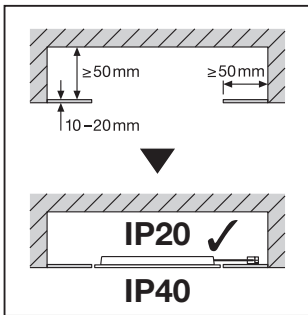
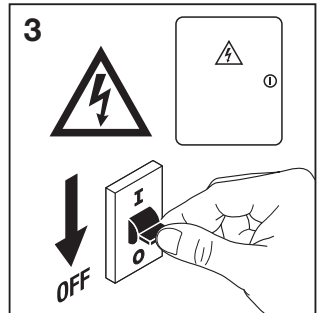
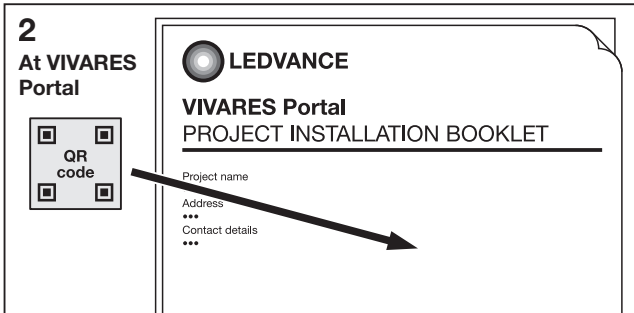
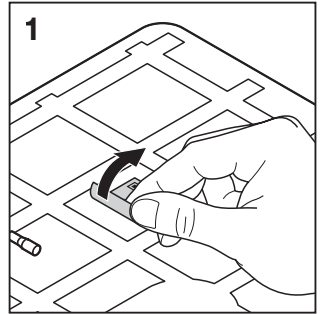
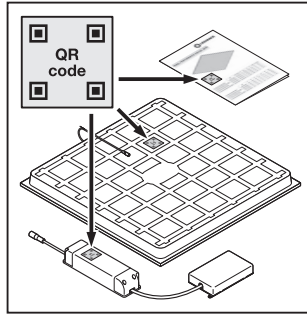
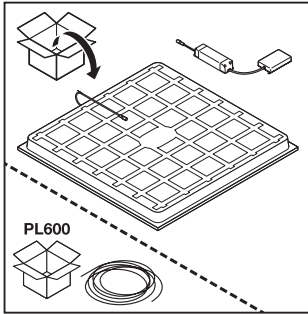


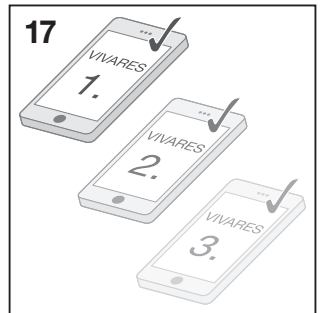
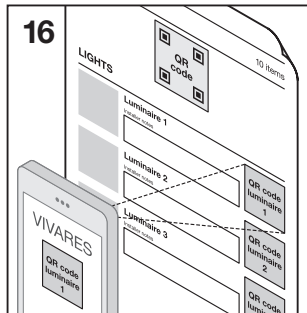
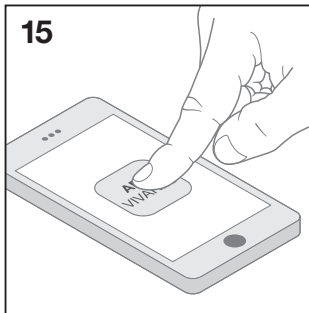
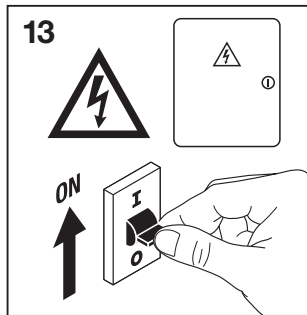
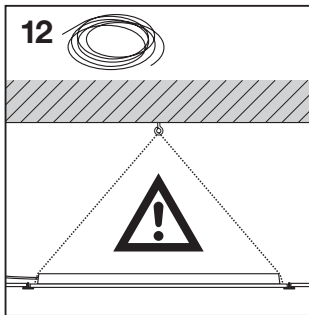
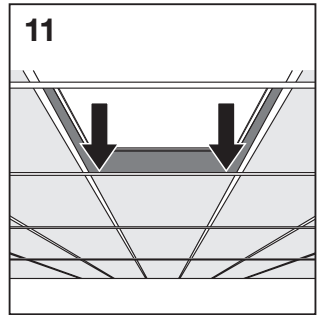
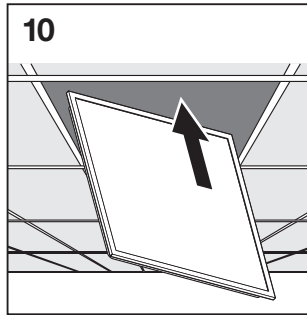
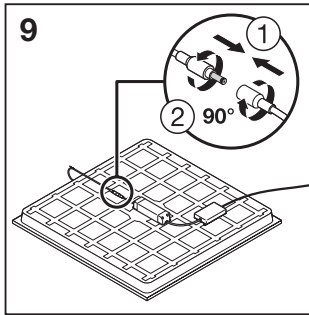
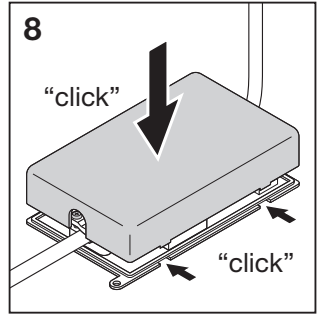
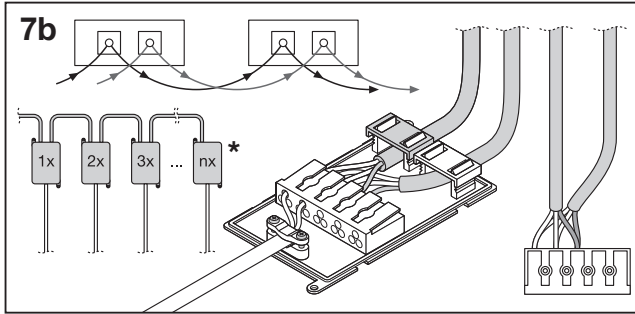
PANEL PERFORMANCE 600/625 ZBVR



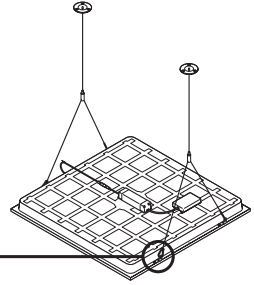
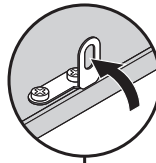
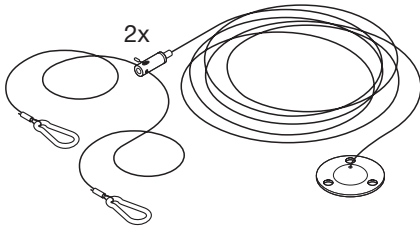
	EAN	l x w x h [mm]	W	V _{AC}	Hz	lm	lm/W	Φ _{use} (lm)
PL PFM 600 36W/4000K ZBVR	4058075522824	595 x 595 x 32	36	220-240	50/60	4320	120	4320
PL PFM 600 36W/4000K UGR19 ZBVR	4058075522862	595 x 595 x 32	36	220-240	50/60	4320	120	3700
PL PFM 625 36W/4000K ZBVR	4058075522848	620 x 620 x 32	36	220-240	50/60	4320	120	4320
PL PFM 625 36W/4000K UGR19 ZBVR	4058075522886	620 x 620 x 32	36	220-240	50/60	4320	120	3700

	EAN	K	IP	∠	R _a	ⓘ (°C)	PF	👤
PL PFM 600 36W/4000K ZBVR	4058075522824	4000	40/20	120°	>80	-10...+50	>0.95	1.7kg
PL PFM 600 36W/4000K UGR19 ZBVR	4058075522862	4000	40/20	90°	>80	-10...+50	>0.95	1.9kg
PL PFM 625 36W/4000K ZBVR	4058075522848	4000	40/20	120°	>80	-10...+50	>0.95	1.8kg
PL PFM 625 36W/4000K UGR19 ZBVR	4058075522886	4000	40/20	90°	>80	-10...+50	>0.95	2.1kg

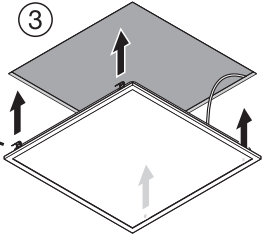
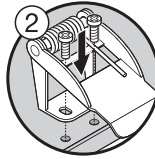
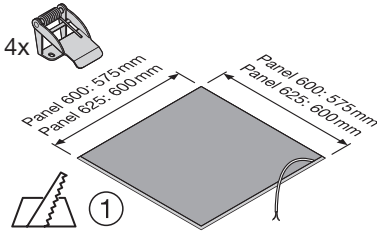




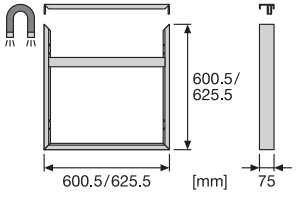
SUSPENSION KIT
EAN 4058075402928



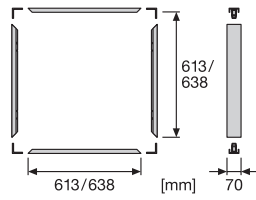
RECESSED MOUNT CLIPS VALUE
EAN 4058075409859



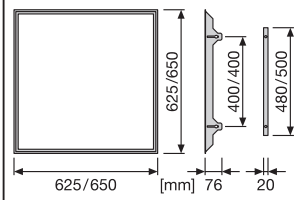
PL 600 SURFACE MOUNT KIT H75
EAN 4058075472914
PL 625 SURFACE MOUNT KIT H75
EAN 4058075472938



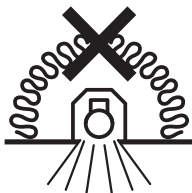
PL 600 SURFACE MOUNT KIT H70 VAL
EAN 4058075402843
PL 625 SURFACE MOUNT KIT H70 VAL
EAN 4058075402867



PL 600 RECESSED MOUNT FRAME
EAN 4058075402881
PL 625 RECESSED MOUNT FRAME
EAN 4058075402904



	*C10A	*B16A	*C16A	ZigBee driver	I _{OUT} [mA]	ZigBee DIM
PL PFM 600 36W/4000K ZBVR	n = 10	n = 11	n = 16	LC ZB 44/220-240/PL600	750	✓
PL PFM 600 36W/4000K UGR19 ZBVR	n = 10	n = 11	n = 16	LC ZB 44/220-240/PL600UGR	750	✓
PL PFM 625 36W/4000K ZBVR	n = 10	n = 11	n = 16	LC ZB 44/220-240/PL625	750	✓
PL PFM 625 36W/4000K UGR19 ZBVR	n = 10	n = 11	n = 16	LC ZB 44/220-240/PL625UGR	750	✓



RoHS



C10449057
G11101869
04.09.20



LEDVANCE GmbH
Steinerne Furt 62
86167 Augsburg, Germany
www.ledvance.com