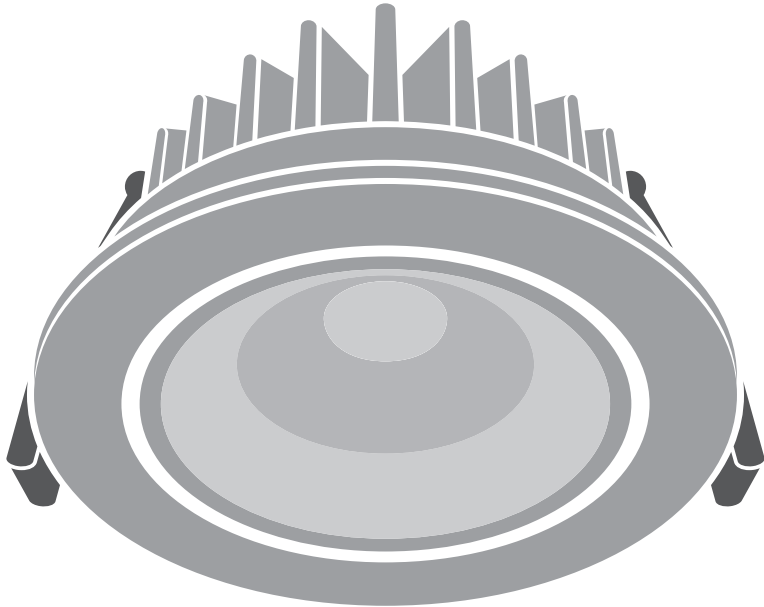


---

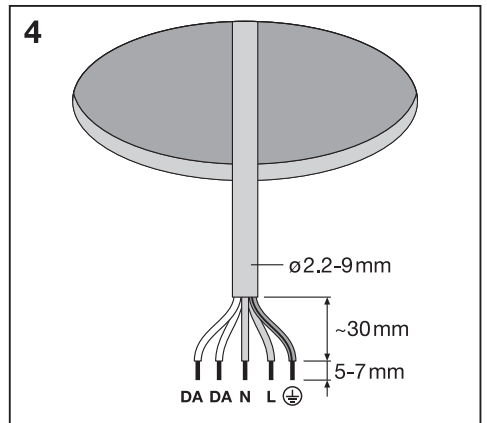
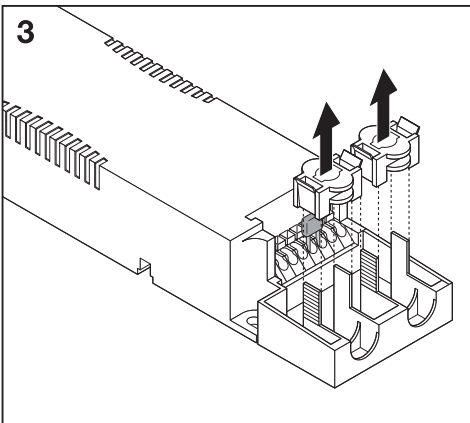
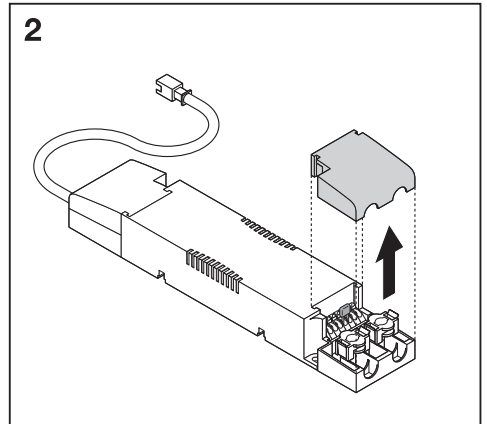
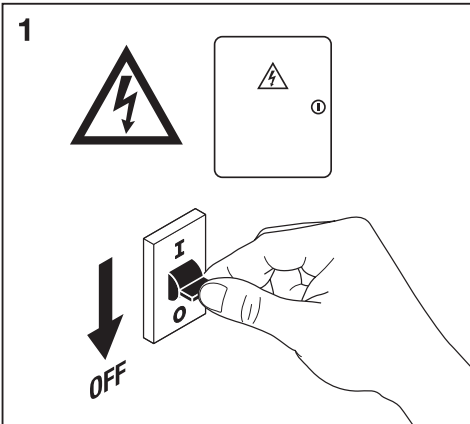
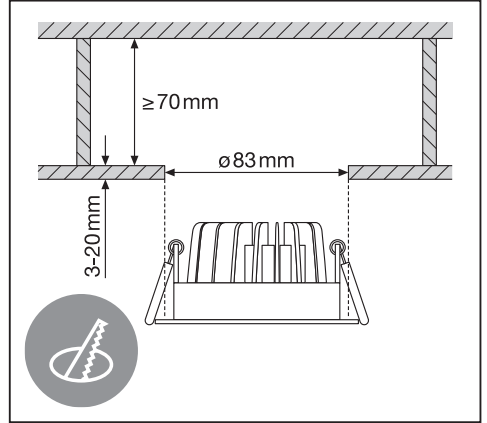
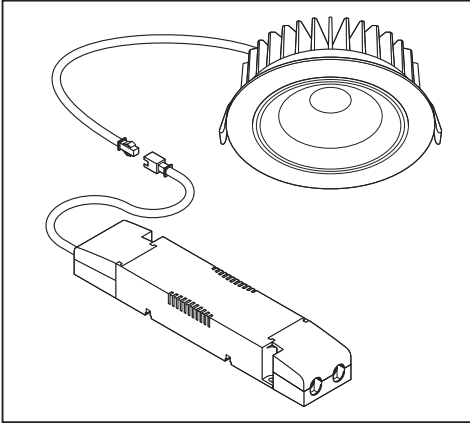
**SPOT LED DALI ADJUST**

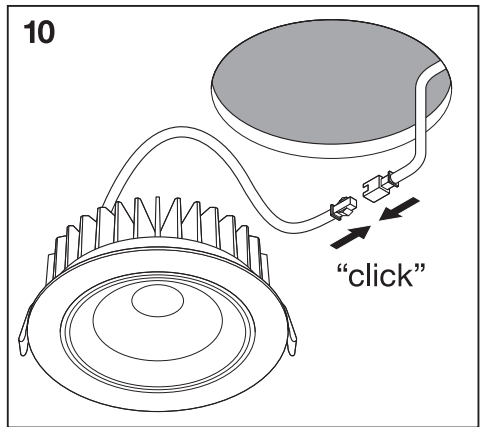
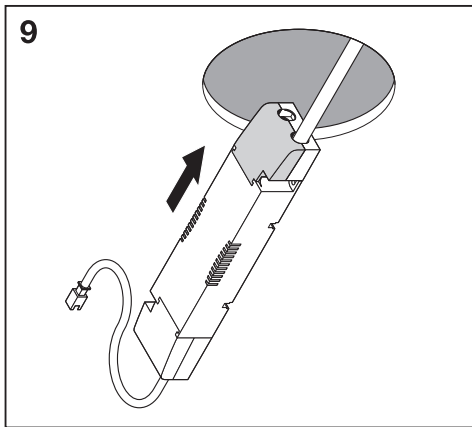
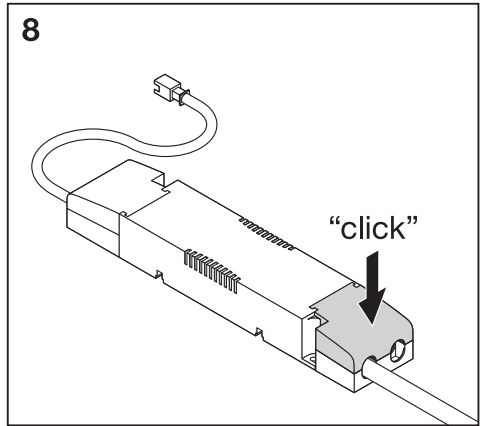
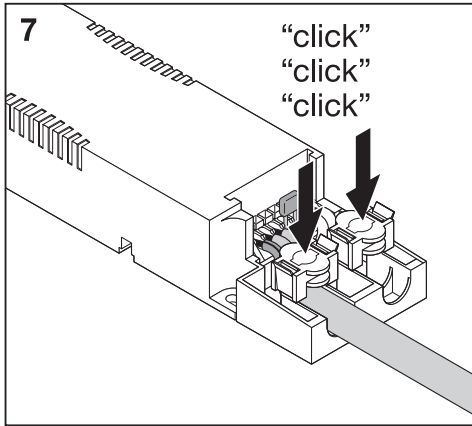
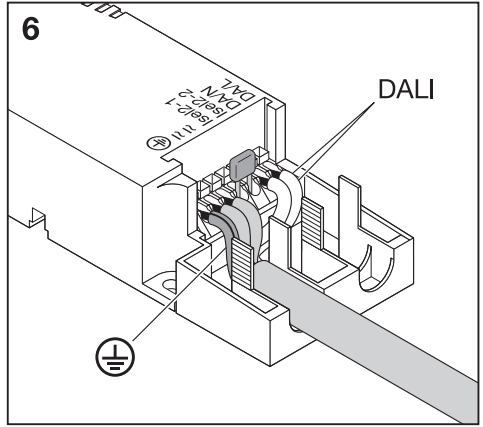
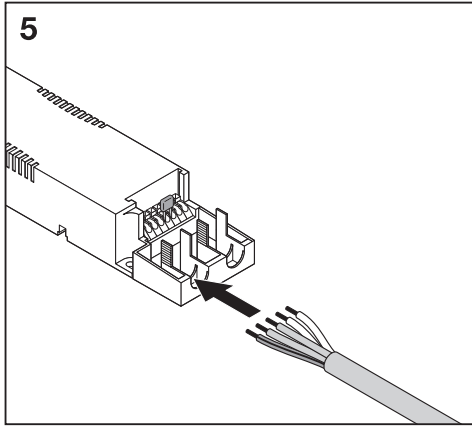

---

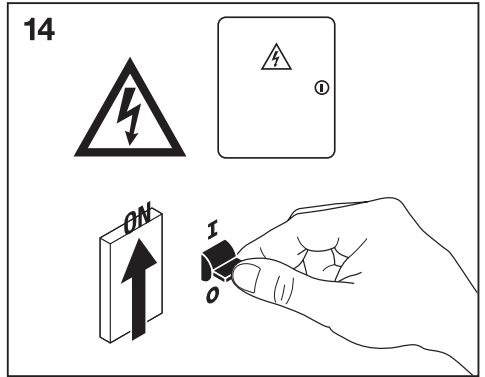
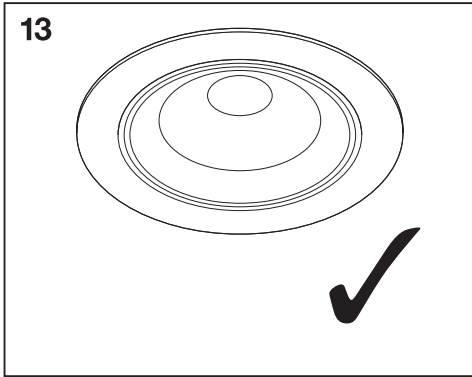
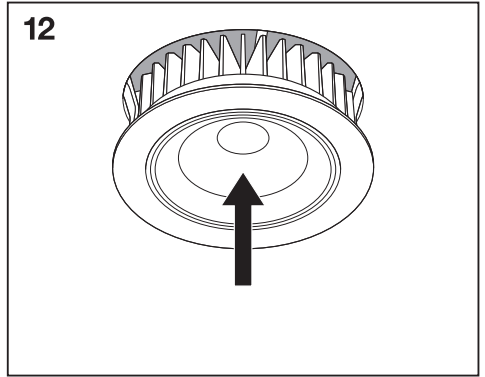
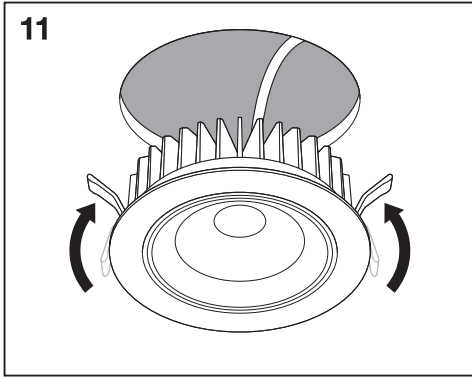


	EAN	Ø x h [mm]	W	V <sub>AC</sub>	Hz	Im	W (230V DC)	Im (230V DC)
SPOT LED DALI ADJUST 8W/3000K	4058075219946	90 x 47	8	220-240V	0/50/60 Hz	660	3	120
SPOT LED DALI ADJUST 8W/4000K	4058075219922	90 x 47	8	220-240V	0/50/60 Hz	720	3	120

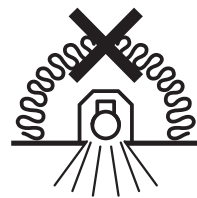
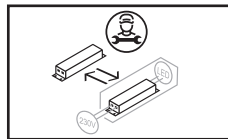
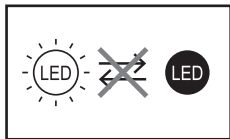
	EAN	Im/W	K	IP	IK	∇	R <sub>a</sub>	⊡ (°C)	PF	👤
SPOT LED DALI ADJUST 8W/3000K	4058075219946	85	3000	20	06	36°	>80	-20...+45	>0.9	0.2 kg
SPOT LED DALI ADJUST 8W/4000K	4058075219922	90	4000	20	06	36°	>80	-20...+45	>0.9	0.2 kg







C10A	B16A	C16A	DALI	I <sub>OUT</sub> [mA]	R <sub>I-SELECT</sub> [Ω]
40	38	64	LCA 10W 150 – 400 mA one4all SC PRE	180	27 k



C10449057  
G11068391V2  
26.03.2021



LEDVANCE GmbH  
Steinerne Furt 62  
86167 Augsburg, Germany  
[www.ledvance.com](http://www.ledvance.com)