

---



---

## SURFACE CIRCULAR

---



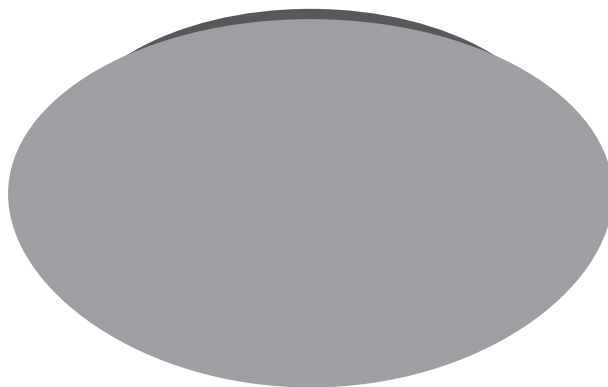
---



---

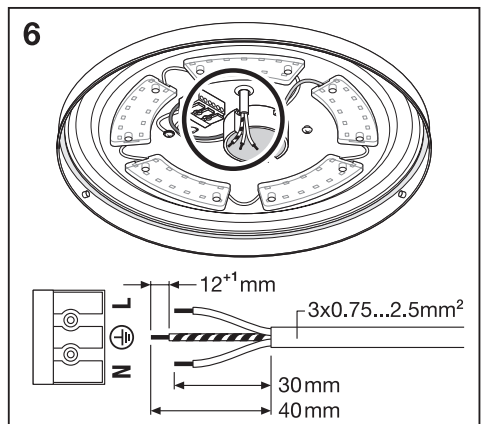
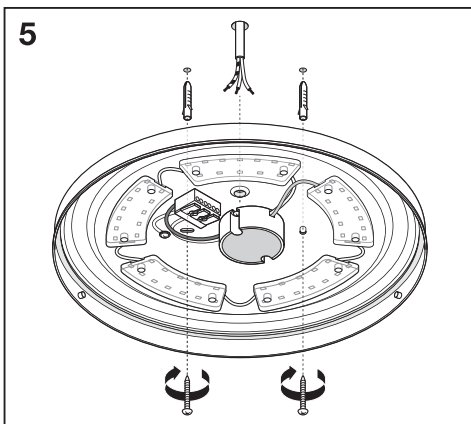
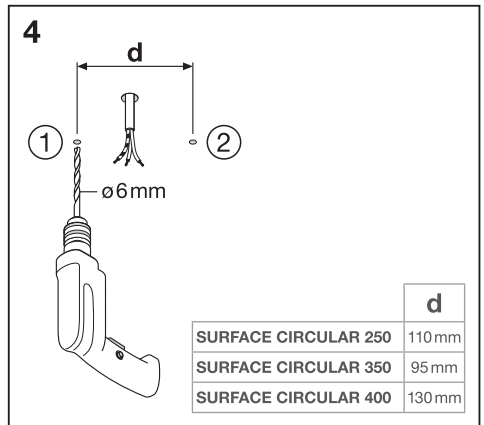
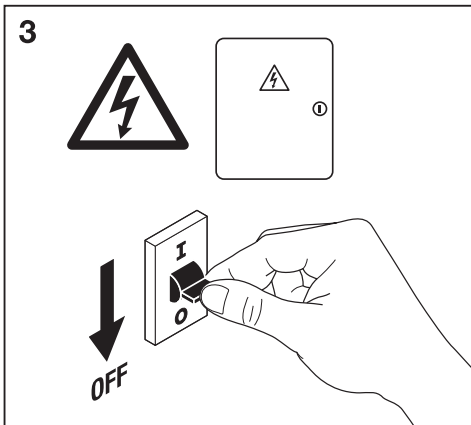
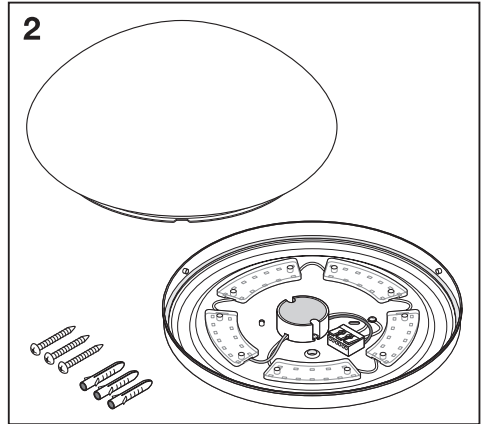
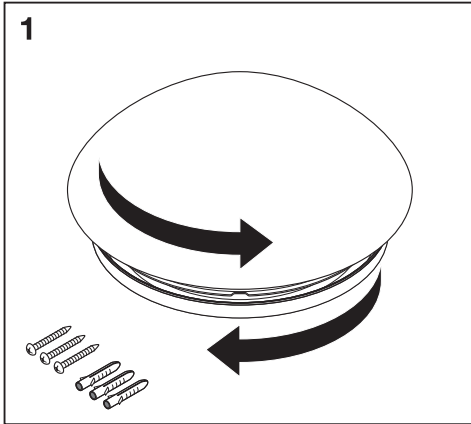
## SURFACE CIRCULAR SENSOR

---

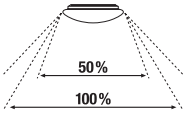
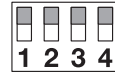
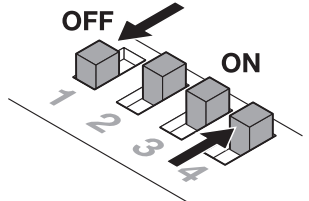
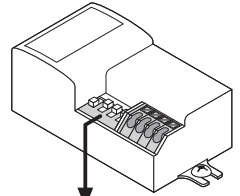
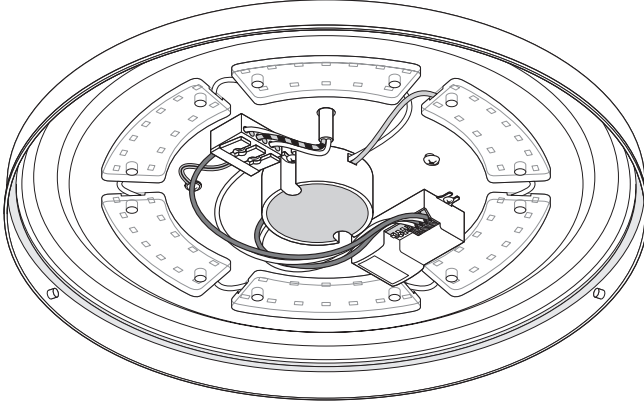


|                             | EAN           | Ø x h [mm] | W  | lm   | lm/W | K    | IP | IK |
|-----------------------------|---------------|------------|----|------|------|------|----|----|
| SF CIRCULAR 250 13W/3000K   | 4058075110120 | 250x91     | 13 | 920  | 70   | 3000 | 44 | 03 |
| SF CIRCULAR 250 13W/4000K   | 4058075110144 | 250x91     | 13 | 960  | 75   | 4000 | 44 | 03 |
| SF CIRCULAR 250 13W/3000K S | 4058075110168 | 250x91     | 13 | 920  | 70   | 3000 | 44 | 03 |
| SF CIRCULAR 250 13W/4000K S | 4058075110182 | 250x91     | 13 | 960  | 75   | 4000 | 44 | 03 |
| SF CIRCULAR 350 18W/3000K   | 4058075080010 | 350x115    | 18 | 1440 | 80   | 3000 | 44 | 03 |
| SF CIRCULAR 350 18W/4000K   | 4058075080034 | 350x115    | 18 | 1440 | 80   | 4000 | 44 | 03 |
| SF CIRCULAR 350 18W/3000K S | 4058075110205 | 350x115    | 18 | 1440 | 80   | 3000 | 44 | 03 |
| SF CIRCULAR 350 18W/4000K S | 4058075110229 | 350x115    | 18 | 1440 | 80   | 4000 | 44 | 03 |
| SF CIRCULAR 400 24W/3000K   | 4058075080058 | 400x120    | 24 | 1920 | 80   | 3000 | 44 | 03 |
| SF CIRCULAR 400 24W/4000K   | 4058075080072 | 400x120    | 24 | 1920 | 80   | 4000 | 44 | 03 |
| SF CIRCULAR 400 24W/3000K S | 4058075080096 | 400x120    | 24 | 1920 | 80   | 3000 | 44 | 03 |
| SF CIRCULAR 400 24W/4000K S | 4058075080119 | 400x120    | 24 | 1920 | 80   | 4000 | 44 | 03 |

|                             | EAN           | θ (°C)    | V <sub>AC</sub> | Hz      | ∠    | PF    | R <sub>a</sub> | 👤      |
|-----------------------------|---------------|-----------|-----------------|---------|------|-------|----------------|--------|
| SF CIRCULAR 250 13W/3000K   | 4058075110120 | -20...+40 | 220-240V        | 50/60Hz | 120° | > 0.5 | > 80           | 0.3 kg |
| SF CIRCULAR 250 13W/4000K   | 4058075110144 | -20...+40 | 220-240V        | 50/60Hz | 120° | > 0.5 | > 80           | 0.3 kg |
| SF CIRCULAR 250 13W/3000K S | 4058075110168 | -20...+40 | 220-240V        | 50/60Hz | 120° | > 0.5 | > 80           | 0.3 kg |
| SF CIRCULAR 250 13W/4000K S | 4058075110182 | -20...+40 | 220-240V        | 50/60Hz | 120° | > 0.5 | > 80           | 0.3 kg |
| SF CIRCULAR 350 18W/3000K   | 4058075080010 | -20...+40 | 220-240V        | 50/60Hz | 120° | > 0.5 | > 80           | 0.6 kg |
| SF CIRCULAR 350 18W/4000K   | 4058075080034 | -20...+40 | 220-240V        | 50/60Hz | 120° | > 0.5 | > 80           | 0.6 kg |
| SF CIRCULAR 350 18W/3000K S | 4058075110205 | -20...+40 | 220-240V        | 50/60Hz | 120° | > 0.5 | > 80           | 0.7 kg |
| SF CIRCULAR 350 18W/4000K S | 4058075110229 | -20...+40 | 220-240V        | 50/60Hz | 120° | > 0.5 | > 80           | 0.7 kg |
| SF CIRCULAR 400 24W/3000K   | 4058075080058 | -20...+40 | 220-240V        | 50/60Hz | 120° | > 0.5 | > 80           | 0.7 kg |
| SF CIRCULAR 400 24W/4000K   | 4058075080072 | -20...+40 | 220-240V        | 50/60Hz | 120° | > 0.5 | > 80           | 0.7 kg |
| SF CIRCULAR 400 24W/3000K S | 4058075080096 | -20...+40 | 220-240V        | 50/60Hz | 120° | > 0.5 | > 80           | 0.8 kg |
| SF CIRCULAR 400 24W/4000K S | 4058075080119 | -20...+40 | 220-240V        | 50/60Hz | 120° | > 0.5 | > 80           | 0.8 kg |



### 6a: SURFACE CIRCULAR SENSOR



Detection Area

| 1  |       |
|----|-------|
| ON | 100 % |
| -  | 50 %  |



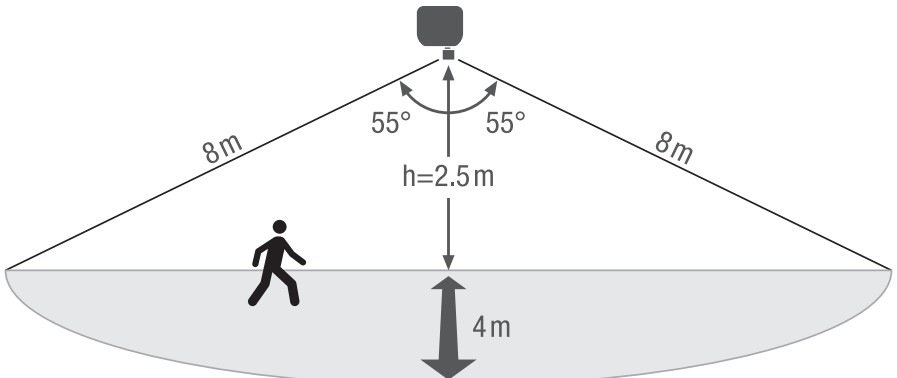
Hold Time

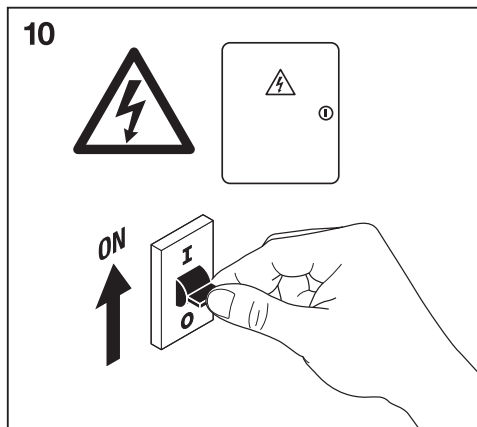
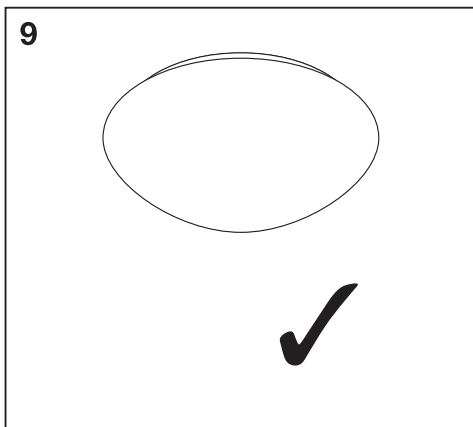
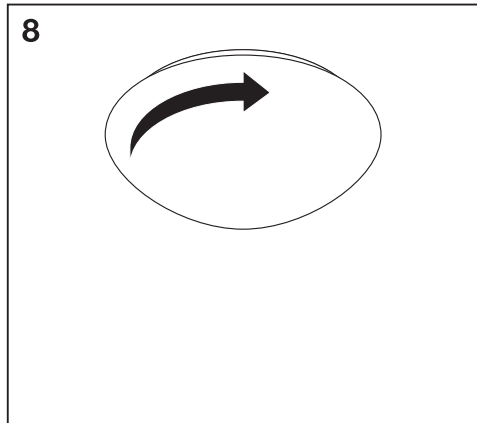
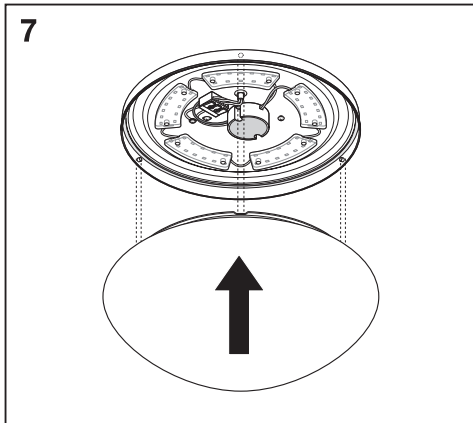
| 2  | 3  |        |
|----|----|--------|
| ON | ON | 5 s    |
| ON | -  | 1 min  |
| -  | ON | 3 min  |
| -  | -  | 10 min |




Daylight Sensor

| 4  |         |
|----|---------|
| ON | 25 LUX  |
| -  | Disable |





|  | EAN           | Ø x h [mm] |
|--|---------------|------------|
| SF CIRCULAR 250 COVER  | 4058075156722 | 250x80     |
| SF CIRCULAR 350 COVER  | 4058075156807 | 350x104    |
| SF CIRCULAR 400 COVER  | 4058075156821 | 400x112    |

CE   **EAC** RoHS



C10449057  
G11042739  
17.04.2018



**LEDVANCE** GmbH  
Steinerne Furt 62  
86167 Augsburg, Germany  
[www.ledvance.com](http://www.ledvance.com)