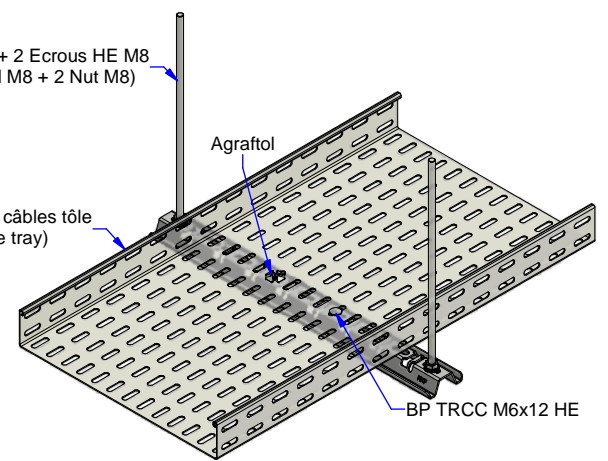
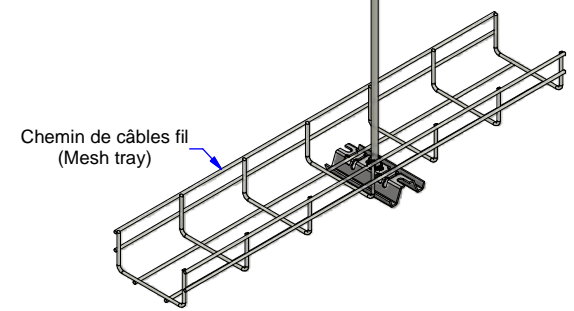


Tige filetée M8 + 2 Ecrous HE M8
(Threaded rod M8 + 2 Nut M8)



Tige filetée M8 + 2 Ecrous HE M8
(Threaded rod M8 + 2 Nut M8)



Description	Code	Masse/Weight	Ep./Th.	l./w.
		Kg/ml	mm	mm
S100U 1M ZM	748107	1,190	2,00	1000
S100U 2M ZM	748110	1,190	2,00	2000
S100U 3M ZM	748111	1,190	2,00	3000

ZM : High performance coated zinc according to NF A 91102
ZM : Revêtement haute tenue corrosion suivant NF A 91102



www.niedaxfrance.fr

RAIL U S100U ZM CHANNEL S100U ZM		CE
ASSISTANCE TECHNIQUE +33 (0)1 55 95 92 17 pole.technique@niedax.fr		NIEDAX France
FT02015		