

6

5

4

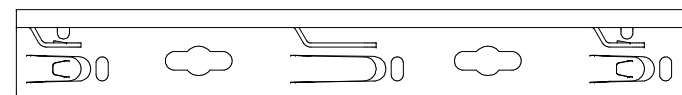
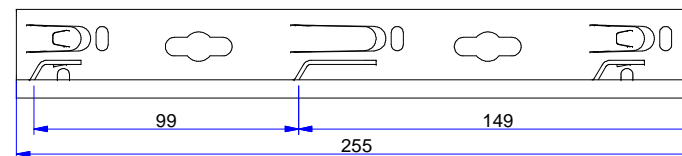
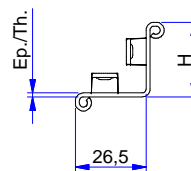
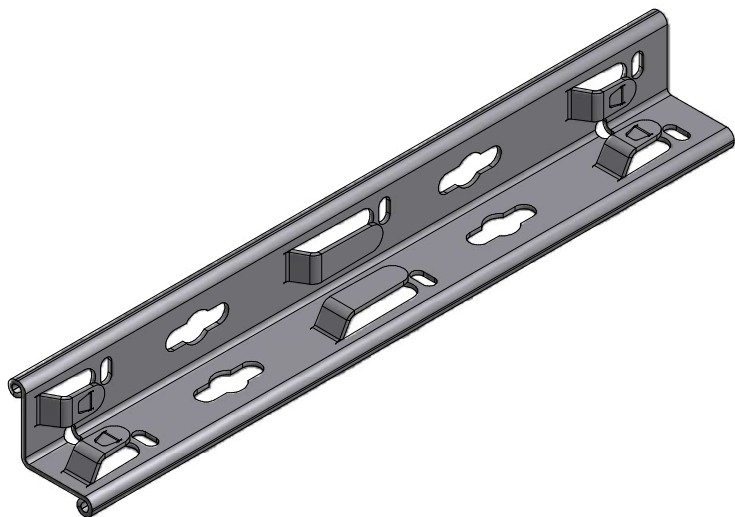
3

2

1

D

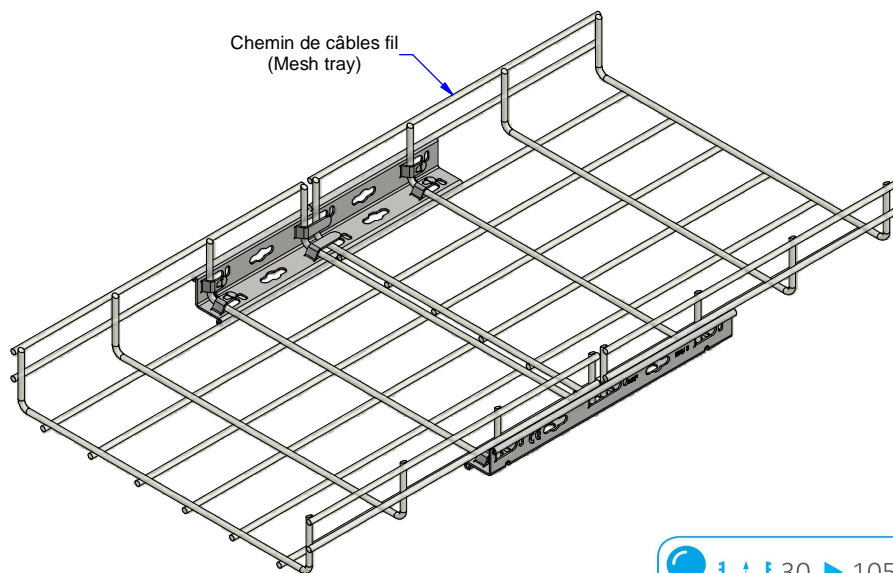
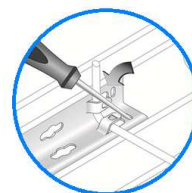
D



C

C

Chemin de câbles fil
(Mesh tray)



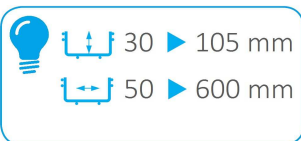
B

B

Description	Code	Masse/Weight Kg/p	Ep./Th. mm	H mm
ERU3 ZM	553136	0,230	1,50	28

A

A



www.niedaxfrance.fr

ZM : High performance coated zinc according to NF A 91102
ZM : Revêtement haute tenue corrosion suivant NF A 91102

ECLISSE ERU3 ZM
 ERU3 COUPLER ZM

CE

ASSISTANCE TECHNIQUE
 +33 (0)1 55 95 92 17
 pole.technique@niedax.fr

FT02405

NIEDAX
 France



6

5

4

3

2

1

A