
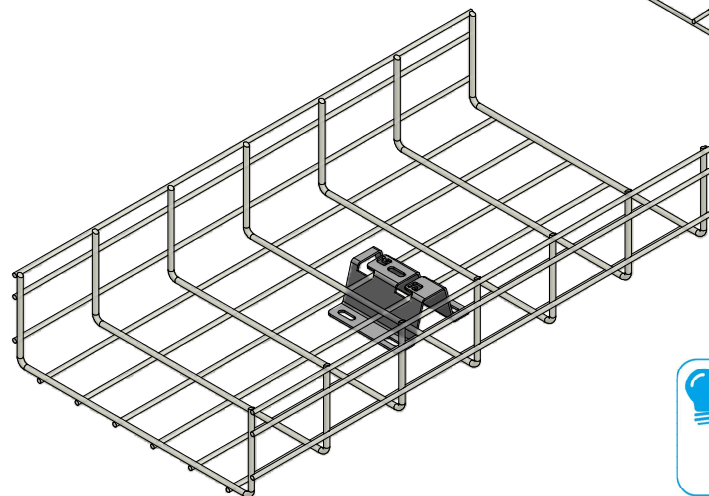


Description	Code	Masse/Weight Kg/p	Ep./Th. mm	 daN
SH 100 ZM	553142	0,250	2,00	150



www.niedaxfrance.fr

**ZM** : High performance coated zinc according to NF A 91102  
**ZM** : Revêtement haute tenue corrosion suivant NF A 91102

SUPPORT SH 100 ZM  
 SH 100 BRACKET ZM



ASSISTANCE TECHNIQUE  
 +33 (0)1 55 95 92 17  
 pole.technique@niedax.fr

FT03256

**NIEDAX**  
 France

