

6 5 4 3 2 1

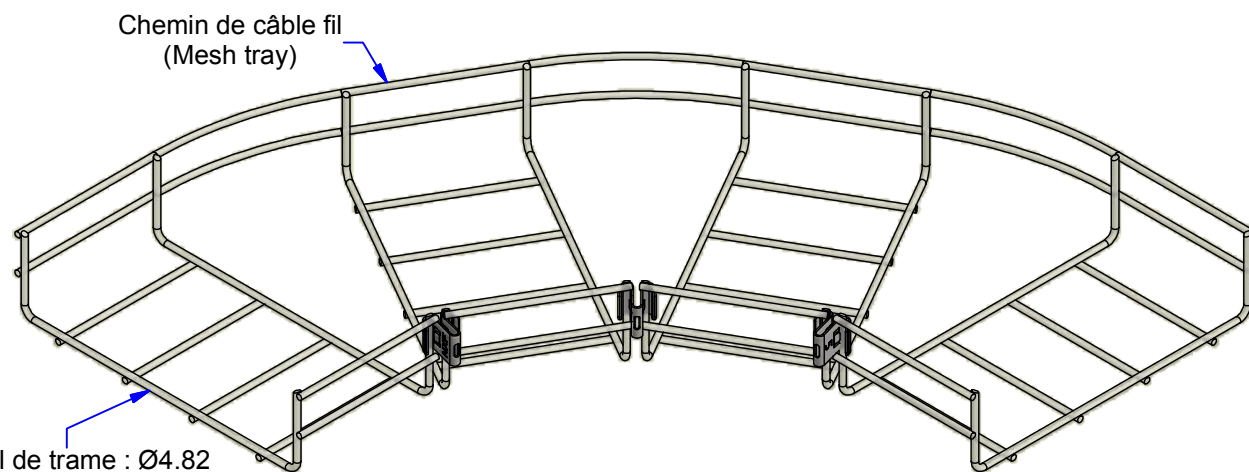
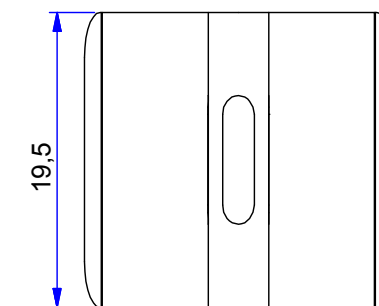
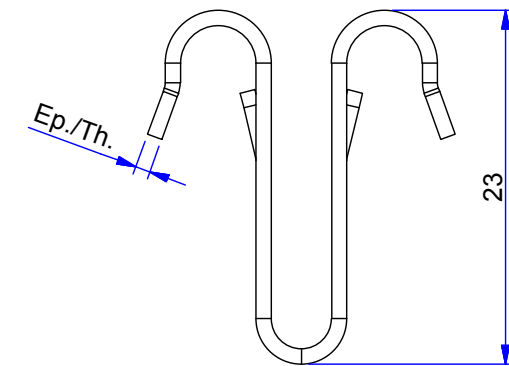
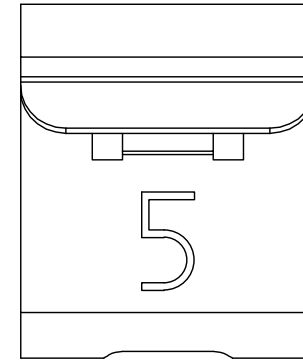
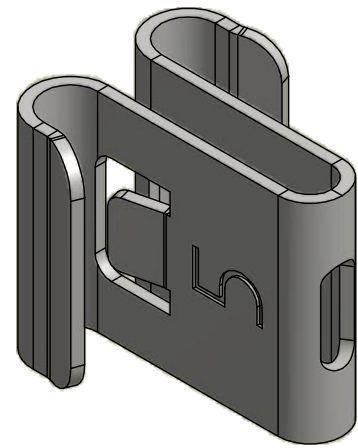
D D

C C

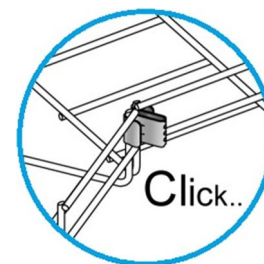
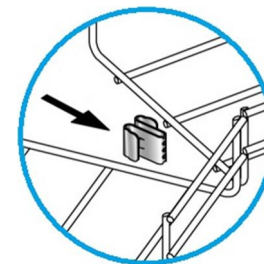
B B

A A

6 5 4 3 2 1



Pour fil de trame : Ø4.82
54x300 uniquement
105x200 uniquement
(For cross wire Ø4.82
54x300 only
105x200 only)



Description	Code	Masse/Weight Kg/p	Ep./Th. mm
MTCA 5 INOX	713622	0,010	1,00

NOTA :
Angle ajustable
Adjustable corner



www.niedaxfrance.fr

AGRAFE MTCA 5 INOX
MTCA 5 COUPLER FOR BENDS SS



ASSISTANCE TECHNIQUE
+33 (0)1 55 95 92 17
pole.technique@niedax.fr

FT03267

NIEDAX
France

