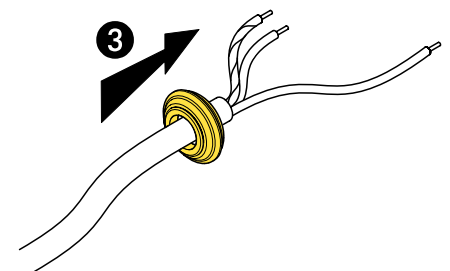
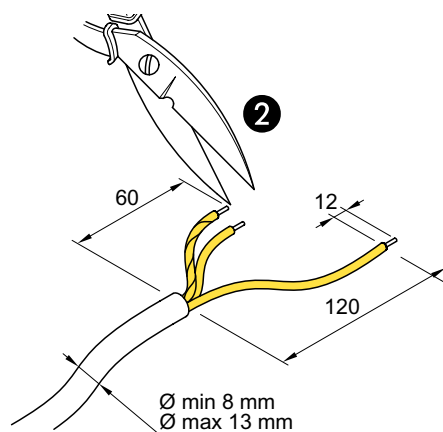
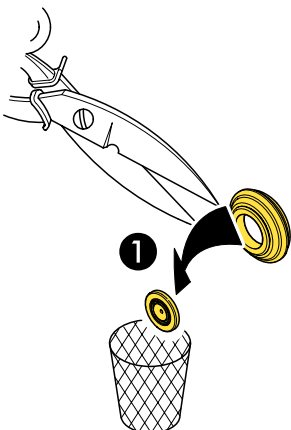
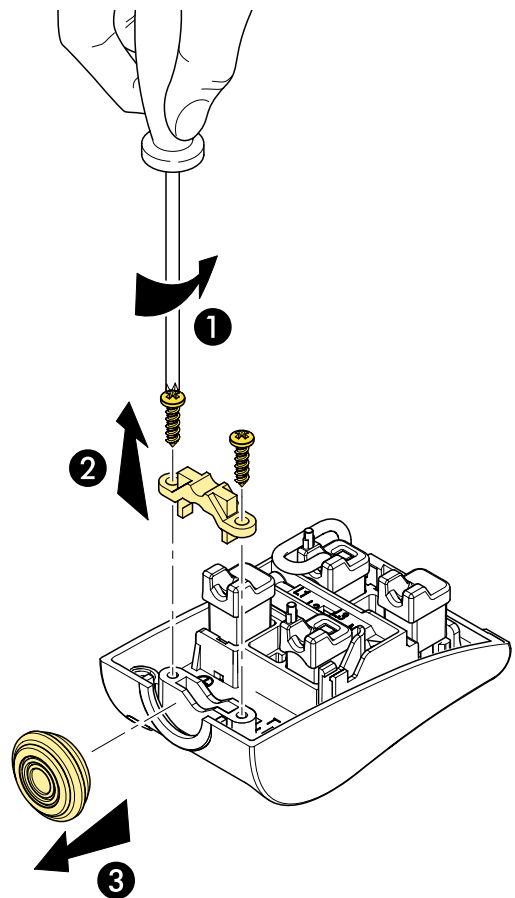
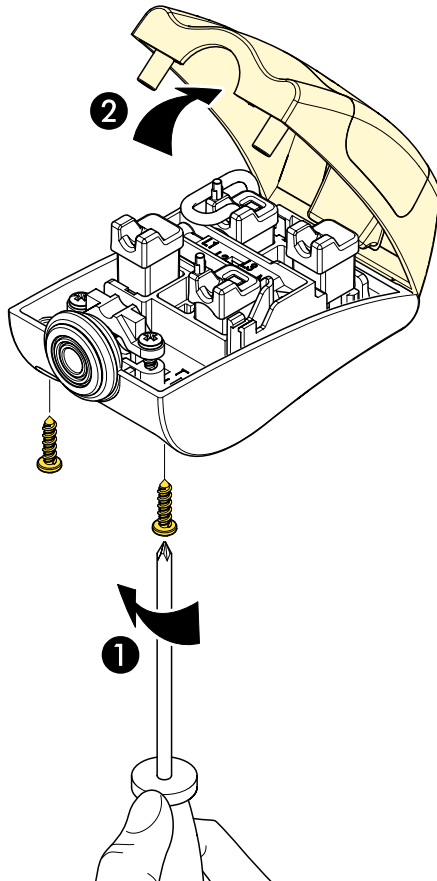
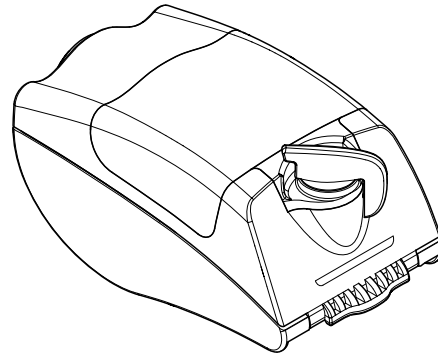
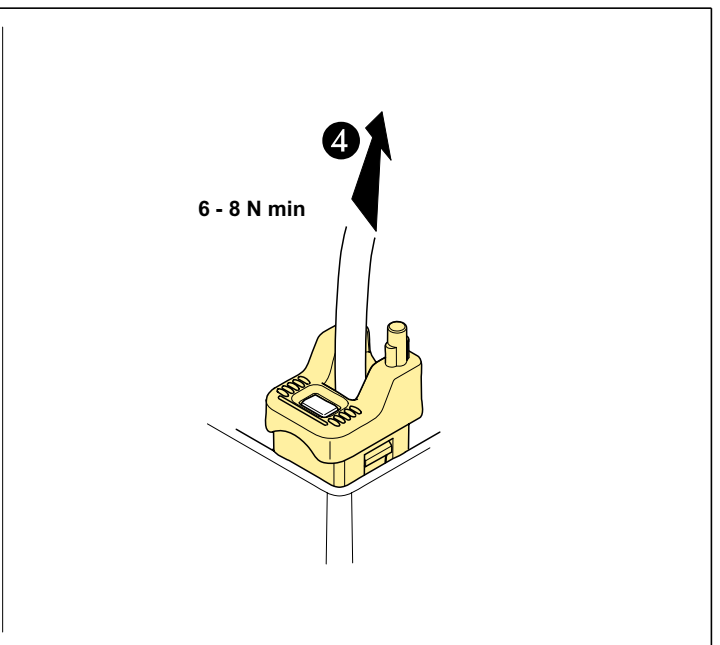
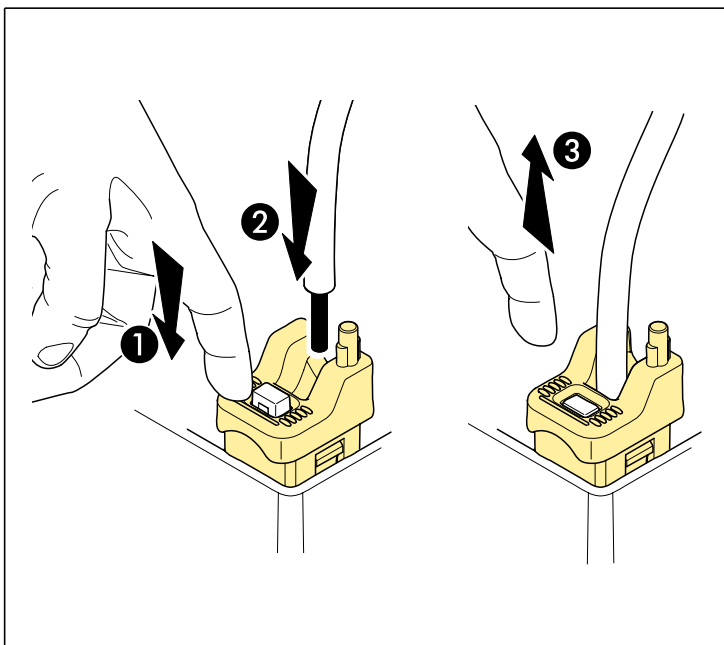
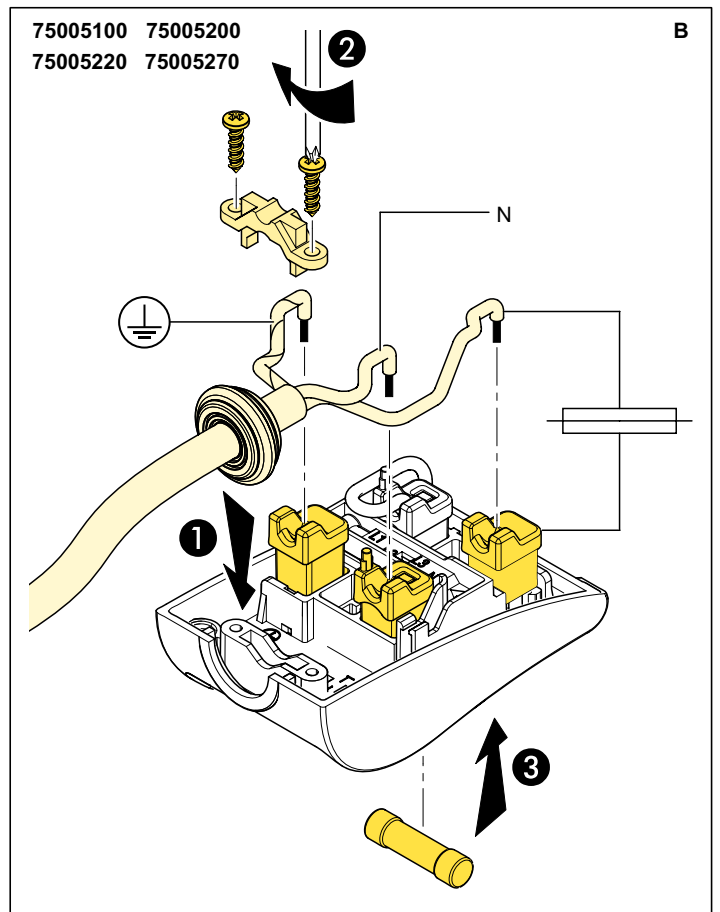
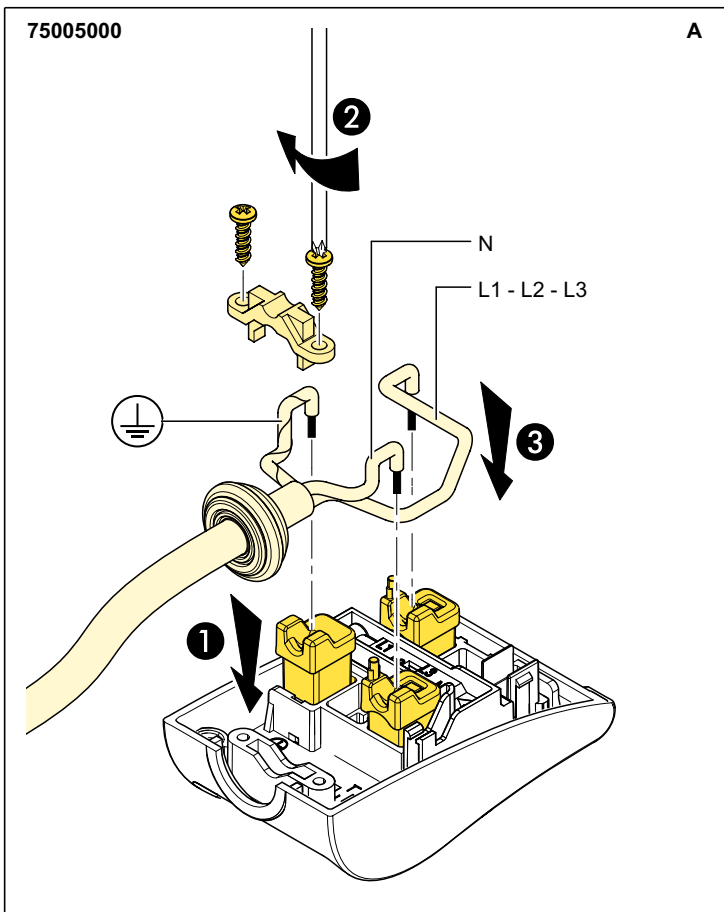
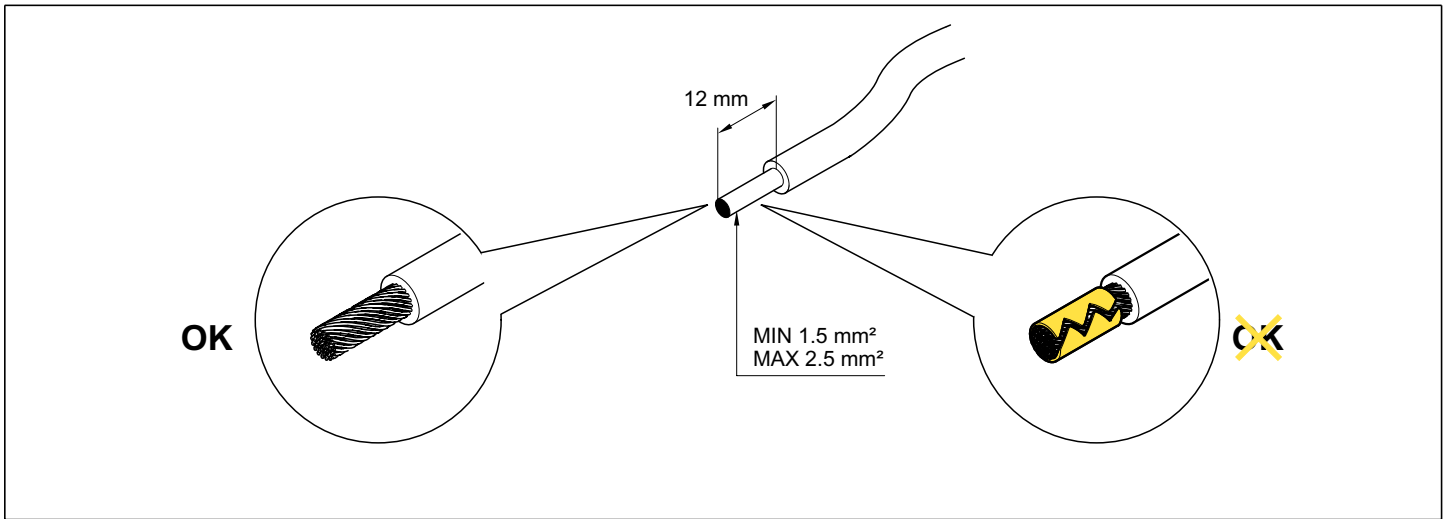


75005000	75005005
75005100	75005200
75005220	75005270
75005060	75005065
75005070	

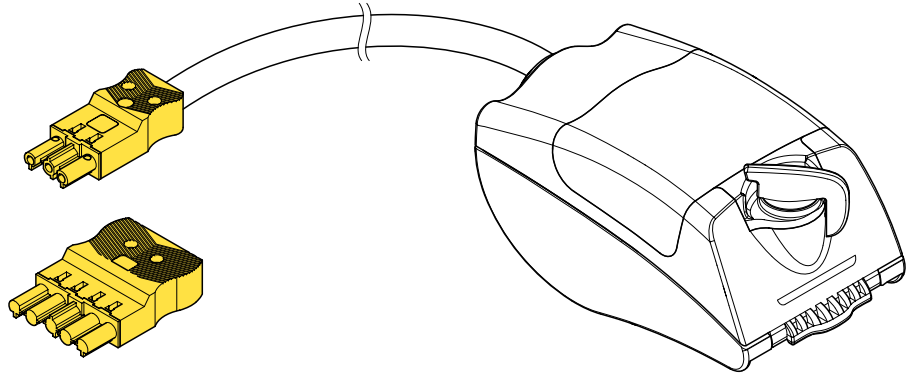




75005060
75005065
75005070

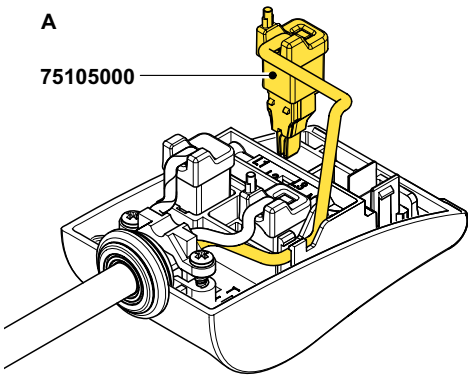
RR P+N+T

RR 3P+N+T



A

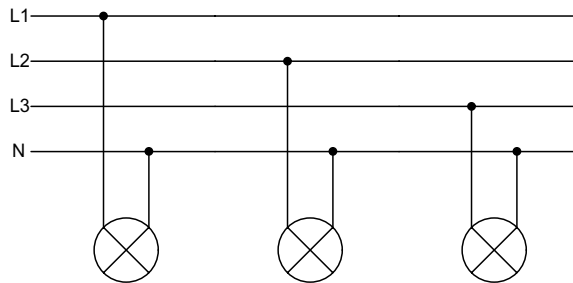
75105000



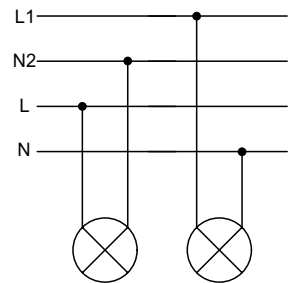
L1 N

L2 N

L3 N

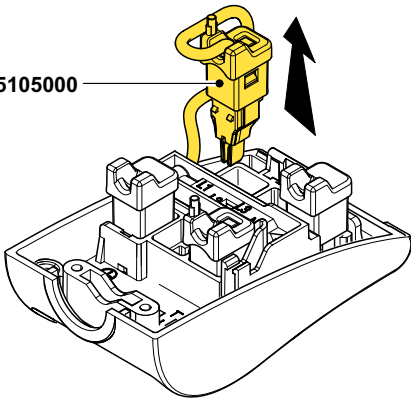


L N2 / L1 N



B

75105000

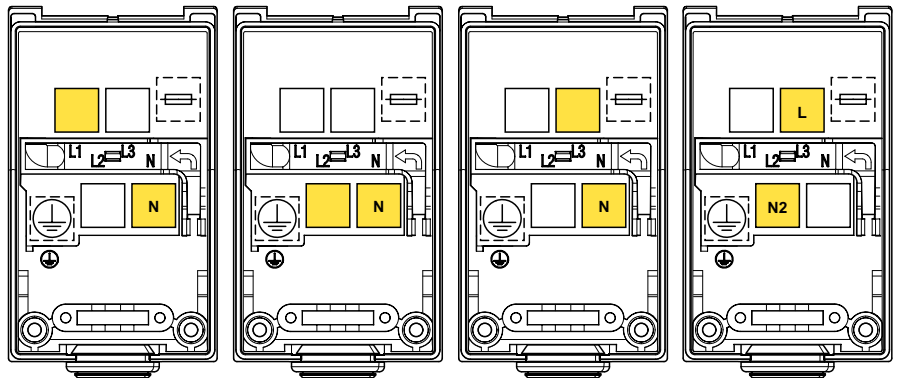


L1 - N

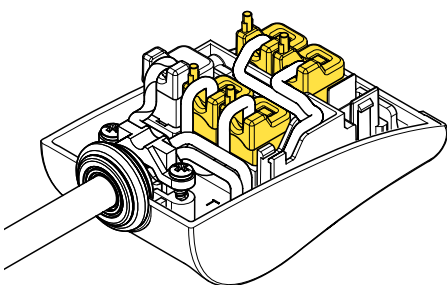
L2 - N

L3 - N

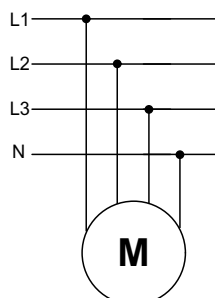
N2 - L



75005005



L1 L2 L3 N



L1 - L2 - L3 - N

