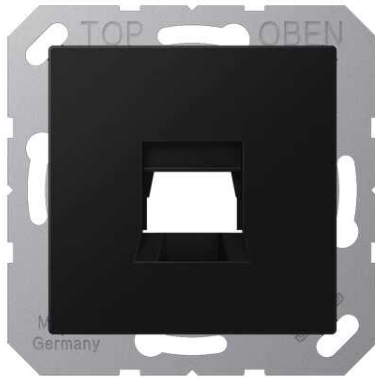


Enjoliveur (à griffer) pour connecteurs Modular Jack, 1x, UMA-CAT6A, RADIALL, Panduit, Assmann, thermoplastique laqué, Série A, Noir mat



Reference number:	A 1569-1 WE SWM
EAN/GTIN:	4011377186095
Couleur:	Noir mat
Matière:	thermoplastique

■ Possibilité d'impression individuelle en couleur

laqué mat

(avec support de fixation à vis)

couvercle à ressort

dimensions intérieures du support keystone 15,3 x 19,3 mm

pour module universel Art. N° : UMA-CAT6A-25

pour 1 connecteur

L'ensoliveau s'utilise aussi avec connecteurs

Marque RADIALL

Modular Jack sans écran

Cat. 4, 6-pôles RJ 12 (Art. N° R280MOD804)

Cat. 4, 8-pôles RJ 45 (Art. N° R280MOD805)

Cat. 5e, 8-pôles RJ 45 (Art. N° R280MOD807)

Marque Panduit

Keystone Jack

Cat. 3 RJ 45 (KJ 88..)

Cat. 5 RJ 45 (KJ 588..)

Marque Assmann

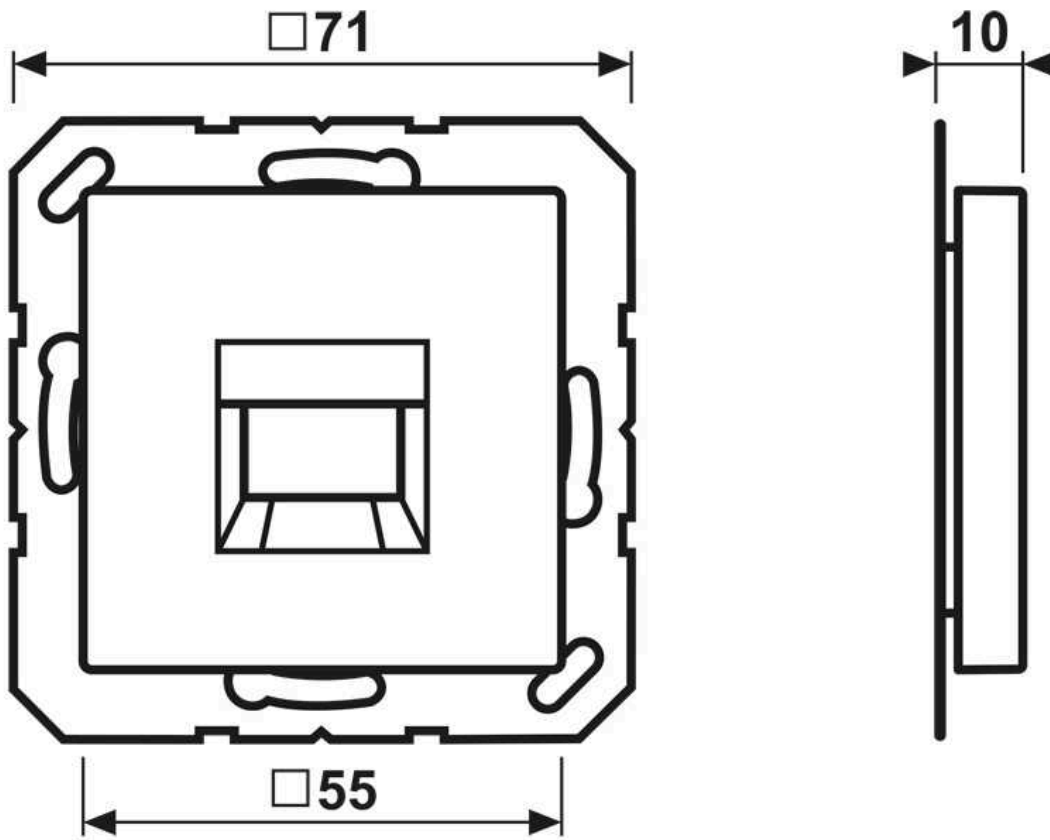
Module DN-93612 Cat. 6A, avec écran, Keystone

Modul DN-93614

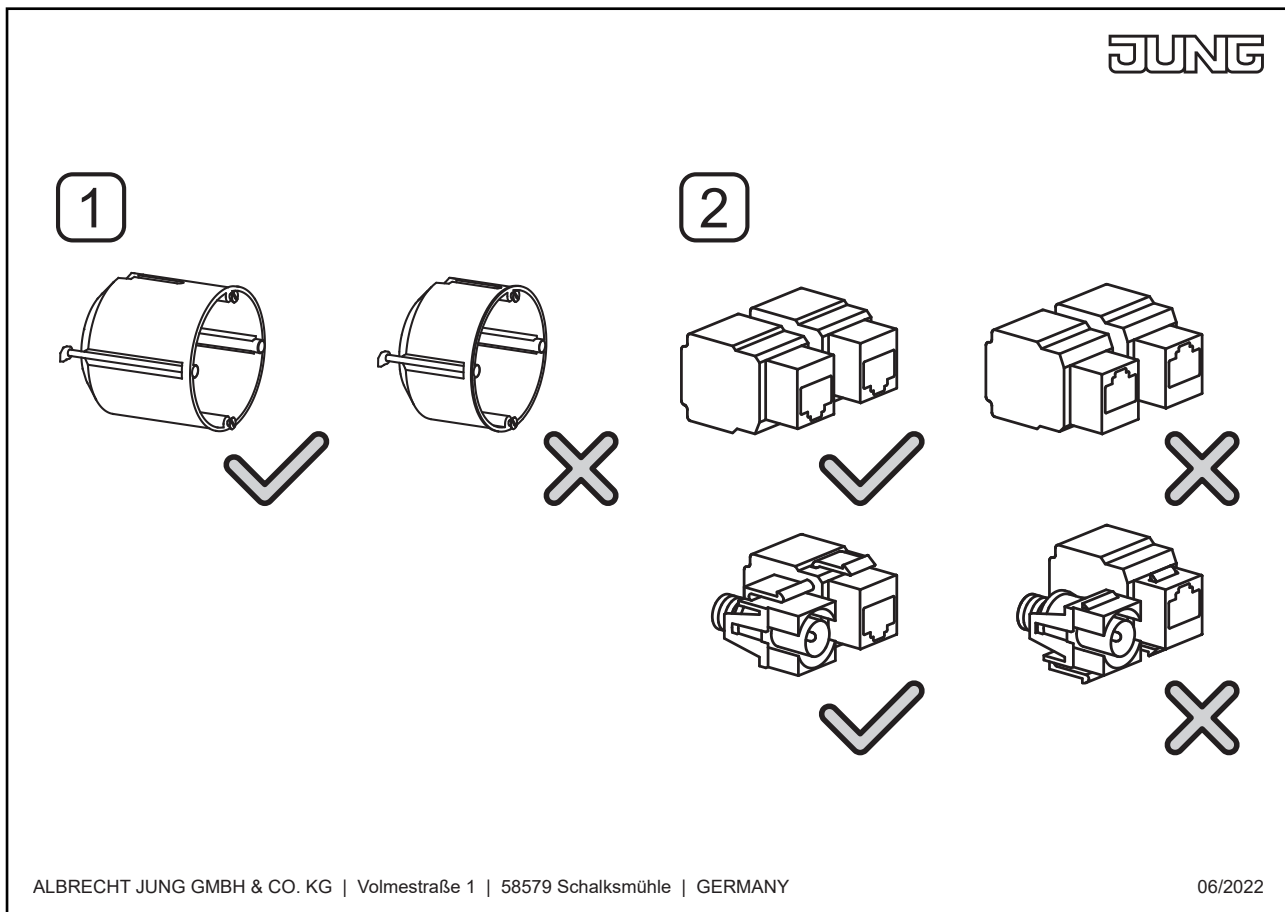
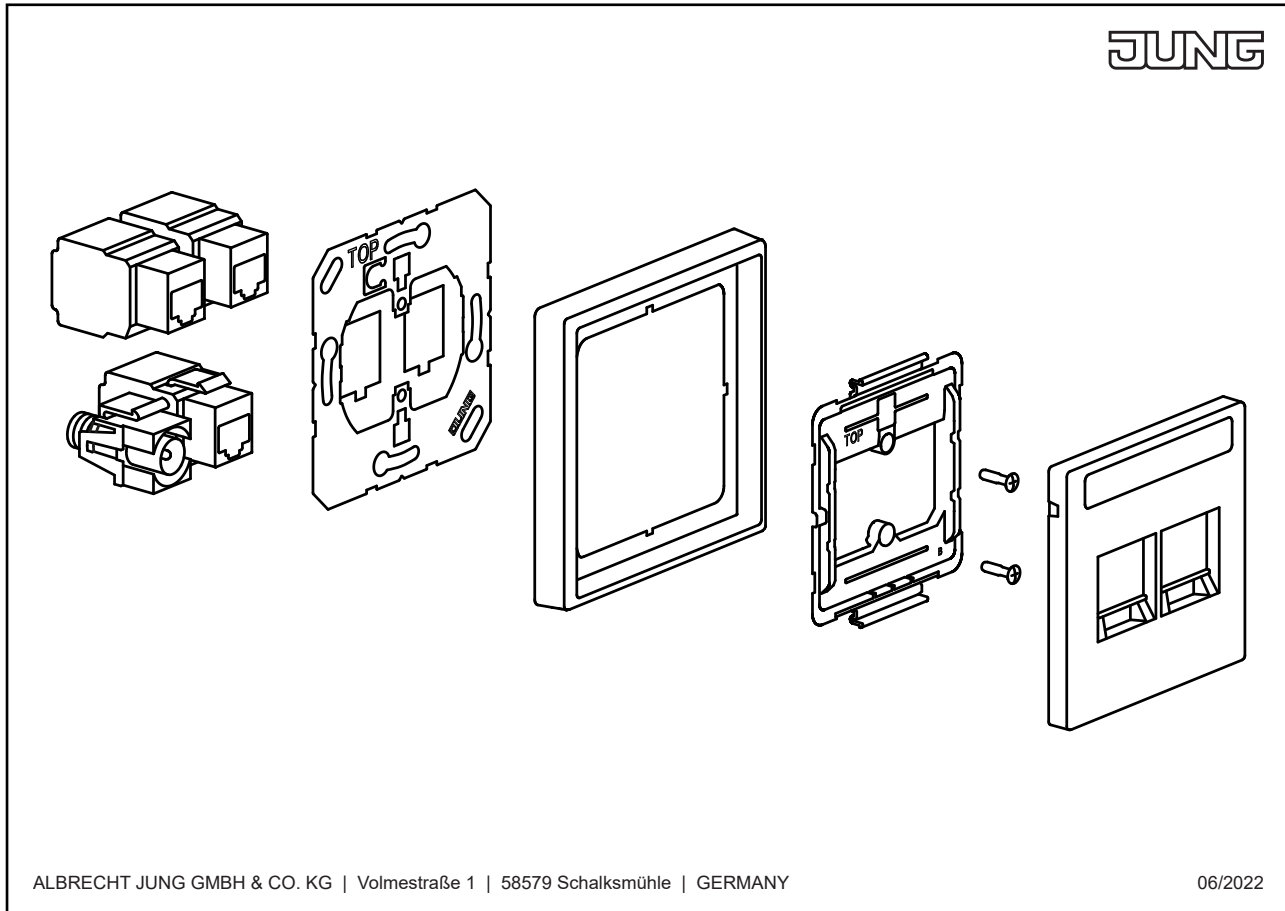
SCHRACK

HSPMRJ6G1A, HSEMRJ6G1A, HSEMRJ6G1B, HSEMRJ6G1C, HSEMRJ6G1D, HSEMRJ6G1E, HSEMRJ6G1F, HSEMRJ6G1G, HSEMRJ6G1H, HSEMRJ6G1I, HSEMRJ6G1J, HSEMRJ6G1K, HSEMRJ6G1L, HSEMRJ6G1M, HSEMRJ6G1N, HSEMRJ6G1O, HSEMRJ6G1P, HSEMRJ6G1Q, HSEMRJ6G1R, HSEMRJ6G1S, HSEMRJ6G1T, HSEMRJ6G1U, HSEMRJ6G1V, HSEMRJ6G1W, HSEMRJ6G1X, HSEMRJ6G1Y, HSEMRJ6G1Z, HSEMRJ6G2A, HSEMRJ6G2B, HSEMRJ6G2C, HSEMRJ6G2D, HSEMRJ6G2E, HSEMRJ6G2F, HSEMRJ6G2G, HSEMRJ6G2H, HSEMRJ6G2I, HSEMRJ6G2J, HSEMRJ6G2K, HSEMRJ6G2L, HSEMRJ6G2M, HSEMRJ6G2N, HSEMRJ6G2O, HSEMRJ6G2P, HSEMRJ6G2Q, HSEMRJ6G2R, HSEMRJ6G2S, HSEMRJ6G2T, HSEMRJ6G2U, HSEMRJ6G2V, HSEMRJ6G2W, HSEMRJ6G2X, HSEMRJ6G2Y, HSEMRJ6G2Z, HSEMRJ6G3A, HSEMRJ6G3B, HSEMRJ6G3C, HSEMRJ6G3D, HSEMRJ6G3E, HSEMRJ6G3F, HSEMRJ6G3G, HSEMRJ6G3H, HSEMRJ6G3I, HSEMRJ6G3J, HSEMRJ6G3K, HSEMRJ6G3L, HSEMRJ6G3M, HSEMRJ6G3N, HSEMRJ6G3O, HSEMRJ6G3P, HSEMRJ6G3Q, HSEMRJ6G3R, HSEMRJ6G3S, HSEMRJ6G3T, HSEMRJ6G3U, HSEMRJ6G3V, HSEMRJ6G3W, HSEMRJ6G3X, HSEMRJ6G3Y, HSEMRJ6G3Z, HSEMRJ6G4A, HSEMRJ6G4B, HSEMRJ6G4C, HSEMRJ6G4D, HSEMRJ6G4E, HSEMRJ6G4F, HSEMRJ6G4G, HSEMRJ6G4H, HSEMRJ6G4I, HSEMRJ6G4J, HSEMRJ6G4K, HSEMRJ6G4L, HSEMRJ6G4M, HSEMRJ6G4N, HSEMRJ6G4O, HSEMRJ6G4P, HSEMRJ6G4Q, HSEMRJ6G4R, HSEMRJ6G4S, HSEMRJ6G4T, HSEMRJ6G4U, HSEMRJ6G4V, HSEMRJ6G4W, HSEMRJ6G4X, HSEMRJ6G4Y, HSEMRJ6G4Z, HSEMRJ6G5A, HSEMRJ6G5B, HSEMRJ6G5C, HSEMRJ6G5D, HSEMRJ6G5E, HSEMRJ6G5F, HSEMRJ6G5G, HSEMRJ6G5H, HSEMRJ6G5I, HSEMRJ6G5J, HSEMRJ6G5K, HSEMRJ6G5L, HSEMRJ6G5M, HSEMRJ6G5N, HSEMRJ6G5O, HSEMRJ6G5P, HSEMRJ6G5Q, HSEMRJ6G5R, HSEMRJ6G5S, HSEMRJ6G5T, HSEMRJ6G5U, HSEMRJ6G5V, HSEMRJ6G5W, HSEMRJ6G5X, HSEMRJ6G5Y, HSEMRJ6G5Z, HSEMRJ6G6A, HSEMRJ6G6B, HSEMRJ6G6C, HSEMRJ6G6D, HSEMRJ6G6E, HSEMRJ6G6F, HSEMRJ6G6G, HSEMRJ6G6H, HSEMRJ6G6I, HSEMRJ6G6J, HSEMRJ6G6K, HSEMRJ6G6L, HSEMRJ6G6M, HSEMRJ6G6N, HSEMRJ6G6O, HSEMRJ6G6P, HSEMRJ6G6Q, HSEMRJ6G6R, HSEMRJ6G6S, HSEMRJ6G6T, HSEMRJ6G6U, HSEMRJ6G6V, HSEMRJ6G6W, HSEMRJ6G6X, HSEMRJ6G6Y, HSEMRJ6G6Z, HSEMRJ6G7A, HSEMRJ6G7B, HSEMRJ6G7C, HSEMRJ6G7D, HSEMRJ6G7E, HSEMRJ6G7F, HSEMRJ6G7G, HSEMRJ6G7H, HSEMRJ6G7I, HSEMRJ6G7J, HSEMRJ6G7K, HSEMRJ6G7L, HSEMRJ6G7M, HSEMRJ6G7N, HSEMRJ6G7O, HSEMRJ6G7P, HSEMRJ6G7Q, HSEMRJ6G7R, HSEMRJ6G7S, HSEMRJ6G7T, HSEMRJ6G7U, HSEMRJ6G7V, HSEMRJ6G7W, HSEMRJ6G7X, HSEMRJ6G7Y, HSEMRJ6G7Z, HSEMRJ6G8A, HSEMRJ6G8B, HSEMRJ6G8C, HSEMRJ6G8D, HSEMRJ6G8E, HSEMRJ6G8F, HSEMRJ6G8G, HSEMRJ6G8H, HSEMRJ6G8I, HSEMRJ6G8J, HSEMRJ6G8K, HSEMRJ6G8L, HSEMRJ6G8M, HSEMRJ6G8N, HSEMRJ6G8O, HSEMRJ6G8P, HSEMRJ6G8Q, HSEMRJ6G8R, HSEMRJ6G8S, HSEMRJ6G8T, HSEMRJ6G8U, HSEMRJ6G8V, HSEMRJ6G8W, HSEMRJ6G8X, HSEMRJ6G8Y, HSEMRJ6G8Z, HSEMRJ6G9A, HSEMRJ6G9B, HSEMRJ6G9C, HSEMRJ6G9D, HSEMRJ6G9E, HSEMRJ6G9F, HSEMRJ6G9G, HSEMRJ6G9H, HSEMRJ6G9I, HSEMRJ6G9J, HSEMRJ6G9K, HSEMRJ6G9L, HSEMRJ6G9M, HSEMRJ6G9N, HSEMRJ6G9O, HSEMRJ6G9P, HSEMRJ6G9Q, HSEMRJ6G9R, HSEMRJ6G9S, HSEMRJ6G9T, HSEMRJ6G9U, HSEMRJ6G9V, HSEMRJ6G9W, HSEMRJ6G9X, HSEMRJ6G9Y, HSEMRJ6G9Z, HSEMRJ6G0A, HSEMRJ6G0B, HSEMRJ6G0C, HSEMRJ6G0D, HSEMRJ6G0E, HSEMRJ6G0F, HSEMRJ6G0G, HSEMRJ6G0H, HSEMRJ6G0I, HSEMRJ6G0J, HSEMRJ6G0K, HSEMRJ6G0L, HSEMRJ6G0M, HSEMRJ6G0N, HSEMRJ6G0O, HSEMRJ6G0P, HSEMRJ6G0Q, HSEMRJ6G0R, HSEMRJ6G0S, HSEMRJ6G0T, HSEMRJ6G0U, HSEMRJ6G0V, HSEMRJ6G0W, HSEMRJ6G0X, HSEMRJ6G0Y, HSEMRJ6G0Z

Dimensions



Montage



1



2

