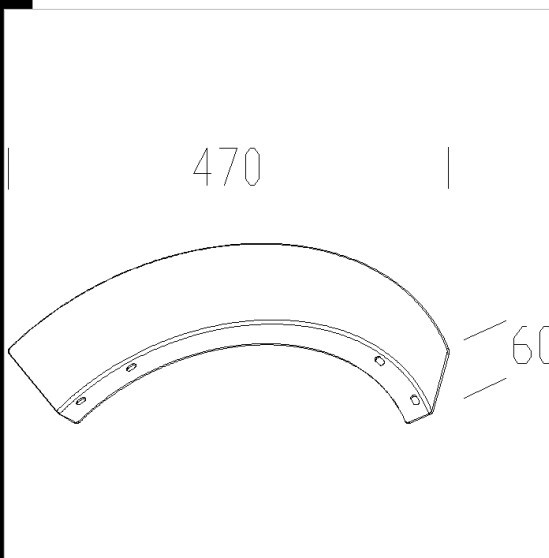
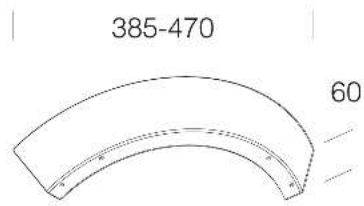


Download

DXF 2D
- 521.dxf



Code	Kg	WTot	Colour
991201-00	0,00	0 W	NOIR

Prodotti



- 3187 Sforza Ø600

The reported luminous flux is the flux emitted by the light source with a tolerance of $\pm 10\%$ compared to the indicated value. The W tot column indicates the total wattage absorbed by the system without exceeding 10% of the indicated