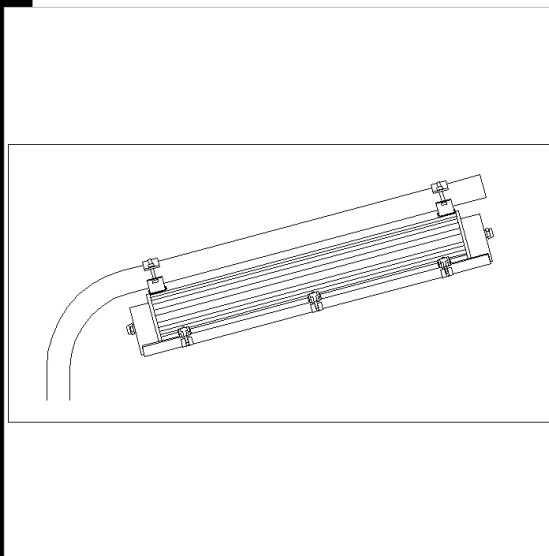


Download

DXF 2D
- 157.dxf



Code	Kg	WTot	Colour
998091-00	0,94	0 W	INOX

Prodotti



- 1166 Radon - fluorescent

The reported luminous flux is the flux emitted by the light source with a tolerance of $\pm 10\%$ compared to the indicated value. The W tot column indicates the total wattage absorbed by the system without exceeding 10% of the indicated