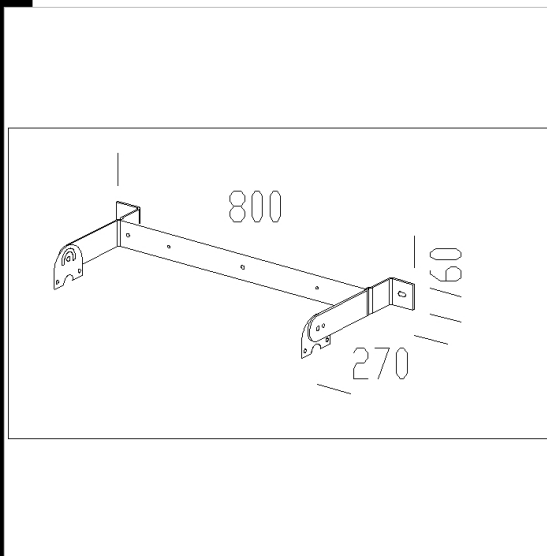


Download

- DXF 2D
- 127.dxf
- Montaggi
- acc_127.pdf



Code	Kg	WTot	Colour
998079-00	5,70	0 W	INOX

Prodotti



- 998 Eterna -
acier+verre/reflecteur



- 1992 Gallery - monolampe FS



- 1993 Gallery - monolampe FL



- 990 Steel T8 - acier+verre



- 992 Eterna T8 - acier
inox+verre



- 989 Eterna T8 - acier
inox+polycarbonate



- 1994 Gallery - monolampe type
roulier



- 992 Eterna T5 - acier
inox+verre



- 991 Steel T8 -
acier+polycarbonate



- 991 Steel T5 -
acier+polycarbonate



- 990 Steel T5 - acier+verre



- 989 Eterna T5 - acier
inox+polycarbonate

The reported luminous flux is the flux emitted by the light source with a tolerance of $\pm 10\%$ compared to the indicated value. The W tot column indicates the total wattage absorbed by the system without exceeding 10% of the indicated