



Product Compliance

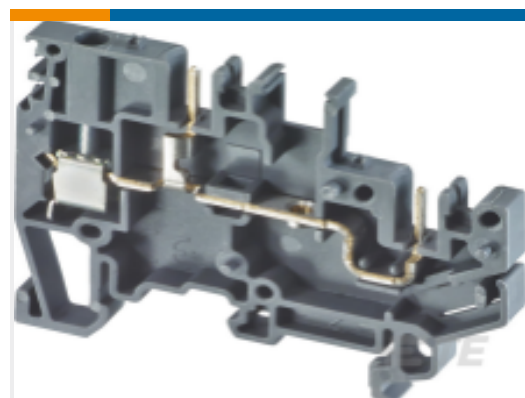
[For compliance documentation, visit the product page on TE.com>](#)

EU RoHS Directive 2011/65/EU	Compliant
EU ELV Directive 2000/53/EC	Compliant
China RoHS 2 Directive MIIT Order No 32, 2016	No Restricted Materials Above Threshold
EU REACH Regulation (EC) No. 1907/2006	Current ECHA Candidate List: JUNE 2022 (224) Candidate List Declared Against: JUN 2020 (209) Does not contain REACH SVHC
Halogen Content	Not Low Halogen - contains Br or Cl > 900 ppm.
Solder Process Capability	Not reviewed for solder process capability

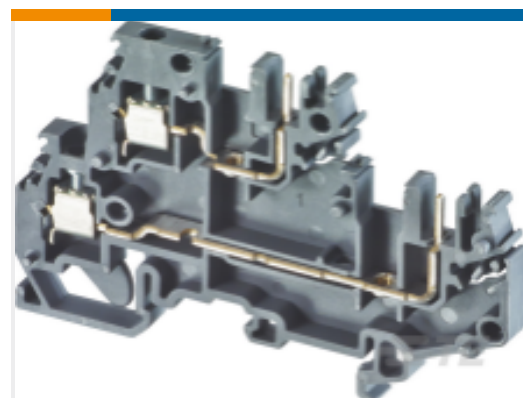
Product Compliance Disclaimer

This information is provided based on reasonable inquiry of our suppliers and represents our current actual knowledge based on the information they provided. This information is subject to change. The part numbers that TE has identified as EU RoHS compliant have a maximum concentration of 0.1% by weight in homogenous materials for lead, hexavalent chromium, mercury, PBB, PBDE, DBP, BBP, DEHP, DIBP, and 0.01% for cadmium, or qualify for an exemption to these limits as defined in the Annexes of Directive 2011/65/EU (RoHS2). Finished electrical and electronic equipment products will be CE marked as required by Directive 2011/65/EU. Components may not be CE marked. Additionally, the part numbers that TE has identified as EU ELV compliant have a maximum concentration of 0.1% by weight in homogenous materials for lead, hexavalent chromium, and mercury, and 0.01% for cadmium, or qualify for an exemption to these limits as defined in the Annexes of Directive 2000/53/EC (ELV). Regarding the REACH Regulation, the information TE provides on SVHC in articles for this part number is based on the latest European Chemicals Agency (ECHA) 'Guidance on requirements for substances in articles' posted at this URL: <https://echa.europa.eu/guidance-documents/guidance-on-reach>

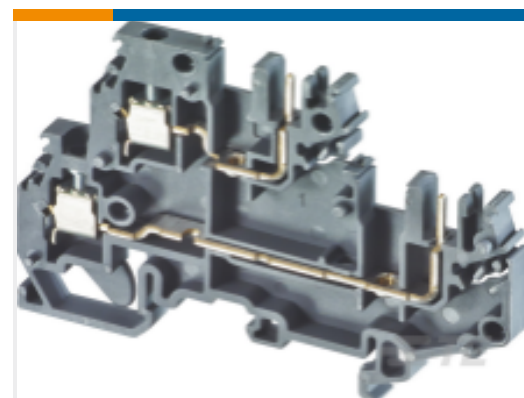
Compatible Parts



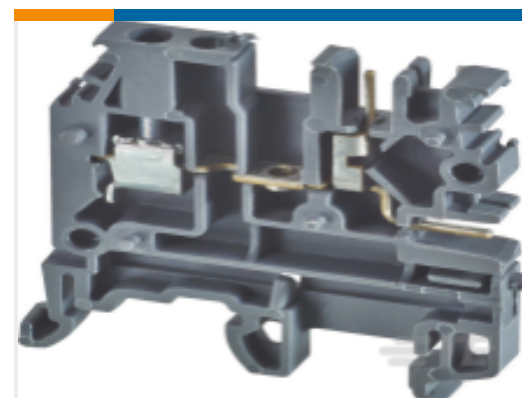
TE Part # 1SNA125711R1500
MA2.5/5-2CPE



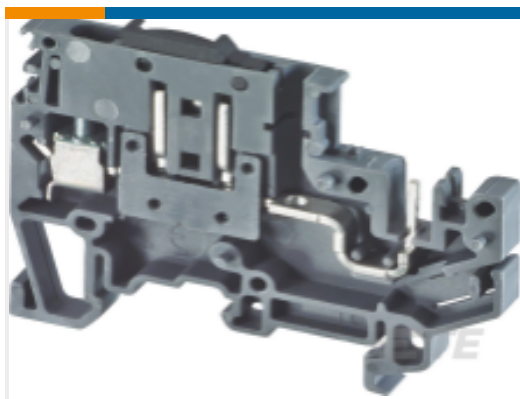
TE Part # 1SNA125961R1000
MA2.5/5.D2-2CPE



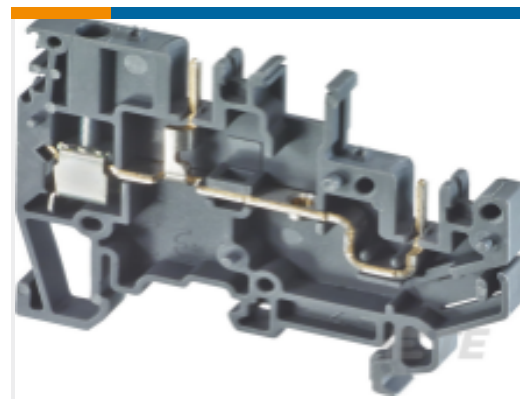
TE Part # 1SNA400813R0000
MA2.5/5.D2-2CPE



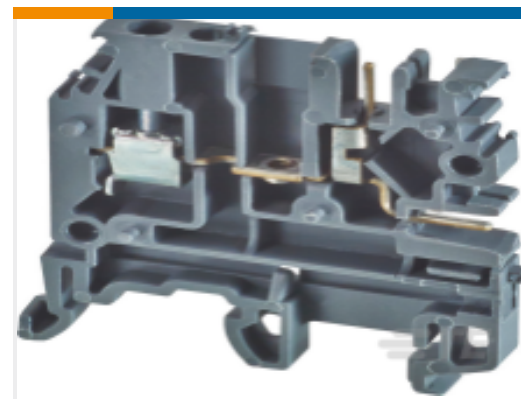
TE Part # 1SNA400814R0000
MA2.5/5-CPE



TE Part # 1SNA400815R0000
MA2.5/5-SNB-CPE



TE Part # 1SNA400817R0000
MA2.5/5-2CPE



TE Part # 1SNA400822R0000
MA2.5/5-CPE.1

Customers Also Bought



TE Part #1SNK505010R0000
ZS4



TE Part #1SNK505910R0000
ES4



TE Part #1SNK508410R0000
ZS4-SF1



TE Part #1SNK508960R0000
ES4-SF



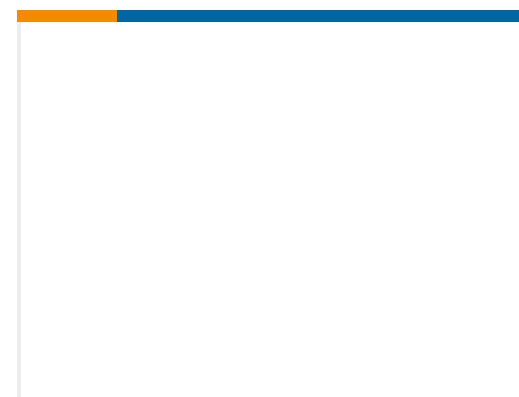
TE Part #1SNK905310R0000
JB5-10



TE Part #1SNA399903R0200
BADL



TE Part #1SNA094308R0700
CPFT2/8



TE Part #1SNA094309R0000
CPFT2/9



TE Part #1SNA168410R0700
RTM7



TE Part #1SNA400826R0000
FE2CPE

Documents

Datasheets & Catalog Pages

[CPFT2/10](#)

English

[ENTRELEC Terminal Block - Master Catalog](#)

English

[ENTRELEC Terminal Blocks Catalogue \(RUS\)](#)