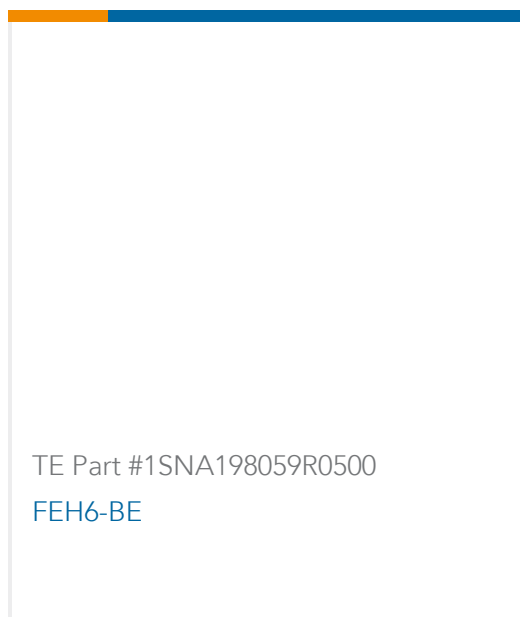
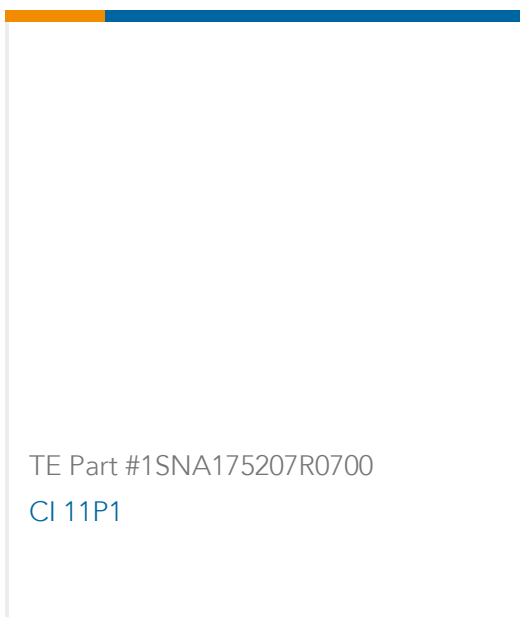
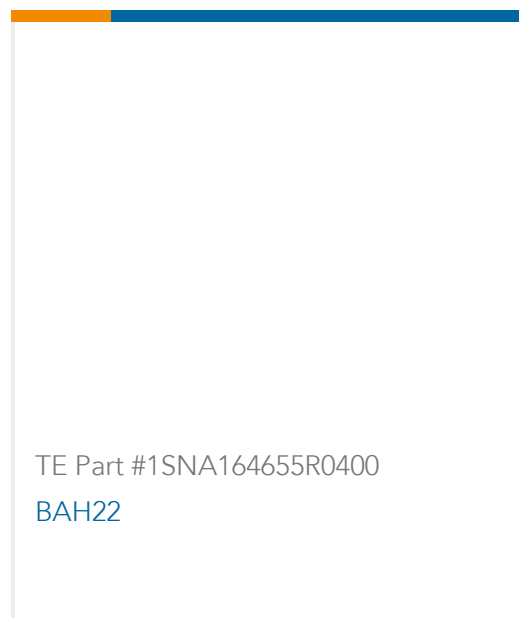
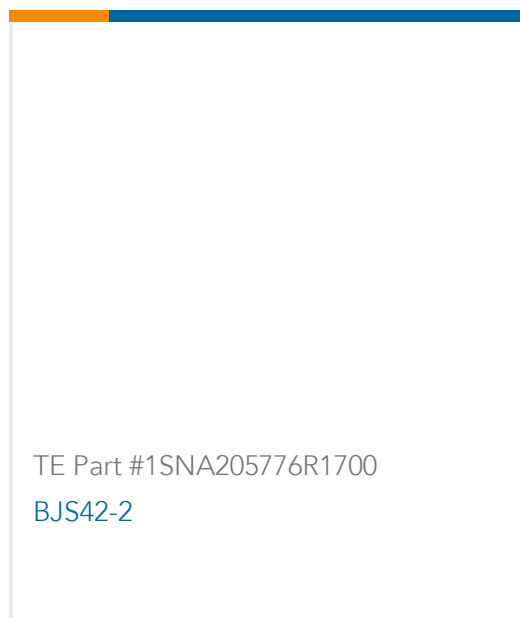
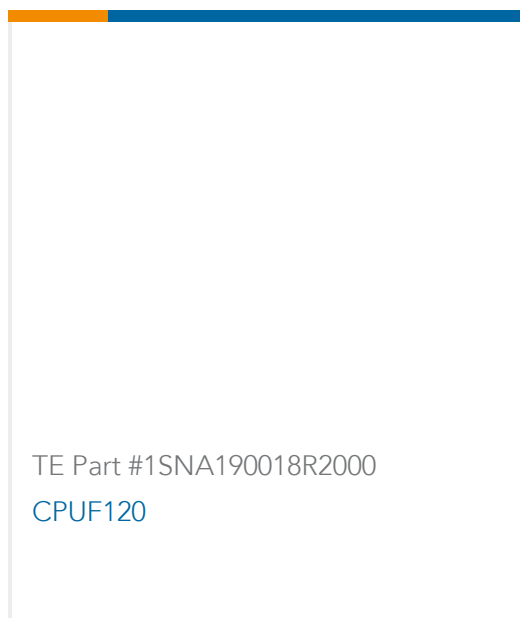
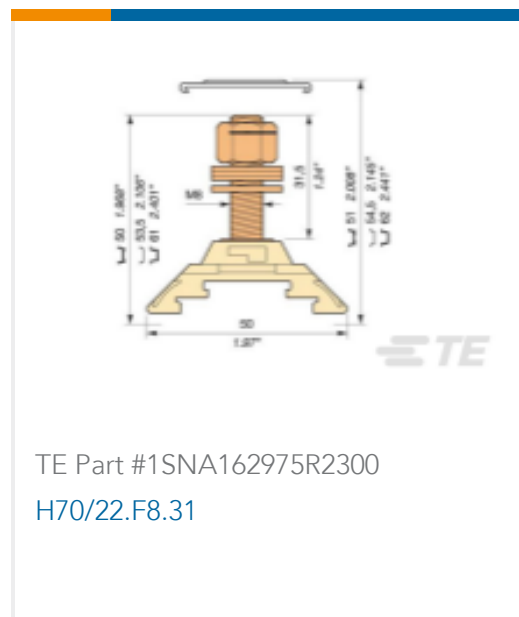


Customers Also Bought



Documents

Product Drawings

[H120/30.F10.31](#)

English

CAD Files

[3D PDF](#)

[3D](#)

[Customer View Model](#)

[ENG_CVM_CVM_1SNA162996R1100_A.2d_dxf.zip](#)



English

Customer View Model

[ENG_CVM_CVM_1SNA162996R1100_A.3d_igs.zip](#)

English

Customer View Model

[ENG_CVM_CVM_1SNA162996R1100_A.3d_stp.zip](#)

English

By downloading the CAD file I accept and agree to the [Terms and Conditions](#) of use.

Datasheets & Catalog Pages

[H120/30.F10.31](#)

English