

1SNA176059R0600 ✓ ACTIVE

ENTRELEC | ENTRELEC Miniblocks

TE Internal #: 1SNA176059R0600

Terminal Block & Strip Conducting Accessories, Jumper Bar, 10 Pole, Product Spacing .197 in [5 mm], DIN Rail, ENTRELEC Miniblocks

[View on TE.com >](#)



Connectors > Terminal Blocks & Strips > Terminal Block & Strip Accessories > Terminal Block & Strip Conducting Accessories



Conducting Accessory Type: **Jumper Bar**

Number of Poles: **10**

Product Spacing: **5 mm [.197 in]**

Contact Current Rating (Max): **24 A**

Connector Mounting Type: **DIN Rail**

Features

Product Type Features

| | |
|---------------------------|------------|
| Conducting Accessory Type | Jumper Bar |
|---------------------------|------------|

Configuration Features

| | |
|---------------------------|----|
| Number of Available Poles | 10 |
| Number of Poles | 10 |

Body Features

| | |
|----------------|------|
| Product Weight | 11 g |
|----------------|------|

Contact Features

| | |
|------------------------------|------|
| Contact Current Rating (Max) | 24 A |
|------------------------------|------|

Mechanical Attachment

| | |
|-------------------------|----------|
| Connector Mounting Type | DIN Rail |
|-------------------------|----------|

Dimensions

| | |
|-----------------|-------------------|
| Product Width | 6 mm[.236 in] |
| Product Length | 49.4 mm[1.945 in] |
| Product Height | 19 mm[.748 in] |
| Product Spacing | 5 mm[.197 in] |

Usage Conditions

| | |
|-----------------------------|----------------------------|
| Operating Temperature Range | -55 – 110 °C[-67 – 230 °F] |
|-----------------------------|----------------------------|



Product Compliance

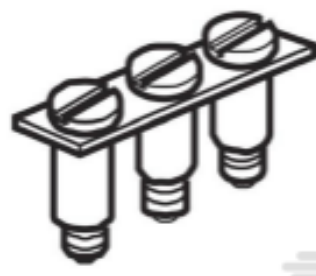
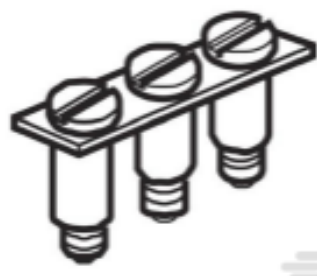
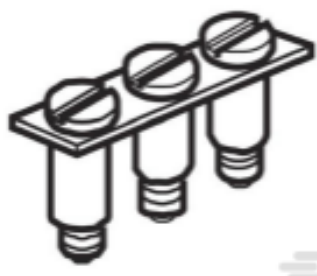
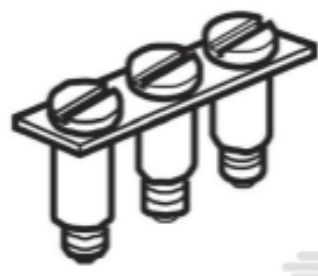
[For compliance documentation, visit the product page on TE.com>](#)

| | |
|---|--|
| EU RoHS Directive 2011/65/EU | Compliant with Exemptions |
| EU ELV Directive 2000/53/EC | Compliant with Exemptions |
| China RoHS 2 Directive MIIT Order No 32, 2016 | Restricted Materials Above Threshold |
| EU REACH Regulation (EC) No. 1907/2006 | <p>Current ECHA Candidate List: JUNE 2022 (224)</p> <p>Candidate List Declared Against: JUNE 2022 (224)</p> <p>SVHC > Threshold: Pb (3.5% in Component Part)</p> <p>Article Safe Usage Statements: Do not eat, drink or smoke when using this product. Wash thoroughly after handling. Recycle if possible and dispose of the article by following all applicable governmental regulations relevant to your geographic location.</p> |
| Halogen Content | Low Halogen - Br, Cl, F, I < 900 ppm per homogenous material. Also BFR/CFR/PVC Free |
| Solder Process Capability | Not reviewed for solder process capability |

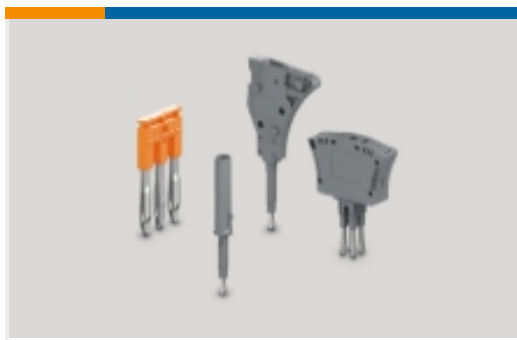
Product Compliance Disclaimer

This information is provided based on reasonable inquiry of our suppliers and represents our current actual knowledge based on the information they provided. This information is subject to change. The part numbers that TE has identified as EU RoHS compliant have a maximum concentration of 0.1% by weight in homogenous materials for lead, hexavalent chromium, mercury, PBB, PBDE, DBP, BBP, DEHP, DIBP, and 0.01% for cadmium, or qualify for an exemption to these limits as defined in the Annexes of Directive 2011/65/EU (RoHS2). Finished electrical and electronic equipment products will be CE marked as required by Directive 2011/65/EU. Components may not be CE marked. Additionally, the part numbers that TE has identified as EU ELV compliant have a maximum concentration of 0.1% by weight in homogenous materials for lead, hexavalent chromium, and mercury, and 0.01% for cadmium, or qualify for an exemption to these limits as defined in the Annexes of Directive 2000/53/EC (ELV). Regarding the REACH Regulation, the information TE provides on SVHC in articles for this part number is based on the latest European Chemicals Agency (ECHA) 'Guidance on requirements for substances in articles' posted at this URL: <https://echa.europa.eu/guidance-documents/guidance-on-reach>

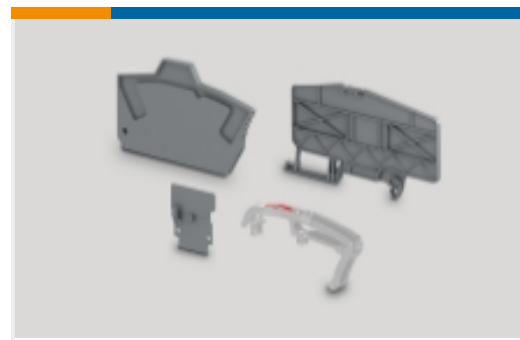
Compatible Parts

| | | | |
|--|--|--|--|
|  <p>TE Part # 1SNA176055R2200 BJM5-DR-2</p> |  <p>TE Part # 1SNA176056R2300 BJM5-DR-3</p> |  <p>TE Part # 1SNA176057R2400 BJM5-DR-4</p> |  <p>TE Part # 1SNA176058R0500 BJM5-DR-5</p> |
|--|--|--|--|

Also in the Series | **ENTRELEC Miniblocks**



Terminal Block & Strip Conducting Accessories(14)



Terminal Block & Strip Insulating Accessories(1)

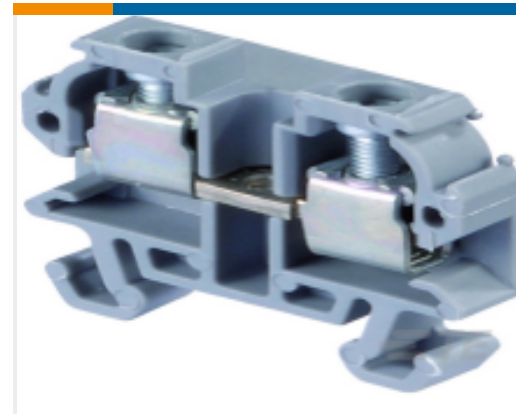
Customers Also Bought



TE Part #1658621-1
10 NOVO MIL/CTR 15DP,LEAD FREE



TE Part #6-1625892-7
3W SM M/OX 5% 68R



TE Part #1SNA112086R0200
DR1.5/5.1

Documents

Product Drawings

[BJM5-DR-10](#)

English

Datasheets & Catalog Pages

[BJM 5 DR 10 POLES](#)

English