

1SNA176227R2300 ✓ ACTIVE

ENTRELEC | ENTRELEC SNA

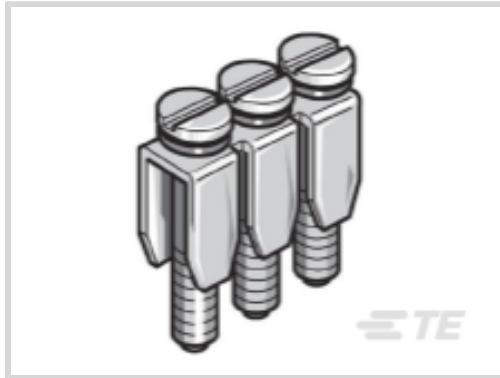
TE Internal #: 1SNA176227R2300

Terminal Block & Strip Conducting Accessories, Jumper Bar, 3 Pole, Product Spacing .197 in [5 mm], DIN Rail, -67 – 230 °F [-55 – 110 °C], ENTRELEC SNA

[View on TE.com >](#)



Connectors > Terminal Blocks & Strips > Terminal Block & Strip Accessories > Terminal Block & Strip Conducting Accessories



Conducting Accessory Type: **Jumper Bar**

Number of Poles: **3**

Product Spacing: **5 mm [.197 in]**

Contact Current Rating (Max): **24 A**

Connector Mounting Type: **DIN Rail**

Features

Product Type Features

Conducting Accessory Type	Jumper Bar
---------------------------	------------

Configuration Features

Number of Available Poles	3
Number of Poles	3

Body Features

Product Weight	3 g
----------------	-----

Contact Features

Contact Current Rating (Max)	24 A
------------------------------	------

Mechanical Attachment

Connector Mounting Type	DIN Rail
-------------------------	----------

Dimensions

Product Width	6 mm[.236 in]
Product Length	14.4 mm[.567 in]
Product Height	19 mm[.748 in]
Product Spacing	5 mm[.197 in]

Usage Conditions

Operating Temperature Range	-55 – 110 °C[-67 – 230 °F]
-----------------------------	----------------------------



Product Compliance

[For compliance documentation, visit the product page on TE.com>](#)

EU RoHS Directive 2011/65/EU	Compliant with Exemptions
EU ELV Directive 2000/53/EC	Compliant with Exemptions
China RoHS 2 Directive MIIT Order No 32, 2016	Restricted Materials Above Threshold
EU REACH Regulation (EC) No. 1907/2006	Current ECHA Candidate List: JUNE 2022 (224) Candidate List Declared Against: JUNE 2022 (224) SVHC > Threshold: Pb (3.5% in Component Part) Article Safe Usage Statements: Do not eat, drink or smoke when using this product. Wash thoroughly after handling. Recycle if possible and dispose of the article by following all applicable governmental regulations relevant to your geographic location.
Halogen Content	Low Halogen - Br, Cl, F, I < 900 ppm per homogenous material. Also BFR/CFR/PVC Free
Solder Process Capability	Not reviewed for solder process capability

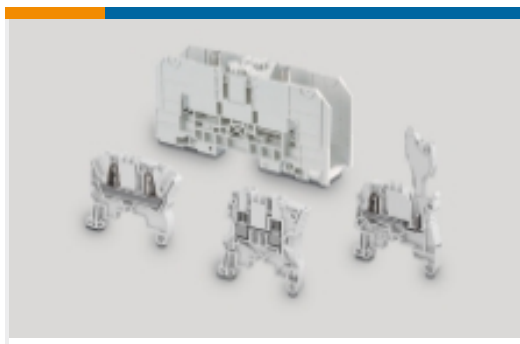
Product Compliance Disclaimer

This information is provided based on reasonable inquiry of our suppliers and represents our current actual knowledge based on the information they provided. This information is subject to change. The part numbers that TE has identified as EU RoHS compliant have a maximum concentration of 0.1% by weight in homogenous materials for lead, hexavalent chromium, mercury, PBB, PBDE, DBP, BBP, DEHP, DIBP, and 0.01% for cadmium, or qualify for an exemption to these limits as defined in the Annexes of Directive 2011/65/EU (RoHS2). Finished electrical and electronic equipment products will be CE marked as required by Directive 2011/65/EU. Components may not be CE marked. Additionally, the part numbers that TE has identified as EU ELV compliant have a maximum concentration of 0.1% by weight in homogenous materials for lead, hexavalent chromium, and mercury, and 0.01% for cadmium, or qualify for an exemption to these limits as defined in the Annexes of Directive 2000/53/EC (ELV). Regarding the REACH Regulation, the information TE provides on SVHC in articles for this part number is based on the latest European Chemicals Agency (ECHA) 'Guidance on requirements for substances in articles' posted at this URL: <https://echa.europa.eu/guidance-documents/guidance-on-reach>

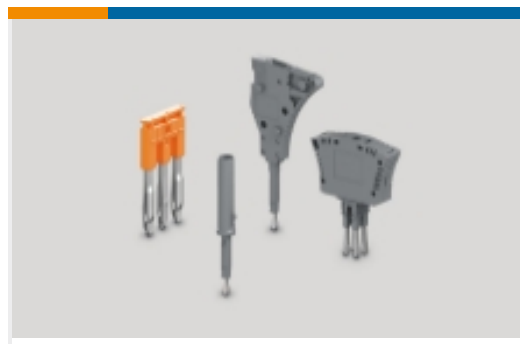
Compatible Parts

 <p>TE Part # 1SNA176226R2200 BJM5D-2</p>	 <p>TE Part # 1SNA176229R0500 BJM5D-5</p>	 <p>TE Part # 1SNA176230R0200 BJM5D-10</p>
--	--	---

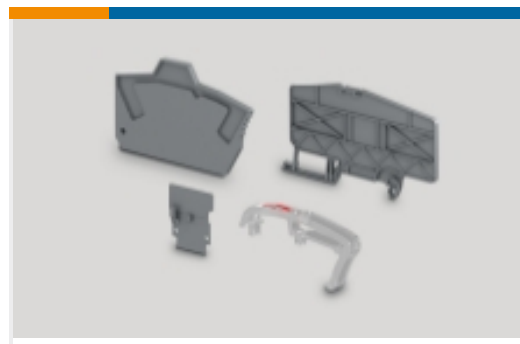
Also in the Series | **ENTRELEC SNA**



Modular Terminal Blocks(182)



Terminal Block & Strip Conducting Accessories(26)

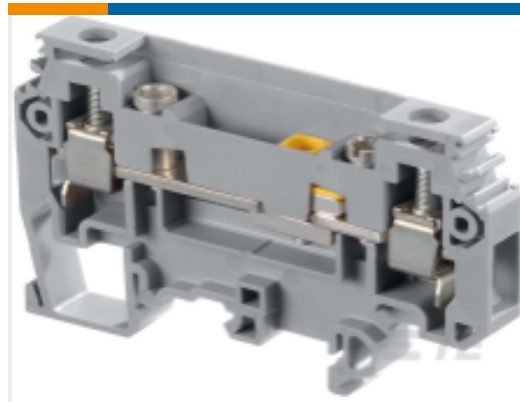


Terminal Block & Strip Insulating Accessories(14)

Customers Also Bought



TE Part #1SNA115166R1100
M4/6.D1



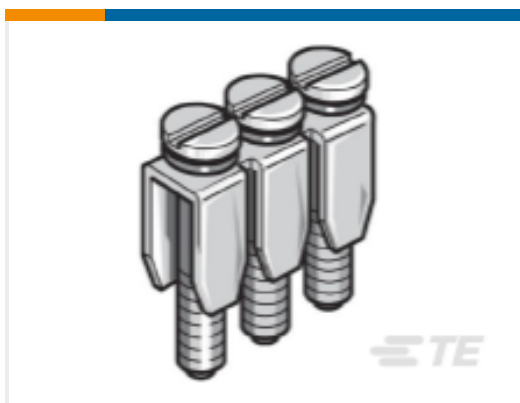
TE Part #1SNA115237R1000
M6/8.ST1



TE Part #1SNA116540R2500
PC8-4



TE Part #1SNA116720R2100
SCMA5D



TE Part #1SNA176229R0500
BJM5D-5



TE Part #1SNA113629R2700
FEMT2



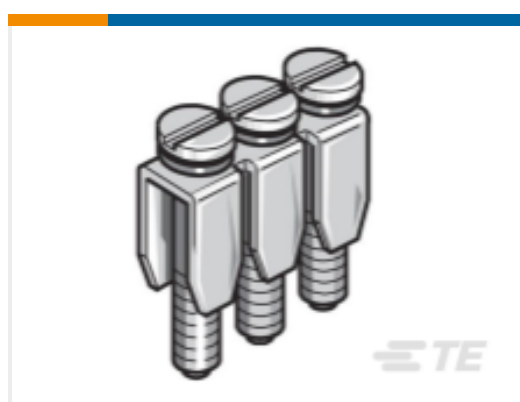
TE Part #1SNA168516R2500
BJM6-2



TE Part #1SNA168517R2600
BJM6-3



TE Part #1SNA168518R0700
BJM6-4



TE Part #1SNA168519R0000
BJM6-5

Documents

Product Drawings

[BJM5D-3](#)

English

Datasheets & Catalog Pages

[BJM5D-3 POLES](#)

English