

1SNA198650R1600 ✓ ACTIVE

ENTRELEC | ENTRELEC SNA

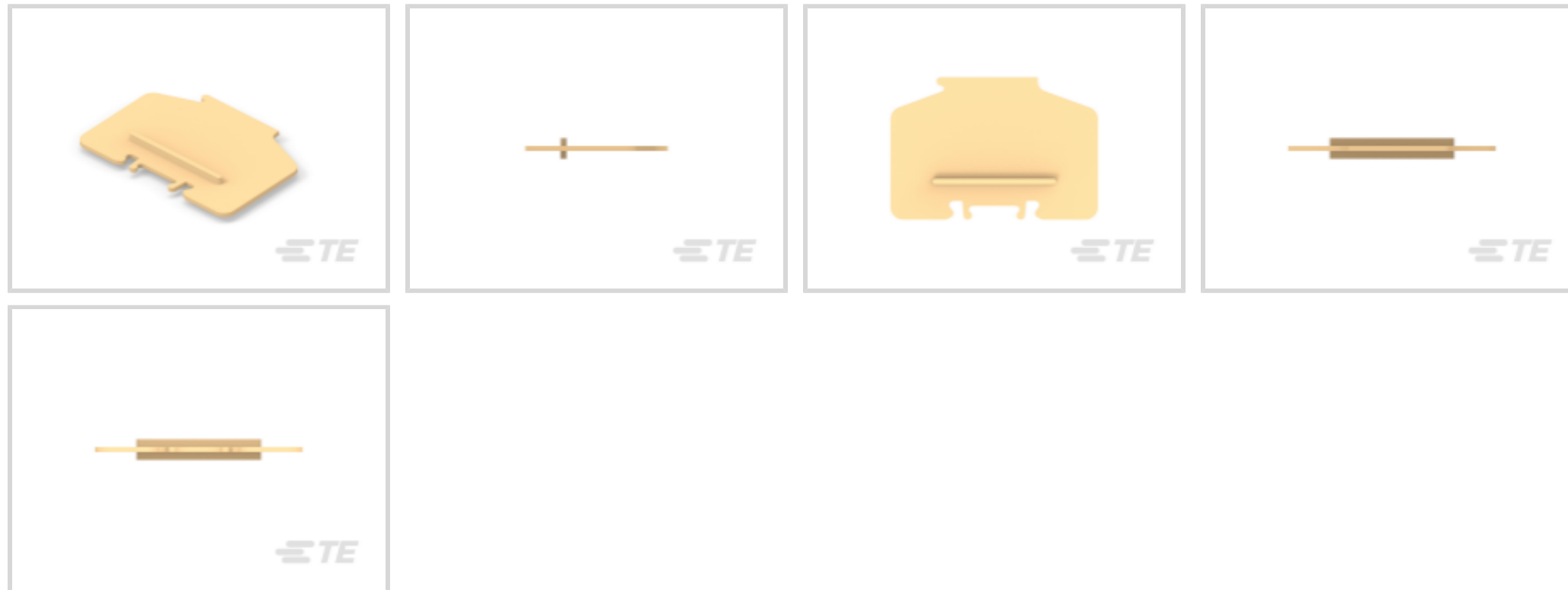
TE Internal #: 1SNA198650R1600

Terminal Block & Strip Insulating Accessories, Circuit Separator,  
Used With Screw Clamp Terminal Blocks, DIN Rail, ENTRELEC SNA

[View on TE.com >](#)



Connectors > Terminal Blocks & Strips > Terminal Block & Strip Accessories > Terminal Block & Strip Insulating Accessories



Insulating Accessory Type: **Circuit Separator**

Compatible With Block or Strip Type: **Screw Clamp Terminal Blocks**

Connector Mounting Type: **DIN Rail**

Operating Temperature Range: **-55 – 110 °C [ -67 – 230 °F ]**

## Features

### Product Type Features

Insulating Accessory Type	Circuit Separator
---------------------------	-------------------

### Mechanical Attachment

Connector Mounting Type	DIN Rail
-------------------------	----------

### Usage Conditions

Operating Temperature Range	-55 – 110 °C [ -67 – 230 °F ]
-----------------------------	-------------------------------

### Operation/Application

Compatible With Block or Strip Type	Screw Clamp Terminal Blocks
-------------------------------------	-----------------------------

## Product Compliance

[For compliance documentation, visit the product page on TE.com>](#)

EU RoHS Directive 2011/65/EU	Compliant
------------------------------	-----------

EU ELV Directive 2000/53/EC	Compliant
-----------------------------	-----------

China RoHS 2 Directive MIIT Order No 32, 2016	No Restricted Materials Above Threshold
---	---

EU REACH Regulation (EC) No. 1907/2006	Current ECHA Candidate List: JUNE 2022 (224)
--	--



Candidate List Declared Against: JUNE 2022 (224)  
Does not contain REACH SVHC

Halogen Content	Low Halogen - Br, Cl, F, I < 900 ppm per homogenous material. Also BFR/CFR/PVC Free
Solder Process Capability	Not reviewed for solder process capability

Product Compliance Disclaimer

This information is provided based on reasonable inquiry of our suppliers and represents our current actual knowledge based on the information they provided. This information is subject to change. The part numbers that TE has identified as EU RoHS compliant have a maximum concentration of 0.1% by weight in homogenous materials for lead, hexavalent chromium, mercury, PBB, PBDE, DBP, BBP, DEHP, DIBP, and 0.01% for cadmium, or qualify for an exemption to these limits as defined in the Annexes of Directive 2011/65/EU (RoHS2). Finished electrical and electronic equipment products will be CE marked as required by Directive 2011/65/EU. Components may not be CE marked. Additionally, the part numbers that TE has identified as EU ELV compliant have a maximum concentration of 0.1% by weight in homogenous materials for lead, hexavalent chromium, and mercury, and 0.01% for cadmium, or qualify for an exemption to these limits as defined in the Annexes of Directive 2000/53/EC (ELV). Regarding the REACH Regulation, the information TE provides on SVHC in articles for this part number is based on the latest European Chemicals Agency (ECHA) 'Guidance on requirements for substances in articles' posted at this URL: <https://echa.europa.eu/guidance-documents/guidance-on-reach>

### Compatible Parts

TE Part # 1SNA162984R1500  
H16/12.F5

TE Part # 1SNA192856R1300  
H6/10.2G.2G

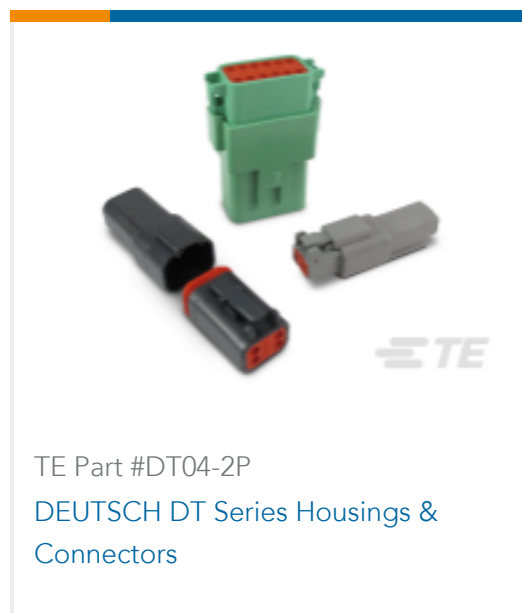
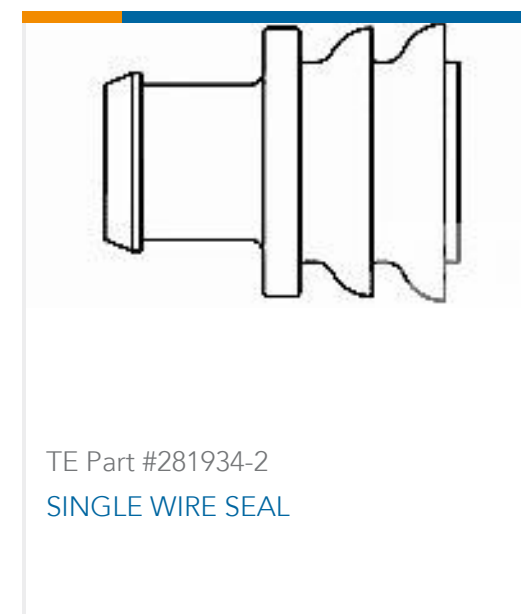
### Also in the Series | ENTRELEC SNA

Modular Terminal Blocks(182)

Terminal Block & Strip Conducting Accessories(26)

Terminal Block & Strip Insulating Accessories(14)

### Customers Also Bought



## Documents

### CAD Files

3D PDF

3D

Customer View Model

[ENG\\_CVM\\_CVM\\_1SNA198650R1600\\_A.2d\\_dxf.zip](#)

English

Customer View Model

[ENG\\_CVM\\_CVM\\_1SNA198650R1600\\_A.3d\\_igs.zip](#)

English

Customer View Model

[ENG\\_CVM\\_CVM\\_1SNA198650R1600\\_A.3d\\_stp.zip](#)

English

By downloading the CAD file I accept and agree to the [Terms and Conditions](#) of use.

### Datasheets & Catalog Pages

SCH2

English