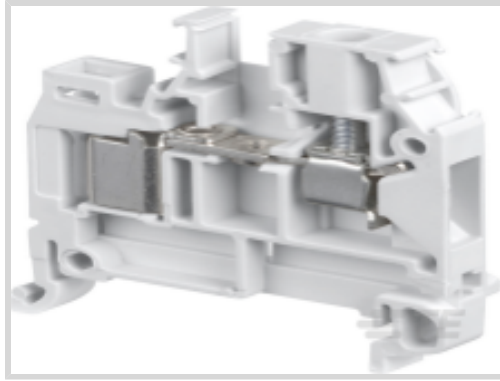


1SNA199064R2300 ✓ ACTIVE

TE Internal #: 1SNA199064R2300

TE Internal Description: D4/6.ADO.2

[View on TE.com >](#)



## Product Compliance

[For compliance documentation, visit the product page on TE.com>](#)

EU RoHS Directive 2011/65/EU	Compliant with Exemptions
EU ELV Directive 2000/53/EC	Compliant with Exemptions
China RoHS 2 Directive MIIT Order No 32, 2016	Restricted Materials Above Threshold
EU REACH Regulation (EC) No. 1907/2006	Current ECHA Candidate List: JUNE 2022 (224) Candidate List Declared Against: JUNE 2022 (224) SVHC > Threshold: Pb (3.5% in Component Part) <b>Article Safe Usage Statements:</b> Do not eat, drink or smoke when using this product. Wash thoroughly after handling. Recycle if possible and dispose of the article by following all applicable governmental regulations relevant to your geographic location.
Halogen Content	Low Halogen - Br, Cl, F, I < 900 ppm per homogenous material. Also BFR/CFR/PVC Free
Solder Process Capability	Not reviewed for solder process capability

### Product Compliance Disclaimer

This information is provided based on reasonable inquiry of our suppliers and represents our current actual knowledge based on the information they provided. This information is subject to change. The part numbers that TE has identified as EU RoHS compliant have a maximum concentration of 0.1% by weight in homogenous materials for lead, hexavalent chromium, mercury, PBB, PBDE, DBP, BBP, DEHP, DIBP, and 0.01% for cadmium, or qualify for an exemption to these limits as defined in the Annexes of Directive 2011/65/EU (RoHS2). Finished electrical and electronic equipment products will be CE marked as required by Directive 2011/65/EU. Components may not be CE marked. Additionally, the part numbers that TE has identified as EU ELV compliant have a maximum concentration of 0.1% by weight in homogenous materials for lead, hexavalent chromium, and mercury, and 0.01% for cadmium, or qualify for an exemption to these limits as defined in the Annexes of Directive 2000/53/EC (ELV). Regarding the REACH Regulation, the information TE provides on SVHC in articles for this part number is based on the latest European Chemicals Agency (ECHA) 'Guidance on requirements for substances in articles' posted at this URL: <https://echa.europa.eu/guidance-documents/guidance-on-reach>

## Compatible Parts



TE Part # 1SNA113546R1400  
PC6-2



TE Part # 1SNA113548R2600  
PC6-10



TE Part # 1SNA116536R0500  
PC6-3



TE Part # 1SNA116537R0600  
PC6-4



TE Part # 1SNA173059R0300  
DCJ



TE Part # 1SNA233000R0100  
RC610

TE Part # 1SNA007865R2600  
FC2

TE Part # 1SNA113550R2400  
EIP

TE Part # 1SNA114205R2000  
AD2.5

TE Part # 1SNA178745R1400  
CBM5

TE Part # 1SNA178944R0400  
OUPAD

TE Part # 1SNA179466R0600  
OUMAD

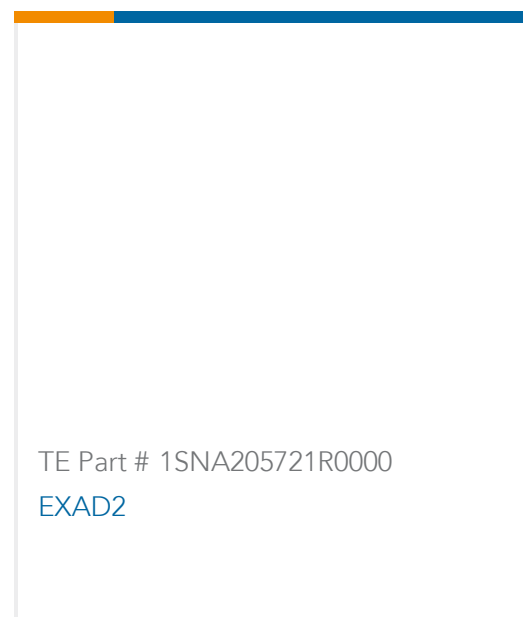
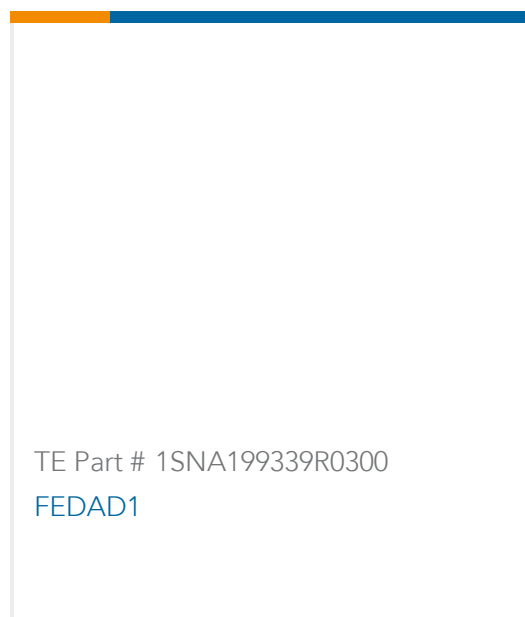
TE Part # 1SNA205284R0300  
OUTA

TE Part # 1SNA399903R0200  
BADL

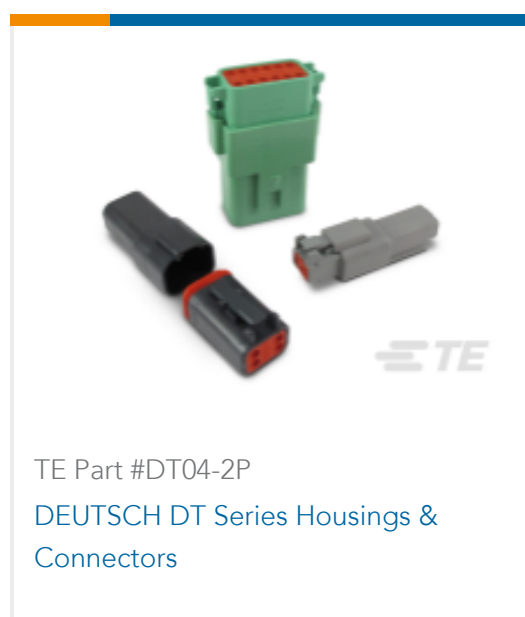
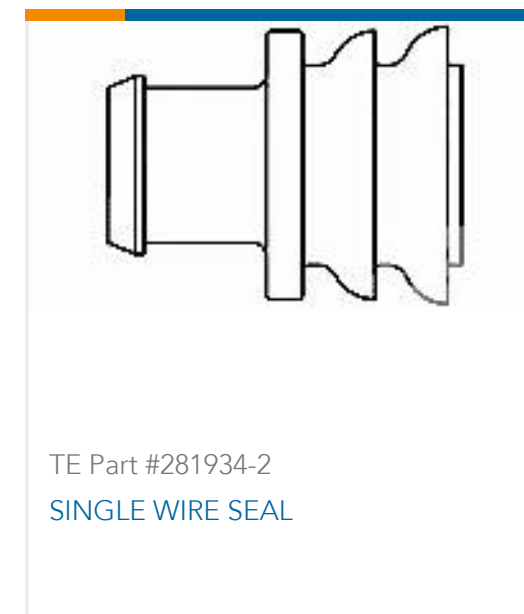


TE Part # 1SNA178746R1500  
CBM8

TE Part # 1SNA199336R2000  
FEDAD1



## Customers Also Bought



## Documents

### Datasheets & Catalog Pages

[D4/6.ADO.2](#)

English

[ENTRELEC Terminal Block - Master Catalog](#)

English

[ENTRELEC Terminal Blocks Catalogue \(RUS\)](#)