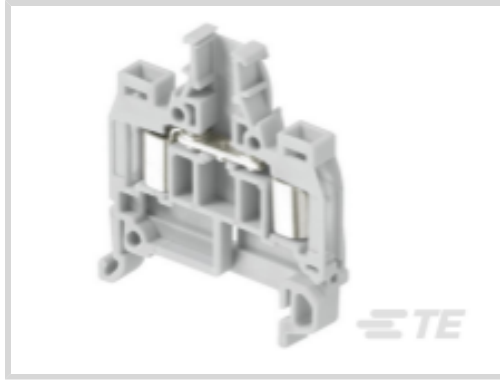


1SNA199565R2600 ✓ ACTIVE

TE Internal #: 1SNA199565R2600

TE Internal Description: D1/5.N.ADO

[View on TE.com >](#)



Product Compliance

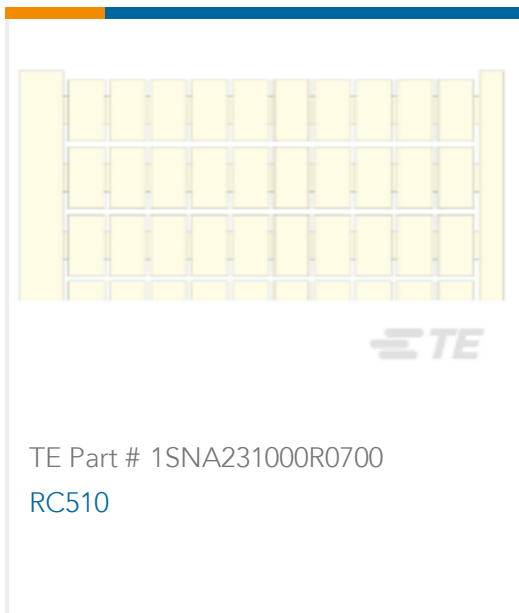
[For compliance documentation, visit the product page on TE.com>](#)

EU RoHS Directive 2011/65/EU	Compliant
EU ELV Directive 2000/53/EC	Compliant
China RoHS 2 Directive MIIT Order No 32, 2016	No Restricted Materials Above Threshold
EU REACH Regulation (EC) No. 1907/2006	Current ECHA Candidate List: JUNE 2022 (224) Candidate List Declared Against: JUNE 2022 (224) Does not contain REACH SVHC
Halogen Content	Low Halogen - Br, Cl, F, I < 900 ppm per homogenous material. Also BFR/CFR/PVC Free
Solder Process Capability	Not reviewed for solder process capability

Product Compliance Disclaimer

This information is provided based on reasonable inquiry of our suppliers and represents our current actual knowledge based on the information they provided. This information is subject to change. The part numbers that TE has identified as EU RoHS compliant have a maximum concentration of 0.1% by weight in homogenous materials for lead, hexavalent chromium, mercury, PBB, PBDE, DBP, BBP, DEHP, DIBP, and 0.01% for cadmium, or qualify for an exemption to these limits as defined in the Annexes of Directive 2011/65/EU (RoHS2). Finished electrical and electronic equipment products will be CE marked as required by Directive 2011/65/EU. Components may not be CE marked. Additionally, the part numbers that TE has identified as EU ELV compliant have a maximum concentration of 0.1% by weight in homogenous materials for lead, hexavalent chromium, and mercury, and 0.01% for cadmium, or qualify for an exemption to these limits as defined in the Annexes of Directive 2000/53/EC (ELV). Regarding the REACH Regulation, the information TE provides on SVHC in articles for this part number is based on the latest European Chemicals Agency (ECHA) 'Guidance on requirements for substances in articles' posted at this URL: <https://echa.europa.eu/guidance-documents/guidance-on-reach>

Compatible Parts



TE Part # 1SNA231000R0700
RC510

TE Part # 1SNA007865R2600
FC2

TE Part # 1SNA163046R2400
AL2

TE Part # 1SNA176278R1600
BJMI5-2

TE Part # 1SNA176279R1700
BJMI5-3

TE Part # 1SNA176280R0500
BJMI5-4

TE Part # 1SNA176281R2200
BJMI5-5

TE Part # 1SNA176282R2300
BJMI5-10

TE Part # 1SNA178745R1400
CBM5

TE Part # 1SNA178944R0400
OUPAD

TE Part # 1SNA179466R0600
OUMAD

TE Part # 1SNA205284R0300
OUTA

TE Part # 1SNA399903R0200
BADL

TE Part # 1SNA168629R1600
EV5



TE Part # 1SNA177652R0600
BJSS-20



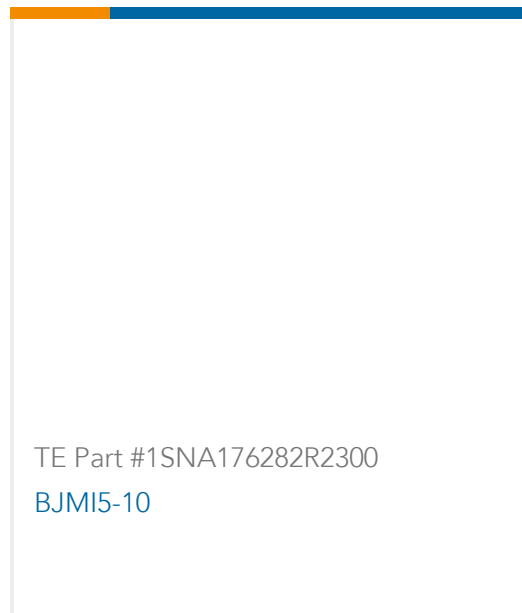
TE Part # 1SNA178746R1500
CBM8

TE Part # 1SNA199341R0500
FEMAD3

TE Part # 1SNA199551R2000
SCAD5

TE Part # 1SNA205721R0000
EXAD2

Customers Also Bought



Documents

Datasheets & Catalog Pages

[D1/5.N.ADO](#)

English

[ENTRELEC Terminal Block - Master Catalog](#)

English

[ENTRELEC Terminal Blocks Catalogue \(RUS\)](#)