

1SNA206235R0200 ✓ ACTIVE

ENTRELEC | ENTRELEC AMS600/300 Plotter

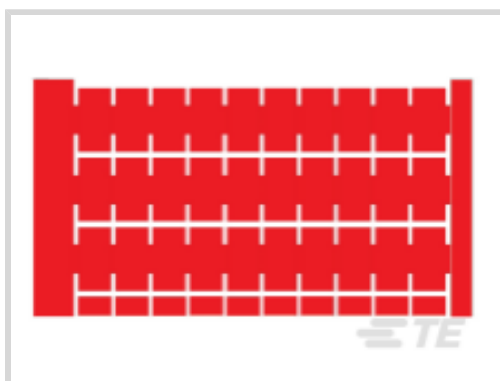
TE Internal #: 1SNA206235R0200

Terminal Block & Strip Marking Accessories, Marker Card, Red, 131 – 230 °F [55 – 110 °C], UL 94V-2, ENTRELEC AMS600/300 Plotter

[View on TE.com >](#)



Connectors > Terminal Blocks & Strips > Terminal Block & Strip Accessories > Terminal Block & Strip Marking Accessories



Marking Product Type: **Marker Card**

Primary Product Color: **Red**

Operating Temperature Range: **55 – 110 °C [131 – 230 °F]**

UL Flammability Rating: **UL 94V-2**

Features

Product Type Features

Marking Product Type	Marker Card
----------------------	-------------

Body Features

Primary Product Color	Red
-----------------------	-----

Usage Conditions

Operating Temperature Range	55 – 110 °C[131 – 230 °F]
-----------------------------	---------------------------

Printer/Label Features

Label Material	Polyamide
----------------	-----------

Industry Standards

UL Flammability Rating	UL 94V-2
------------------------	----------

Product Compliance

[For compliance documentation, visit the product page on TE.com>](#)

EU RoHS Directive 2011/65/EU	Compliant
EU ELV Directive 2000/53/EC	Compliant
China RoHS 2 Directive MIIT Order No 32, 2016	No Restricted Materials Above Threshold
EU REACH Regulation (EC) No. 1907/2006	Current ECHA Candidate List: JUNE 2022 (224) Candidate List Declared Against: JUNE 2022 (224) Does not contain REACH SVHC

Halogen Content

Low Halogen - Br, Cl, F, I < 900 ppm per homogenous material. Also BFR/CFR/PVC Free

Solder Process Capability

Not reviewed for solder process capability

Product Compliance Disclaimer

This information is provided based on reasonable inquiry of our suppliers and represents our current actual knowledge based on the information they provided. This information is subject to change. The part numbers that TE has identified as EU RoHS compliant have a maximum concentration of 0.1% by weight in homogenous materials for lead, hexavalent chromium, mercury, PBB, PBDE, DBP, BBP, DEHP, DIBP, and 0.01% for cadmium, or qualify for an exemption to these limits as defined in the Annexes of Directive 2011/65/EU (RoHS2). Finished electrical and electronic equipment products will be CE marked as required by Directive 2011/65/EU. Components may not be CE marked. Additionally, the part numbers that TE has identified as EU ELV compliant have a maximum concentration of 0.1% by weight in homogenous materials for lead, hexavalent chromium, and mercury, and 0.01% for cadmium, or qualify for an exemption to these limits as defined in the Annexes of Directive 2000/53/EC (ELV). Regarding the REACH Regulation, the information TE provides on SVHC in articles for this part number is based on the latest European Chemicals Agency (ECHA) 'Guidance on requirements for substances in articles' posted at this URL: <https://echa.europa.eu/guidance-documents/guidance-on-reach>

Compatible Parts



TE Part # 1SNK900001R0000
BAM4



TE Part # 1SNA105055R2400
M6/8.SNB



TE Part # 1SNA105124R1600
M35/16



TE Part # 1SNA105129R2300
M16/12



TE Part # 1SNA105135R1100
M4/8.SF2



TE Part # 1SNA105265R0300
MS4/6



TE Part # 1SNA115124R0700
M35/16



TE Part # 1SNA115129R1400
M16/12



TE Part # 1SNA115265R2400
MS4/6



TE Part # 1SNA115604R2100
M4/8.D2.SF



TE Part # 1SNA115646R2200
M4/8.D2.SFL



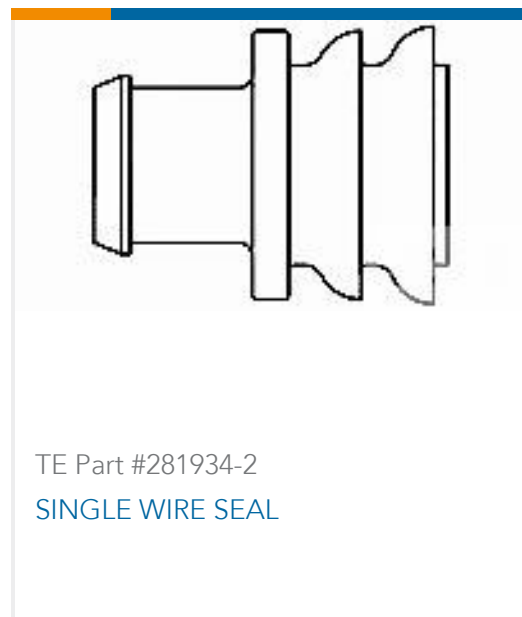
TE Part # 1SNA115657R2500
M4/8.SF



Also in the Series | **ENTRELEC AMS600/300 Plotter**



Customers Also Bought





Documents

CAD Files

3D PDF

3D

Customer View Model

[ENG_CVM_CVM_1SNA206235R0200_A2.2d_dxf.zip](#)

English

Customer View Model

[ENG_CVM_CVM_1SNA206235R0200_A2.3d_stp.zip](#)

English

By downloading the CAD file I accept and agree to the [Terms and Conditions](#) of use.

Datasheets & Catalog Pages

RC 610 VIERGE ROUGE

English

[ENTRELEC Terminal Block - Master Catalog](#)

English

[Brochure - AMS600 and AMS300 Plotter systems and markers](#)

English