



ENTRELEC

TE Internal #: 1SNA231067R2500

Terminal Block & Strip Marking Accessories, Marker Card, 701 ->

800 Mark Details, White, Vertical, UL 94V-2

[View on TE.com >](#)

Connectors > Terminal Blocks & Strips > Terminal Block & Strip Accessories > Terminal Block & Strip Marking Accessories



Marking Product Type: **Marker Card**

Pre-Printed Mark Details: **701 -> 800**

Primary Product Color: **White**

Product Orientation: **Vertical**

UL Flammability Rating: **UL 94V-2**

**Features**

**Product Type Features**

Marking Product Type	Marker Card
----------------------	-------------

**Configuration Features**

Pre-Printed Mark Details	701 -> 800
--------------------------	------------

**Body Features**

Primary Product Color	White
Product Orientation	Vertical

**Industry Standards**

UL Flammability Rating	UL 94V-2
------------------------	----------

**Product Compliance**

[For compliance documentation, visit the product page on TE.com>](#)

EU RoHS Directive 2011/65/EU	Compliant
EU ELV Directive 2000/53/EC	Compliant
China RoHS 2 Directive MIIT Order No 32, 2016	No Restricted Materials Above Threshold
EU REACH Regulation (EC) No. 1907/2006	Current ECHA Candidate List: JUNE 2022 (224) Candidate List Declared Against: JUNE 2022 (224) Does not contain REACH SVHC

Halogen Content	Low Halogen - Br, Cl, F, I < 900 ppm per homogenous material. Also BFR/CFR/PVC Free
Solder Process Capability	Not reviewed for solder process capability

Product Compliance Disclaimer

This information is provided based on reasonable inquiry of our suppliers and represents our current actual knowledge based on the information they provided. This information is subject to change. The part numbers that TE has identified as EU RoHS compliant have a maximum concentration of 0.1% by weight in homogenous materials for lead, hexavalent chromium, mercury, PBB, PBDE, DBP, BBP, DEHP, DIBP, and 0.01% for cadmium, or qualify for an exemption to these limits as defined in the Annexes of Directive 2011/65/EU (RoHS2). Finished electrical and electronic equipment products will be CE marked as required by Directive 2011/65/EU. Components may not be CE marked. Additionally, the part numbers that TE has identified as EU ELV compliant have a maximum concentration of 0.1% by weight in homogenous materials for lead, hexavalent chromium, and mercury, and 0.01% for cadmium, or qualify for an exemption to these limits as defined in the Annexes of Directive 2000/53/EC (ELV). Regarding the REACH Regulation, the information TE provides on SVHC in articles for this part number is based on the latest European Chemicals Agency (ECHA) 'Guidance on requirements for substances in articles' posted at this URL: <https://echa.europa.eu/guidance-documents/guidance-on-reach>

### Compatible Parts



TE Part # 1SNA115486R0300  
MA2.5/5

### Customers Also Bought



TE Part # 1532177-1  
M83513/04-G01N, MCKS-N1-B-51S6G1-18.0



TE Part # 2836167-1  
OCEAN\_2.0\_Applicator-S-045F



TE Part # 2844982-1  
CCII TYPE VI MLTIMATE PIN/SKT 22-18 ASSY



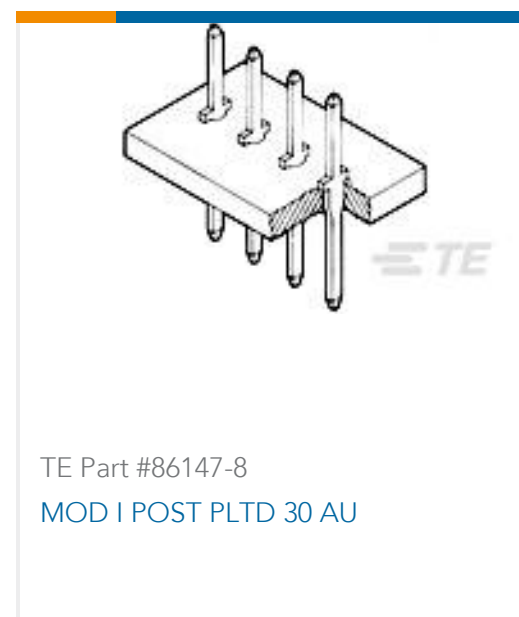
TE Part # 3-1803224-8  
CRIMPER, WIRE F



TE Part # 589597-000  
55A0831-24-9/93/96CS2275



TE Part # 924309-000  
55PC0141-24-2/5/6/9



TE Part # 86147-8  
MOD I POST PLTD 30 AU



TE Part # 225094-1  
N SER BHD JACK WEATHERPROOF



## Documents

### Product Drawings

[RC510 701->800 VERTICAL](#)

English

### CAD Files

[3D PDF](#)

3D

Customer View Model

[ENG\\_CVM\\_CVM\\_1SNA231067R2500\\_A.2d\\_dxf.zip](#)

English

Customer View Model

[ENG\\_CVM\\_CVM\\_1SNA231067R2500\\_A.3d\\_igs.zip](#)

English

Customer View Model

[ENG\\_CVM\\_CVM\\_1SNA231067R2500\\_A.3d\\_stp.zip](#)

English

By downloading the CAD file I accept and agree to the [Terms and Conditions](#) of use.

### Datasheets & Catalog Pages

[RC510 701->800 Vertical](#)

English

[ENTRELEC Terminal Block - Master Catalog](#)

English

[ENTRELEC Terminal Blocks Catalogue \(RUS\)](#)