

1SNA235526R0000 ✓ ACTIVE

ENTRELEC | ENTRELEC HTP600

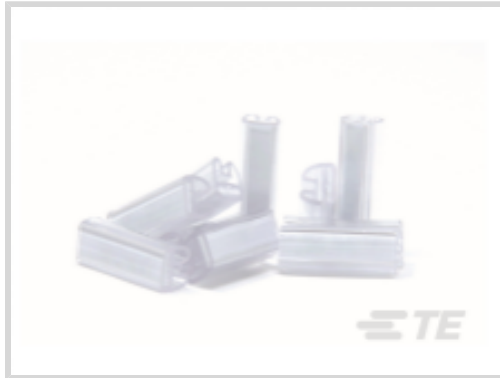
TE Internal #: 1SNA235526R0000

Terminal Block & Strip Marking Accessories, Marker Card, Blank
Mark Details, Transparent, 5 – 158 °F [-15 – 70 °C], UL 94V-0,
ENTRELEC HTP600

[View on TE.com >](#)



Connectors > Terminal Blocks & Strips > Terminal Block & Strip Accessories > Terminal Block & Strip Marking Accessories



Marking Product Type: **Marker Card**

Pre-Printed Mark Details: **Blank**

Primary Product Color: **Transparent**

Operating Temperature Range: **-15 – 70 °C [5 – 158 °F]**

UL Flammability Rating: **UL 94V-0**

Features

Product Type Features

Marking Product Type	Marker Card
----------------------	-------------

Configuration Features

Pre-Printed Mark Details	Blank
--------------------------	-------

Body Features

Primary Product Color	Transparent
-----------------------	-------------

Usage Conditions

Operating Temperature Range	-15 – 70 °C[5 – 158 °F]
-----------------------------	-------------------------

Industry Standards

UL Flammability Rating	UL 94V-0
------------------------	----------

Product Compliance

[For compliance documentation, visit the product page on TE.com>](#)

EU RoHS Directive 2011/65/EU	Compliant
EU ELV Directive 2000/53/EC	Compliant
China RoHS 2 Directive MIIT Order No 32, 2016	No Restricted Materials Above Threshold
EU REACH Regulation (EC) No. 1907/2006	Current ECHA Candidate List: JUNE 2022 (224)



Candidate List Declared Against: JUNE
2022 (224)
Does not contain REACH SVHC

Halogen Content

Not Yet Reviewed for halogen content

Solder Process Capability

Not applicable for solder process capability

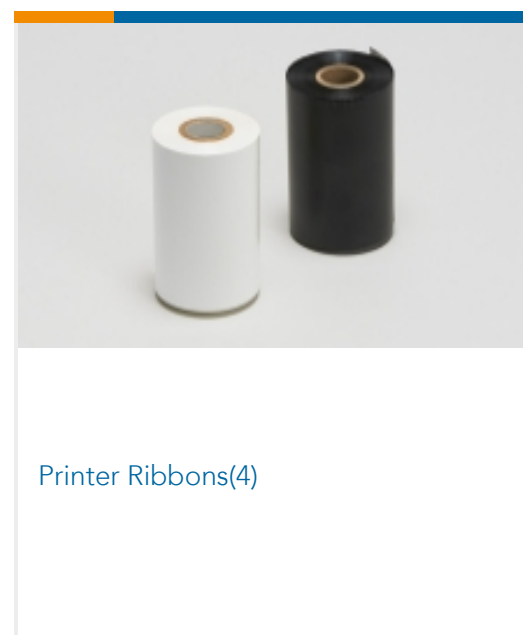
Product Compliance Disclaimer

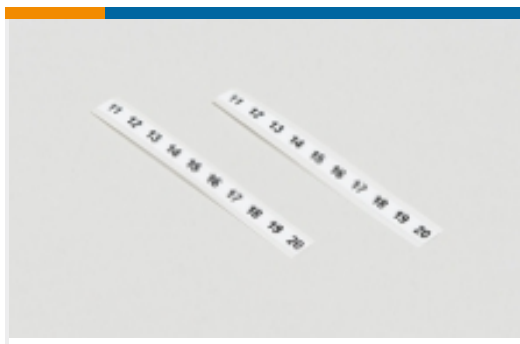
This information is provided based on reasonable inquiry of our suppliers and represents our current actual knowledge based on the information they provided. This information is subject to change. The part numbers that TE has identified as EU RoHS compliant have a maximum concentration of 0.1% by weight in homogenous materials for lead, hexavalent chromium, mercury, PBB, PBDE, DBP, BBP, DEHP, DIBP, and 0.01% for cadmium, or qualify for an exemption to these limits as defined in the Annexes of Directive 2011/65/EU (RoHS2). Finished electrical and electronic equipment products will be CE marked as required by Directive 2011/65/EU. Components may not be CE marked. Additionally, the part numbers that TE has identified as EU ELV compliant have a maximum concentration of 0.1% by weight in homogenous materials for lead, hexavalent chromium, and mercury, and 0.01% for cadmium, or qualify for an exemption to these limits as defined in the Annexes of Directive 2000/53/EC (ELV). Regarding the REACH Regulation, the information TE provides on SVHC in articles for this part number is based on the latest European Chemicals Agency (ECHA) 'Guidance on requirements for substances in articles' posted at this URL: <https://echa.europa.eu/guidance-documents/guidance-on-reach>

Compatible Parts



Also in the Series | ENTRELEC HTP600





Terminal Block & Strip Marking Accessories(115)

Customers Also Bought



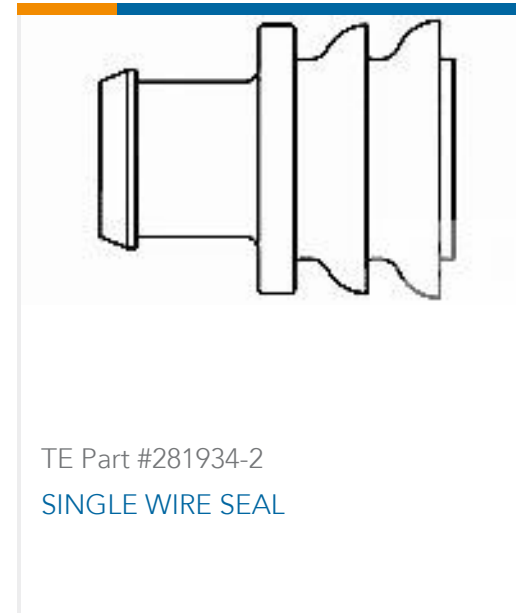
TE Part #W2S
DEUTSCH DT Wedgelocks



TE Part #0460-202-16141
DEUTSCH SOLID CONTACTS



TE Part #282104-1
AMP SUPERSEAL 1.5MM,
CONNECTOR HOUSING



TE Part #281934-2
SINGLE WIRE SEAL



TE Part #DT04-2P
DEUTSCH DT Series Housings &
Connectors



TE Part #114017-ZZ
SEALING PLUG, SIZE 12/16, WHT

Documents

Product Drawings

PM154

English

Datasheets & Catalog Pages

Catalogue - HTP600 Thermal Transfer Printer and Markers

English

Datasheet - Htp600

French

Datasheet - Htp600 Thermal-Transfer-Printer-Marker

English

Datasheet - Htp600 Thermal-Transfer-Printer-Marker

French