

1SNK900104R0000 ✓ ACTIVE

ENTRELEC | ENTRELEC SNK

TE Internal #: 1SNK900104R0000

Terminal Block & Strip Conducting Accessories, Spacer, Dark Gray,

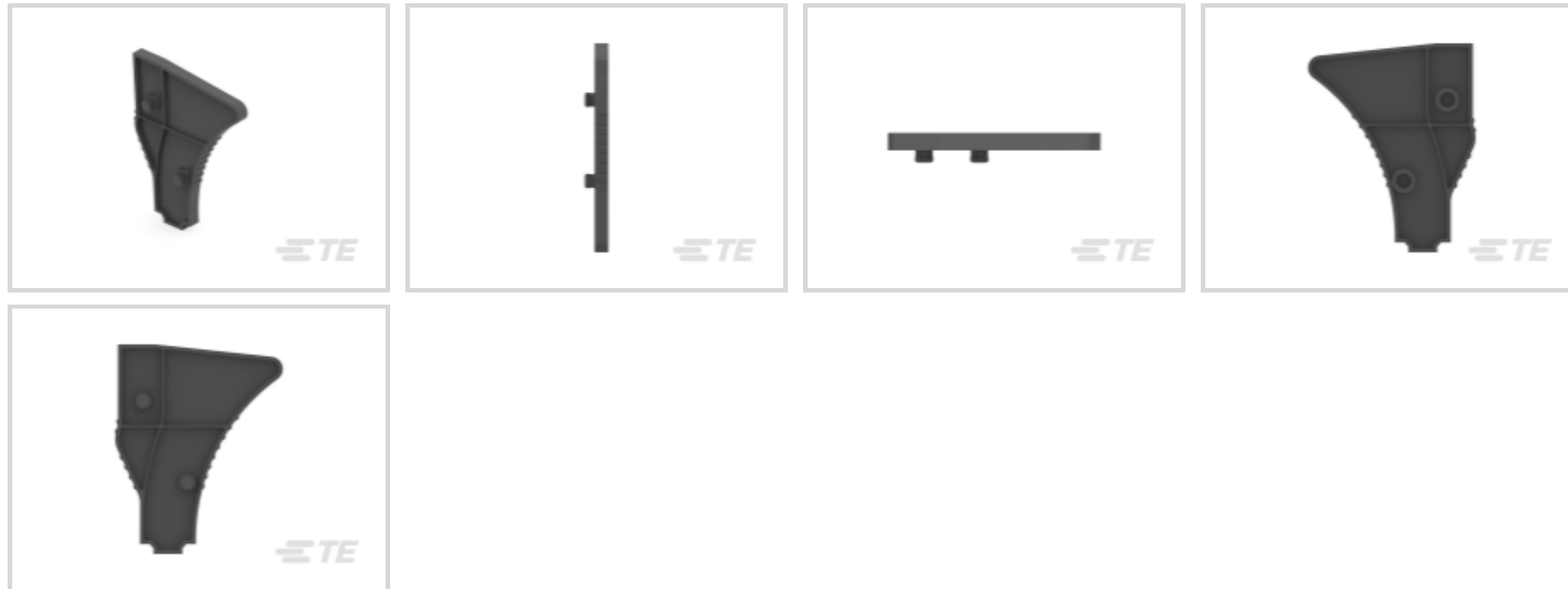
Product Spacing .11 in [2.8 mm], -67 – 230 °F [-55 – 110 °C],

ENTRELEC SNK

[View on TE.com >](#)



Connectors > Terminal Blocks & Strips > Terminal Block & Strip Accessories > Terminal Block & Strip Conducting Accessories



Conducting Accessory Type: **Spacer**

Primary Product Color: **Dark Gray**

Product Spacing: **2.8 mm [.11 in]**

Operating Temperature Range: **-55 – 110 °C [-67 – 230 °F]**

Features

Product Type Features

Conducting Accessory Type	Spacer
---------------------------	--------

Body Features

Plastic & Resin Material Type	Polyamide
Product Weight	1.4 g[.049 oz]
Primary Product Color	Dark Gray

Mechanical Attachment

DIN Rail Mounting Type	G32, TH15-5.5, TH35-15, TH35-7.5
------------------------	----------------------------------

Dimensions

Product Depth	42.5 mm[1.673 in]
Product Width	2.8 mm[.111 in]
Product Height	34.2 mm[1.346 in]
Product Spacing	2.8 mm[.11 in]

Usage Conditions

Storage Temperature Range	-55 – 110 °C[-67 – 230 °F]
---------------------------	----------------------------



Installation Temperature Range	-5 – 40 °C[23 – 104 °F]
Operating Temperature Range	-55 – 110 °C[-67 – 230 °F]

Industry Standards

IP Rating	IP20
-----------	------

Product Compliance

[For compliance documentation, visit the product page on TE.com>](#)

EU RoHS Directive 2011/65/EU	Compliant
EU ELV Directive 2000/53/EC	Compliant
China RoHS 2 Directive MIIT Order No 32, 2016	No Restricted Materials Above Threshold
EU REACH Regulation (EC) No. 1907/2006	Current ECHA Candidate List: JUNE 2022 (224) Candidate List Declared Against: JUNE 2022 (224) Does not contain REACH SVHC
Halogen Content	Low Halogen - Br, Cl, F, I < 900 ppm per homogenous material. Also BFR/CFR/PVC Free
Solder Process Capability	Not reviewed for solder process capability

Product Compliance Disclaimer

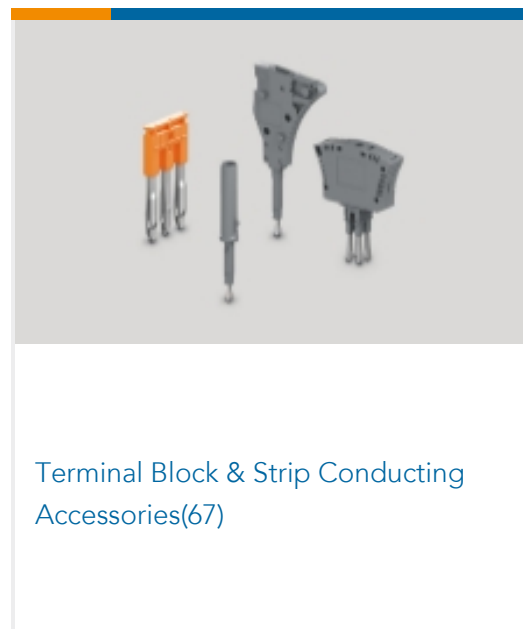
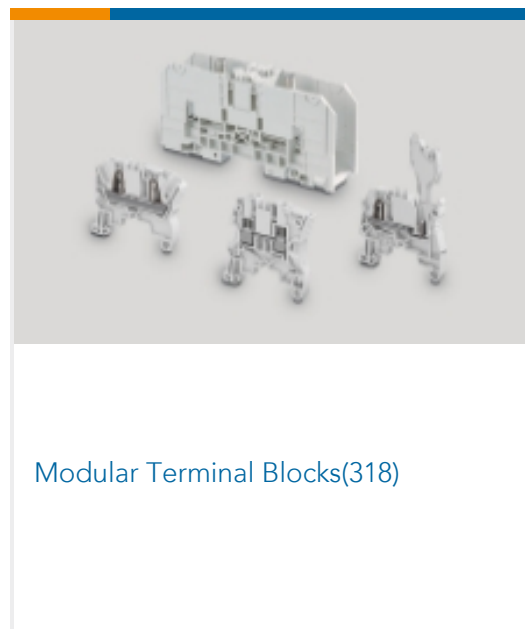
This information is provided based on reasonable inquiry of our suppliers and represents our current actual knowledge based on the information they provided. This information is subject to change. The part numbers that TE has identified as EU RoHS compliant have a maximum concentration of 0.1% by weight in homogenous materials for lead, hexavalent chromium, mercury, PBB, PBDE, DBP, BBP, DEHP, DIBP, and 0.01% for cadmium, or qualify for an exemption to these limits as defined in the Annexes of Directive 2011/65/EU (RoHS2). Finished electrical and electronic equipment products will be CE marked as required by Directive 2011/65/EU. Components may not be CE marked. Additionally, the part numbers that TE has identified as EU ELV compliant have a maximum concentration of 0.1% by weight in homogenous materials for lead, hexavalent chromium, and mercury, and 0.01% for cadmium, or qualify for an exemption to these limits as defined in the Annexes of Directive 2000/53/EC (ELV). Regarding the REACH Regulation, the information TE provides on SVHC in articles for this part number is based on the latest European Chemicals Agency (ECHA) 'Guidance on requirements for substances in articles' posted at this URL: <https://echa.europa.eu/guidance-documents/guidance-on-reach>

Compatible Parts

 <p>TE Part # 1SNK508418R0000 ZS10-SF</p>	 <p>TE Part # 1SNK508425R0000 ZS4-D2-SF1</p>	 <p>TE Part # 1SNK900105R0000 ES-TC6</p>	 <p>TE Part # 1SNK508010R0000 ZS10</p>
--	---	---	---



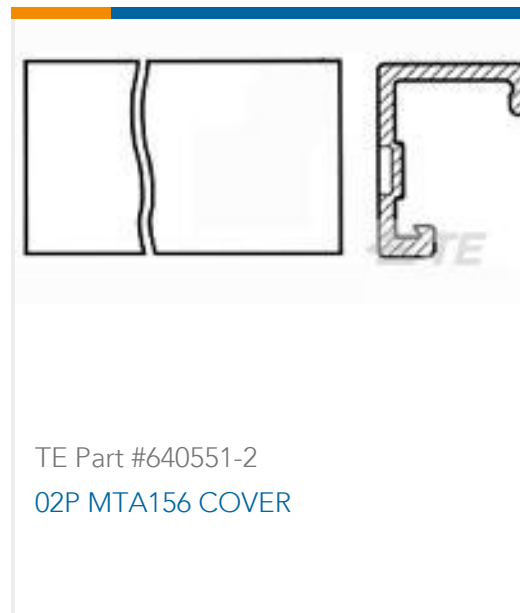
Also in the Series | **ENTRELEC SNK**



Customers Also Bought



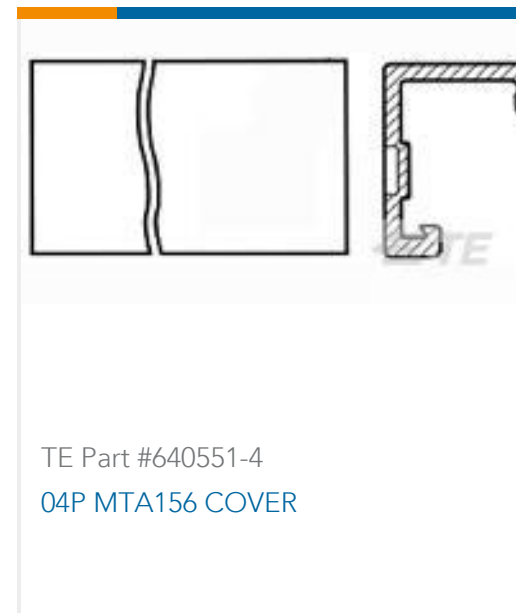
TE Part #3-640427-5
 05P MTA156 CONN ASSY 20AWG YEL



TE Part #640551-2
 02P MTA156 COVER



TE Part #3-640427-4
 04P MTA156 CONN ASSY 20AWG YEL



TE Part #640551-4
 04P MTA156 COVER



TE Part #1SNK505010R0000
 ZS4



TE Part #1SNK505150R0000
 ZS4-PE



TE Part #1SNK505910R0000
 ES4



TE Part #1SNK900001R0000
 BAM4



TE Part #1SNK900200R0000
 TC5



TE Part #1SNK900201R0000
 TC5-R1

Documents

CAD Files

3D PDF

3D

Customer View Model

[ENG_CVM_CVM_1SNK900104R0000_A.2d_dxf.zip](#)

English

Customer View Model

[ENG_CVM_CVM_1SNK900104R0000_A.3d_igs.zip](#)

English

Customer View Model

[ENG_CVM_CVM_1SNK900104R0000_A.3d_stp.zip](#)

English

By downloading the CAD file I accept and agree to the [Terms and Conditions](#) of use.

Datasheets & Catalog Pages

[ENTRELEC Terminal Block - Master Catalog](#)

English

[ES-TC8](#)

English

1SNK900104R0000

Terminal Block & Strip Conducting Accessories, Spacer, Dark Gray, Product Spacing .
11 in [2.8 mm], -67 – 230 °F [-55 – 110 °C], ENTRELEC SNK



[SNK SERIES TERMINAL BLOCKS](#)

[English](#)

[ENTRELEC Terminal Blocks Catalogue \(RUS\)](#)