

DS-3E0318P-E/M(B)

16-Port 100 Mbps Long-Range Unmanaged PoE Switch

DS-3E0318P-E/M(B) switch is a layer 2 long-range PoE switch, providing 16 × 100 Mbps PoE ports, 1 × 1000 Mbps RJ45 port, and 1 × 1000 Mbps SFP fiber optical port. The switch provides advanced PoE technology and supports extend mode with long-range access up to 300 m. The prior and stable transmission of the important surveillance area videos can also be guaranteed when connected to the high priority ports. The switch is reliable, easy to install and maintain, and equipped with rapid switching functions. With multiple access ports, it is applicable for access or aggregation and upload of small-scale LAN devices.



Intelligent PoE 300 m Transmission 8-Core Power Supply 6 KV Surge Protection High Priority Ports

Feature and Function

Intelligent PoE Management.

- When the power supply exceeds the limit, PoE ports intelligently manage the power supply, which extends the switch lifetime.

Up to 300 m Long Range PoE Transmission.

- The distance between IPCs and switch can reach maximum 300 meters.

4/8-Core Adaptive Power Supply with Less Power Loss.

- 8-core power supply reduces the power loss on cables.

6KV Surge Protection to Improve Reliability in Harsh Environment.

- The built-in surge protection device protects the switch from the sudden lightning surge in harsh environment.

Design for Video Transmission.

- VIP port ensures important data transmission when network congestion occurs.

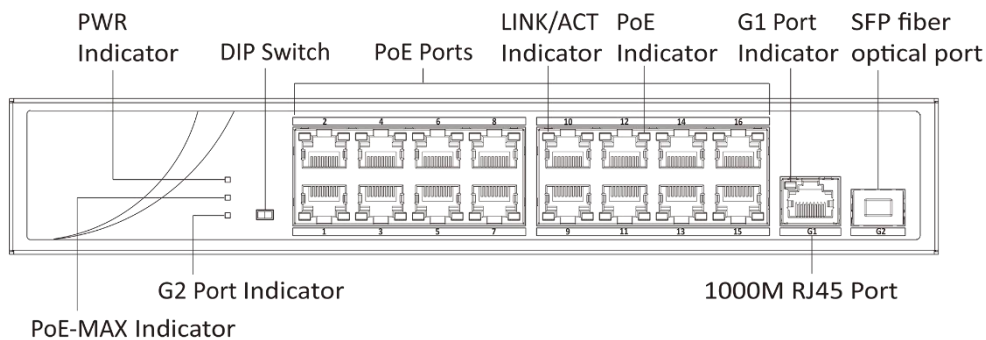


Specification

Model		DS-3E0318P-E/M(B)
Network parameters	Port number	16 × 100 Mbps PoE ports, 1 × 1000 Mbps RJ45 port, and 1 × 1000 Mbps SFP fiber optical port
	Port type	RJ45 port, full duplex, MDI/MDI-X adaptive
	Standard	IEEE 802.3, IEEE 802.3u, IEEE 802.3x
	Forwarding mode	Store-and-forward switching
	Working mode	Standard mode (default); Extend mode
	High priority ports	Ports 1 to 8
	Ports for long-distance transmission	Ports 9 to 16
	MAC address table	4 K
	Switching capacity	7.2 Gbps
	Packet forwarding rate	5.356 Mpps
	Internal cache	2.75 Mbits
	PoE power supply	PoE standard
PoE power pin		Ports for long-distance transmission (9-16) support 8-core power supply, Ethernet cable 1/2/3/6 and 4/5/7/8 provide simultaneous power supply.
		Ports for close-range transmission (1-8) support 4-core power supply, Ethernet cable 1/2/3/6 provide power supply.
PoE port		Ports 1 to 16
Max. port power		30 W
PoE power budget		130 W
Max. power consumption	150 W	
General	Shell	Metal material
	Gross weight	2.58 kg (5.69 lb)
	Net weight	1.8 kg (4.0 lb)
	Dimension (L × H × D)	266 mm × 44.5 mm × 220.8 mm (10.5" × 1.8" × 8.7")
	Operating temperature	-10 °C to 55 °C (14 °F to 131 °F)
	Storage temperature	-40 °C to 85 °C (-40 °F to 185 °F)
	Operating humidity	5% to 95% (no condensation)
	Storage humidity	5% to 95% (no condensation)
	Power supply	100 to 240 VAC, 50/60 Hz, Max. 2.5 A
	Power consumption in idle	20 W
Approval	EMC	FCC (47 CFR Part 15, Subpart B); CE-EMC (EN 55032: 2015, EN 61000-3-2: 2014, EN 61000-3-3: 2013, EN 55024: 2010 +A1: 2015); RCM (AS/NZS CISPR 32: 2015); IC (ICES-003: Issue 6, 2016)
	Safety	UL (UL 60950-1); CB (IEC 60950-1:2005 + Am 1:2009 + Am 2:2013); CE-LVD (EN 60950-1:2005 + Am 1:2009 + Am 2:2013)
	Chemistry	CE-RoHS (2011/65/EU); WEEE (2012/19/EU); Reach (Regulation (EC) No 1907/2006)

Physical Interface

Front panel:



Back panel:



Available Model

- DS-3E0318P-E/M(B)

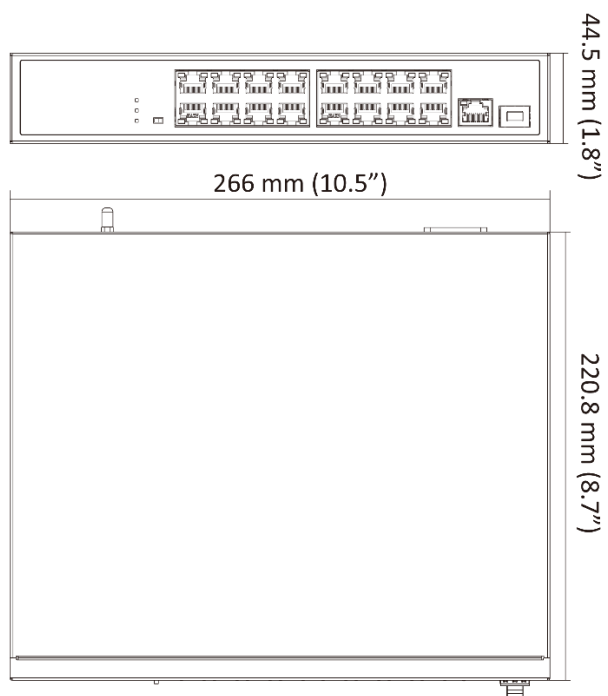
Optional Accessory

SFP Module	Fiber type	Connector	Date Rate	Wavelength	Distance
HK-SFP-1.25G-20-1310	Single fiber, Single-mode	LC	1250 Mbps	Tx1310nm/Rx1550nm	0 to 20 km
HK-SFP-1.25G-20-1550	Single fiber, Single-mode	LC	1250 Mbps	Tx1550nm/Rx1310nm	0 to 20 km
HK-SFP-1.25G-1310-DF-MM	Duplex fiber, Multi-mode	LC	1250 Mbps	Tx1310nm/Rx1310nm	0 to 1 km
HK-SFP-1.25G-20-1310-DF	Duplex fiber, Single-mode	LC	1250 Mbps	Tx1310nm/Rx1310nm	0 to 20 km

NOTE

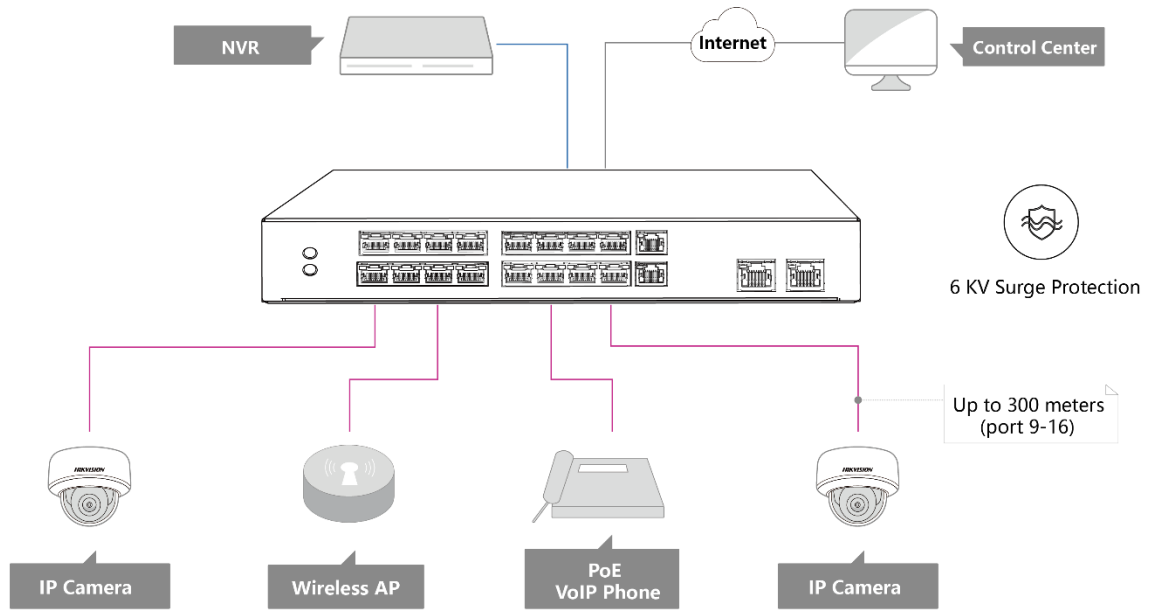
HK-SFP-1.25G-20-1310 has to work with HK-SFP-1.25G-20-1550 as a pair.

Dimension (unit: mm)

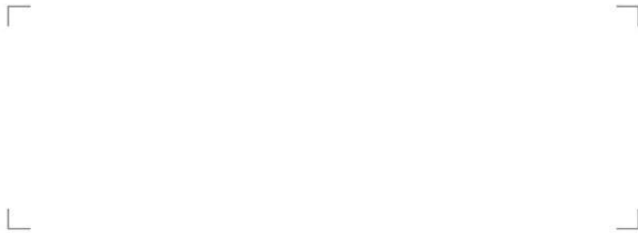


Typical Application

- Data
- Power+Data(PoE)
- Optical Fiber



Distributed by



HIKVISION®

Headquarters

No.555 Qianmo Road, Binjiang District,
Hangzhou 310051, China
T +86-571-8807-5998
overseasbusiness@hikvision.com

Hikvision USA
T +1-909-895-0400
sales.usa@hikvision.com

Hikvision Australia
T +61-2-8599-4233
salesau@hikvision.com

Hikvision India
T +91-22-28469900
sales@pramahikvision.com

Hikvision Canada
T +1-866-200-6690
sales.canada@hikvision.com

Hikvision Thailand
T +662-275-9949
sales.thailand@hikvision.com

Hikvision Europe
T +31-23-5542770
sales.eu@hikvision.com

Hikvision Italy
T +39-0438-6902
info.it@hikvision.com

Hikvision Brazil
T +55 11 3318-0050
Latam.support@hikvision.com

Hikvision Turkey
T +90 (216)521 7070- 7074
sales.tr@hikvision.com

Hikvision Malaysia
T +601-7652-2413
sales.my@hikvision.com

Hikvision UK & Ireland
T +01628-902140
sales.uk@hikvision.com

Hikvision South Africa
Tel: +27 (10) 0351172
sale.africa@hikvision.com

Hikvision France
T +33(0)1-85-330-450
info.fr@hikvision.com

Hikvision Kazakhstan
T +7-727-9730667
nikia.panfilov@hikvision.ru

Hikvision Vietnam
T +84-974270888
sales.vt@hikvision.com

Hikvision UAE
T +971-4-4432090
salesme@hikvision.com

Hikvision Singapore
T +65-6684-4718
sg@hikvision.com

Hikvision Spain
T +34-91-737-16-55
info.es@hikvision.com

Hikvision Tashkent
T +99-87-1238-9438
uzb@hikvision.ru

Hikvision Hong Kong
T +852-2151-1761
info.hk@hikvision.com

Hikvision Russia
T +7-495-669-67-99
saleru@hikvision.com

Hikvision Korea
T +82-(0)31-731-8817
sales.korea@hikvision.com

Hikvision Poland
T +48-22-460-01-50
info.pl@hikvision.com

Hikvision Indonesia
T +62-21-2933759
Sales.Indonesia@hikvision.com

Hikvision Colombia
sales.colombia@hikvision.com