

1 2 3 4

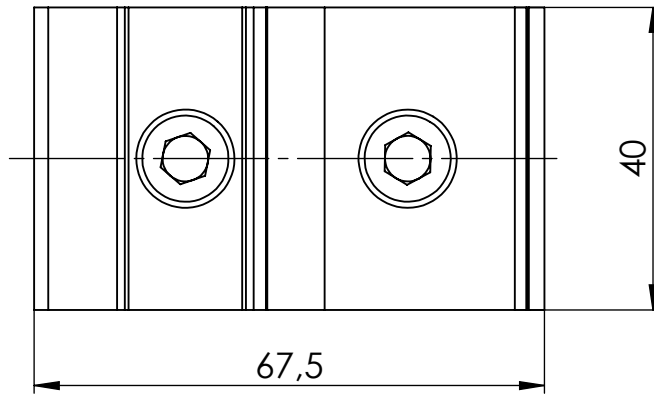
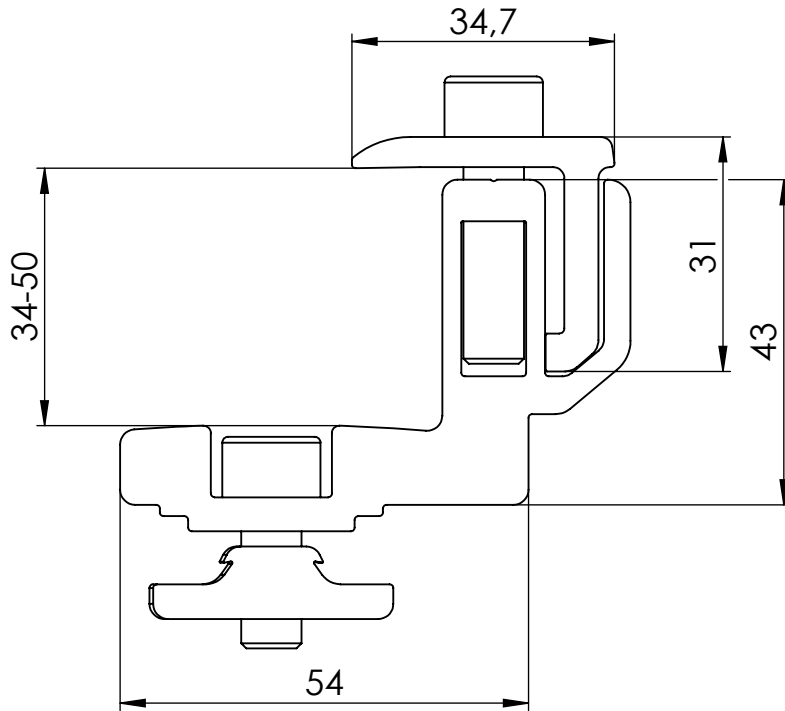
A

B

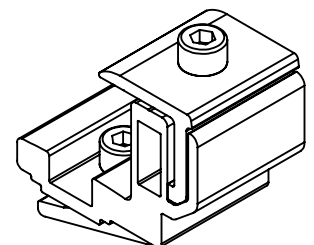
C

D

E



M 1:2



K2 Systems GmbH
 Industriestr. 18
 71272 Renningen
 07159/42059-0

Designation:

Data sheet
 Dome FlexClamp small

F

	Name	Date	Material:	Item no.:	2000773	A4
Designed	M. Wiggers	24.07.2013	EN AW 6063 T66 / A2			
Approved	M. Winterhalter	24.07.2013	Surface: blank	Drawing no.:	07-77-002	All dimensions in mm
Last change	M. Preiß	05.11.2015	Weight: ca. 136,4g/Stck	Scale:	1:1 (1:2)	General tolerances DIN ISO 2768m Sheet 1 of 1

This drawing is the sole property of K2 Systems GmbH. It is protected by copyright and may only be copied, reproduced or distributed to a third party with explicit permission!