

Technical Data:

Number of positions	5 + PE
Number of contacts	6
Contact Ø [mm]	2
Nominal current [A]	18
Nominal voltage [V~]	600
Degree of pollution 3	
Test voltage [V~]	3000
Max. contact resistance [mΩ]	3
Insulation resistance [MΩ]	> 10 ¹³
Protection	IP 67 (connected)
Temperature range (fixed)	-40°C to 90°C
Temperature range (flex)	-25°C to 80°C

Packaging:
The cordsets delivered packed into carton without PE-bag.

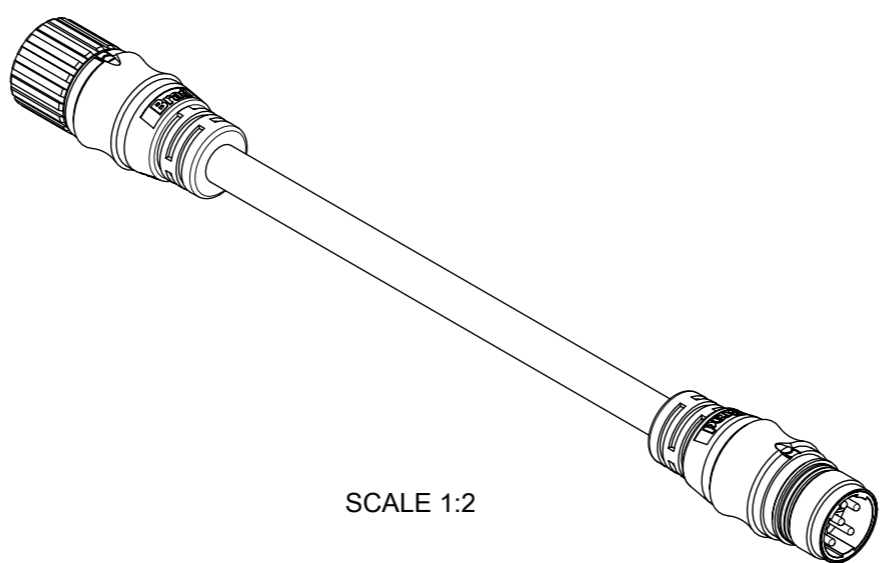
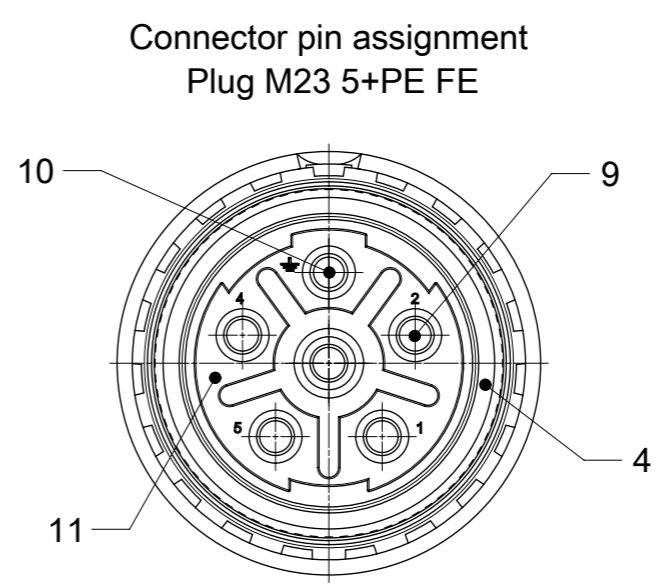
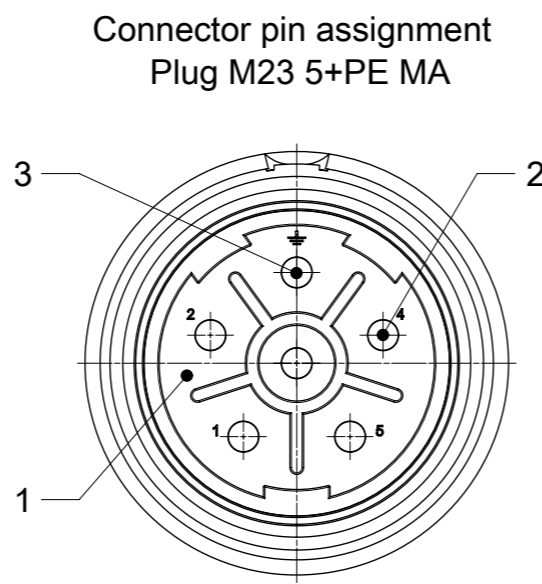


TABLE 1

MOLEX P/N	ENGINEERING No.	L [mm]	Tol.[mm]
1204800620	KKP6S30W01M010	1000	+40
1204800621	KKP6S30W01M020	2000	+60
1204800622	KKP6S30W01M030	3000	+60
1204800623	KKP6S30W01M040	4000	+60
1204800624	KKP6S30W01M050	5000	+60
1204800625	KKP6S30W01M100	10000	+80
1204800626	KKP6S30W01M150	15000	+140
1204800627	KKP6S30W01M200	20000	+140

SYMBOLS ▽ = 0 DIMENSION UNITS ▽ = 0 SCALE ▽ = 0 mm 1:1 ▽ = 0 GENERAL TOLERANCES (UNLESS SPECIFIED) ▽ = 0 ANGULAR TOL ± 1.0° ▽ = 0 4 PLACES ± ▽ = 0 3 PLACES ± 0.0 ▽ = 0 2 PLACES ± 0.05 ▽ = 0 1 PLACE ± 0.3 ▽ = 0 0 PLACES ± 0.5 ▽ = 0 DRAFT WHERE APPLICABLE MUST REMAIN WITHIN DIMENSIONS			THIS DRAWING CONTAINS INFORMATION THAT IS PROPRIETARY TO MOLEX ELECTRONIC TECHNOLOGIES, LLC AND SHOULD NOT BE USED WITHOUT WRITTEN PERMISSION CURRENT REV DESC: EC NO: 720467 DRWN: APAWLAK01 2022/09/05 CHK'D: RSILLER 2022/09/08 APPR: RSILLER 2022/09/08 INITIAL REVISION: DRWN: MSCHERER 2016/11/23 APPR: RSILLER 2016/11/24				
CSE M23 6P PC MA STR WSOR FE XM SHLD			PRODUCT CUSTOMER DRAWING				
DOCUMENT NUMBER 1204800620			DOC TYPE PSD	DOC PART 000	REVISION B		
DRAFT WHERE APPLICABLE MUST REMAIN WITHIN DIMENSIONS	THIRD ANGLE PROJECTION	DRAWING A3-SIZE	SERIES 120480	MATERIAL NUMBER SEE TABLE 1	CUSTOMER GENERAL MARKET		
				SHEET NUMBER 1 OF 2			

Wiring Diagram
Connection: IN-LINE

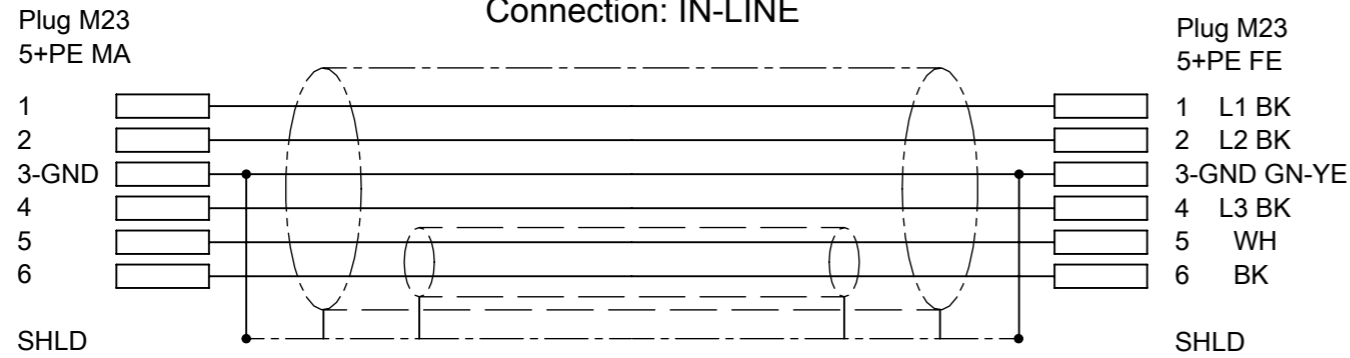


TABLE 2

POS	QTY	DESCRIPTION	MATERIAL	FINISH / COLOR
1	1	INSERT M23 MA	PA	BLACK
2	5	CONTACT 20 MA	COPPER ALLOY	GOLD OVER NICKEL
3	1	GROUNDING 20 MA	COPPER ALLOY	GOLD OVER NICKEL
4	2	GASKET OR	NBR	BLACK
5	1	SHELL M23 MA	BRASS	NICKEL PLATED
6	2	OVERMOLD	TPU	BLACK
7	1	CABLE	WSOR	ORANGE
8	1	NUT M23 FE	BRASS	NICKEL PLATED
9	5	CONTACT 20 FE	COPPER ALLOY	GOLD OVER NICKEL
10	1	GROUNDING 20 FE	COPPER ALLOY	GOLD OVER NICKEL
11	1	INSERT M23 FE	PA	BLACK
12	1	SHELL M23 FE	BRASS	NICKEL PLATED

FUNCTIONAL SYMBOLS	THIS DRAWING CONTAINS INFORMATION THAT IS PROPRIETARY TO MOLEX ELECTRONIC TECHNOLOGIES, LLC AND SHOULD NOT BE USED WITHOUT WRITTEN PERMISSION		CURRENT REV DESC:			molex		
	$\nabla_A = 0$ $\nabla_B = 0$ $\nabla_C = 0$	DIMENSION UNITS mm						
DIVISIONAL SYMBOLS	GENERAL TOLERANCES (UNLESS SPECIFIED)		CSE M23 6P PC MA STR WSOR FE XM SHLD			PRODUCT CUSTOMER DRAWING		
	ANGULAR TOL $\pm 1.0^\circ$		INITIAL REVISION:			DOCUMENT NUMBER		
	4 PLACES \pm	3 PLACES ± 0.0	DRWN: MSCHERER 2016/11/23			1204800620		
	2 PLACES ± 0.05	1 PLACE ± 0.3	APPR: RSILLER 2016/11/24			PSD 000 B		
0 PLACES ± 0.5	DRAFT WHERE APPLICABLE MUST REMAIN WITHIN DIMENSIONS		THIRD ANGLE PROJECTION	DRAWING	SERIES	MATERIAL NUMBER	CUSTOMER	SHEET NUMBER
				A3-SIZE	120480	SEE TABLE 1	GENERAL MARKET	2 OF 2