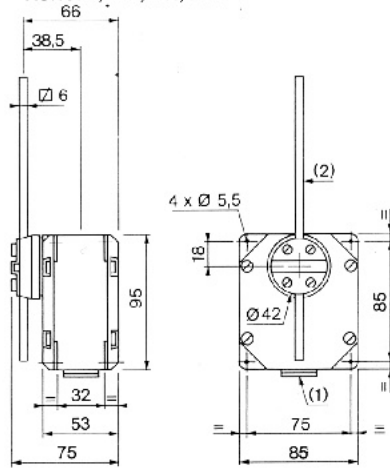
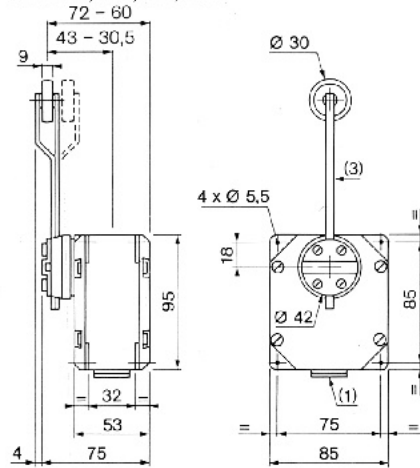


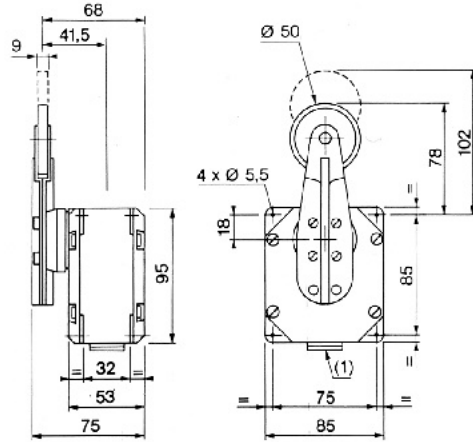
XCR-A11, A51, B11, B51.



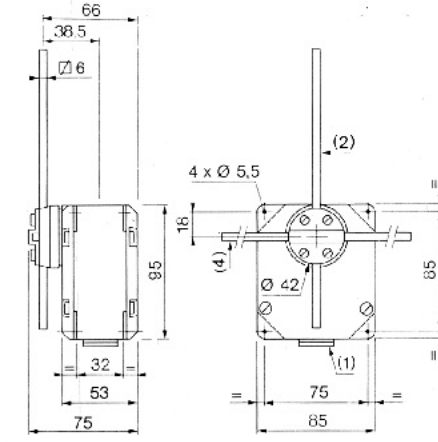
XCR-A12, A52, B12, B52.



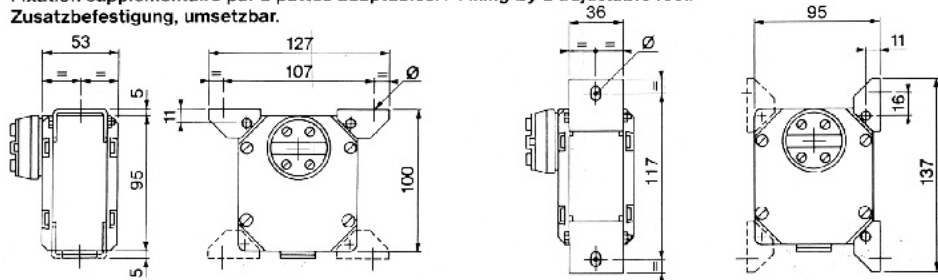
XCR-A15, A55.



XCR-F17, F57; XCR-E18, E58.

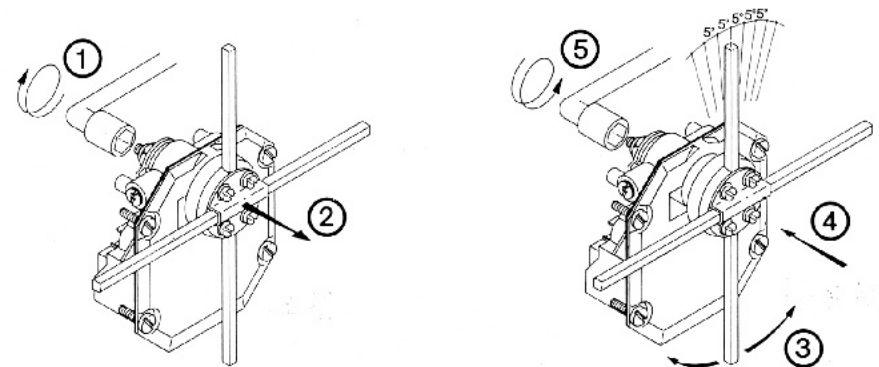
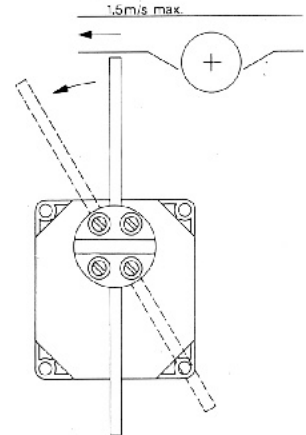
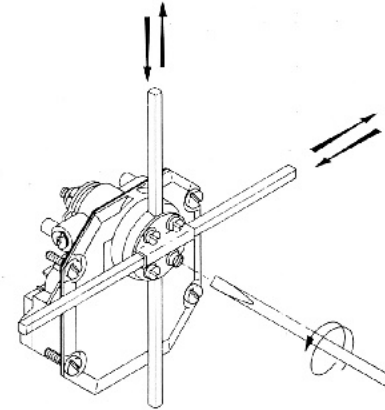
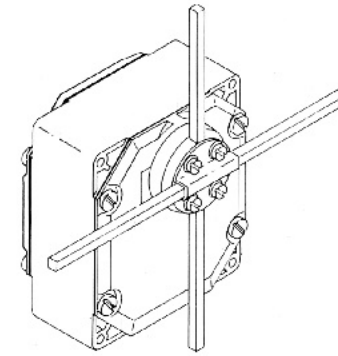


Fixation supplémentaire par 2 pattes adaptables. / Fixing by 2 adjustable feet.
Zusatzbefestigung, umsetzbar.

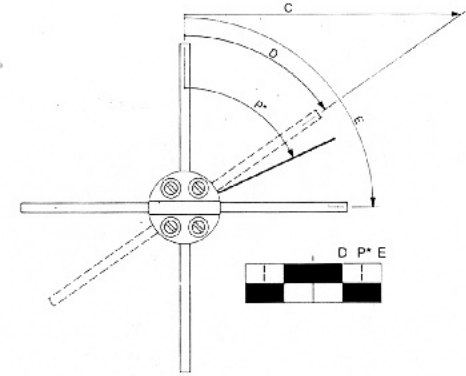
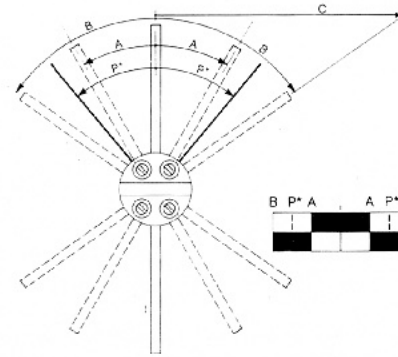
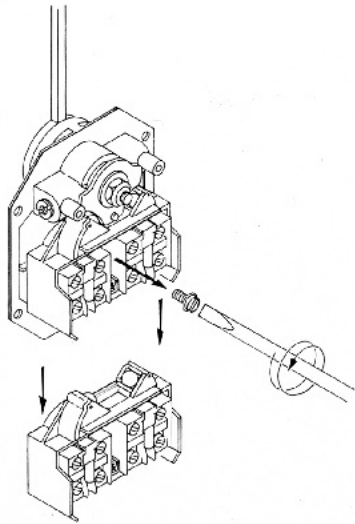


- | | | |
|--|--|--|
| (1) 1 trou taraudé pour PE CM12.
(2) Longueur tige : 200 mm.
(3) Longueur tige + galet : 160 mm.
(4) Longueur tige :
XCR-E = 200 mm; XCR-F = 300 mm.
Ø 1 trou oblong 6x8. | Tapped hole for CM12 cable gland.
Lever length: 200 mm.
Lever + roller: length 160 mm.
Lever length:
XCR-E = 200 mm; XCR-F = 300 mm.
1 elongated hole 6x8 mm. | Gewindebohrung PE CM12 (PG 13,5).
Hebellaenge: 200 mm.
Laenge Hebel + Rolle: 160 mm.
Hebellaenge:
XCR-E = 200 mm; XCR-F = 300 mm.
Langlochbohrung 6x8 mm. |
|--|--|--|

XCR



IS 432554/B



XCR-A, B, C, D.

A = 30°.
B = 55°.
C = 100 mm Δ daN.

* P = 40° - manoeuvre positive d'ouverture
- positive opening operation
- Oeffner zwangstrennend.

XCR-J, K, L, P.

A = 30°.
B = 90°.
C = 100 mm Δ daN.

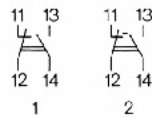
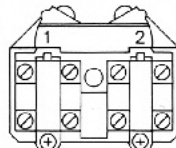
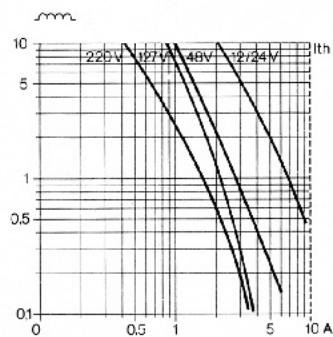
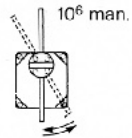
* P = 65° - manoeuvre positive d'ouverture
- positive opening operation
- Oeffner zwangstrennend.

XCR-E, F.

D = 55°.
E = 90°.
C = 125 mm Δ daN.

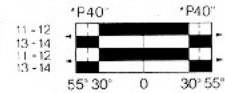
* P = 65° - manoeuvre positive d'ouverture
- positive opening operation
- Oeffner zwangstrennend.

~ (ac) 50-60 Hz

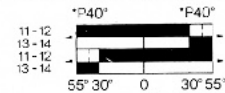


--- (dc) 24 V 48 V 120 V
5 x 10⁶ man. 10 W 7 W 4 W

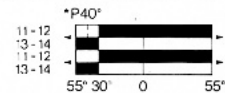
XCR-A1.



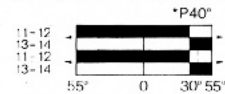
XCR-B1.



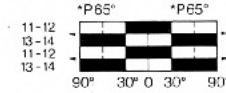
XCR-C1.



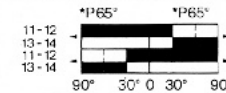
XCR-D1.



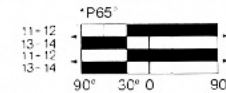
XCR-J1.



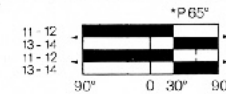
XCR-K1.



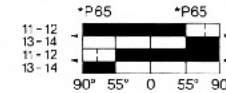
XCR-L1.



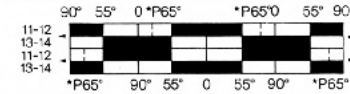
XCR-P1.



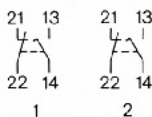
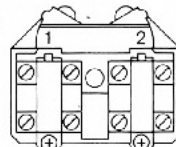
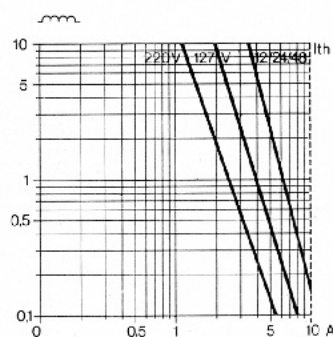
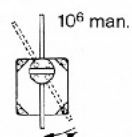
XCR-F17



XCR-E18

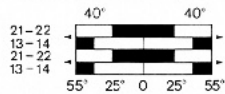


~ (ac) 50-60 Hz

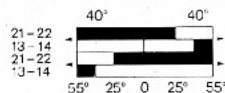


--- (dc) 24 V 48 V 120 V
5 x 10⁶ man. 7 W 9 W 13 W

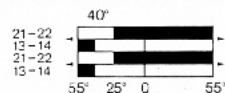
XCR-A5.



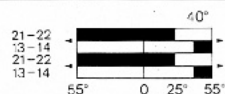
XCR-B5.



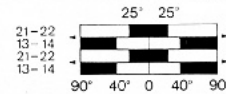
XCR-C5.



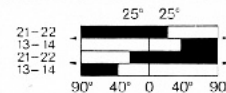
XCR-D5.



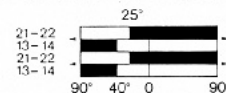
XCR-J5.



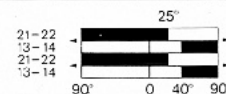
XCR-K5.



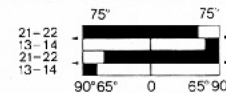
XCR-L5.



XCR-P5.



XCR-F57



XCR-E58

