

L-16 EVO / L-16 WALL / L-16 LOW

1018C9.99

novalux
ITALIAN LIGHTING DESIGN SINCE 1948



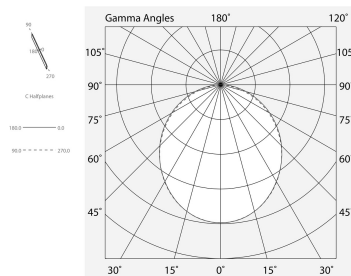
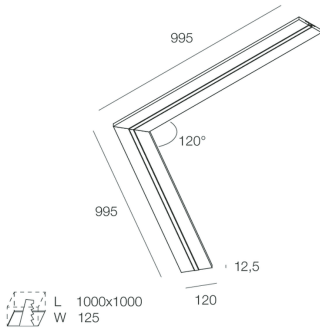
Features

Use: Indoor
Type of installation: RECESSED INTO PLASTERBOARD
Emission: DIRECT
Optics: OPAL
L: 995x995mm
A: 120mm
H: 12.5mm
Made in: ITALY
Warranty: 5 years
Weight: 3.71kg

Tech data

IP: 40

[View more product info](#)



Novalux S.r.l. via Marzabotto, 2 40050 Funo di Argelato (BO) Italy
Tel: +39 051 860558 · Fax +39 051 6647859 · Mail: info@novalux.it · VAT number 00536541204 · novalux.com
Company subject to the management and coordination by SLV GmbH

This technical data sheet is owned by Novalux S.r.l., all rights reserved. Novalux S.r.l. reserves the right to make changes without prior notice.
Last update: 14/11/2024, 18:19:22

L-16 EVO / L-16 WALL / L-16 LOW

1018C9.99

novalux
ITALIAN LIGHTING DESIGN SINCE 1948

SCREENS



L-16 EVO: DIFF. OPALE L=6000

1018A3.99



L-16 EVO: DIFF. NERO L=6000

1018B7.99



Novalux S.r.l. via Marzabotto, 2 40050 Funo di Argelato (BO) Italy
Tel: +39 051 860558 · Fax +39 051 6647859 · Mail: info@novalux.it · VAT number 00536541204 · novalux.com
Company subject to the management and coordination by SLV GmbH

This technical data sheet is owned by Novalux S.r.l., all rights reserved. Novalux S.r.l. reserves the right to make changes without prior notice.
Last update: 14/11/2024, 18:19:22