



Contact characteristics

Number of poles		Nr.	3
Rated insulation voltage U _i IEC/EN		V	1000 (power circuit)
Rated impulse withstand voltage U _{imp}		kV	8
Operational frequency	min	Hz	25
	max	Hz	400
IEC Conventional free air thermal current I _{th} ≤ 40°C		A	1250
Operational current I _e	AC-1 (≤40°C)	A	1250
	AC-1 (≤55°C)	A	1050
	AC-1 (≤70°C)	A	880
Rated operational power AC-1 (T≤40°C)	230V	kW	480
	400V	kW	830
	500V	kW	1100
	690V	kW	1450
Short-time allowable current for 10s (IEC/EN60947-1)		A	6500
Protection fuse			
	gG (IEC)	A	1250
Making capacity (RMS value)		A	6300
Breaking capacity at voltage	440V	A	6300
	500V	A	5600
	690V	A	5000
Resistance per pole (average value)		mΩ	7
Power dissipation per pole (average value)			
	I _{th}	W	110
Tightening torque for terminals	min	Nm	35
	max	Nm	35
	min	lbin	25.8
	max	lbin	25.8
Max number of wires simultaneously connectable		Nr.	2
Conductor section	AWG/Kcmil		
	max		2x 1500kcmil
Power terminal protection according to IEC/EN 60529			IP00
Mechanical features			
Operating position	normal		Vertical plan
	allowable		±30°
Fixing			Screw
Weight		g	4820

Auxiliary contact characteristics

Thermal current Ith		A	16
IEC/EN 60947-5-1 designation			A600 - P600
Operating current AC15	230V	A	3
	400V	A	1.9
	500V	A	1.4
Operating current DC12	110V	A	5.7
Operating current DC13	24V	A	5.7
	48V	A	2.9
	60V	A	2.3
	125V	A	0.6
	220V	A	0.2
	600V	A	1.2

Operations

Mechanical life		cycles	5000000
Electrical life		cycles	700000

Safety related data

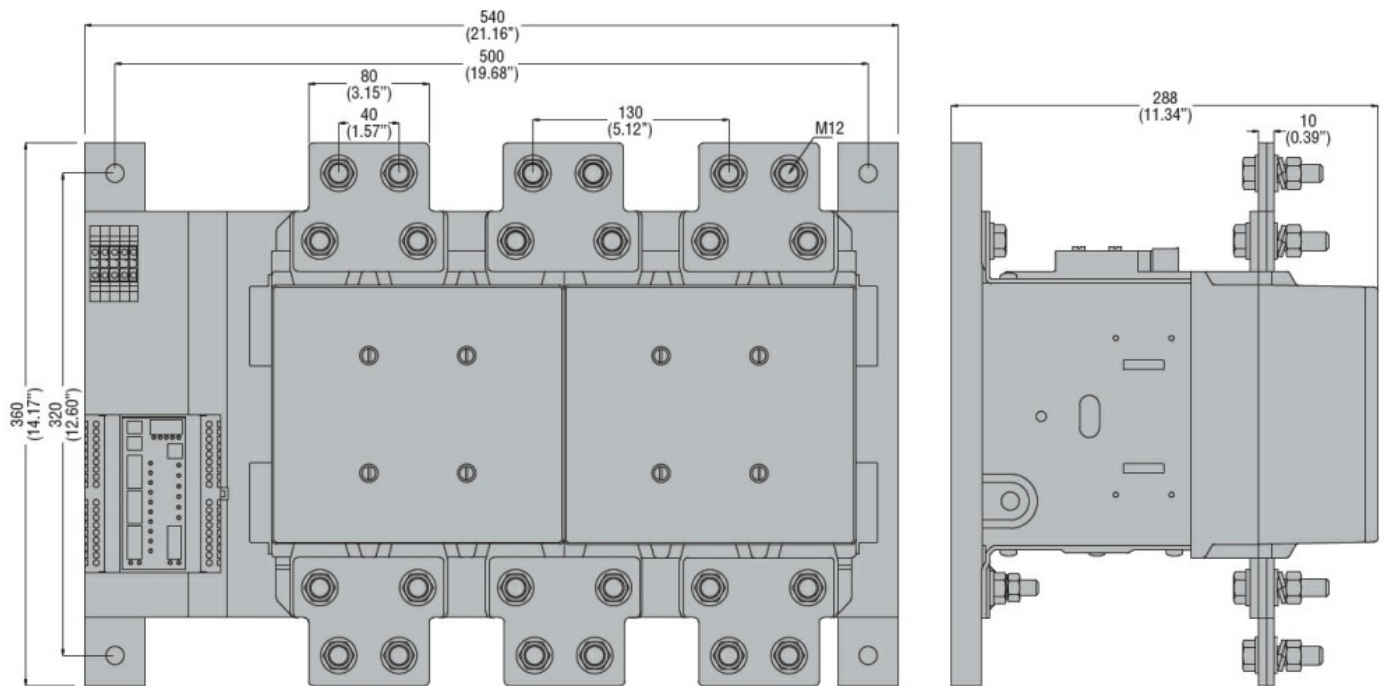
Performance level B10d according to EN/ISO 13489-1	rated load mechanical load	cycles cycles	700000 5000000
Mirror contacts according to IEC/EN 60947-4-1 annex F			Yes
EMC compatibility			yes

AC coil operating

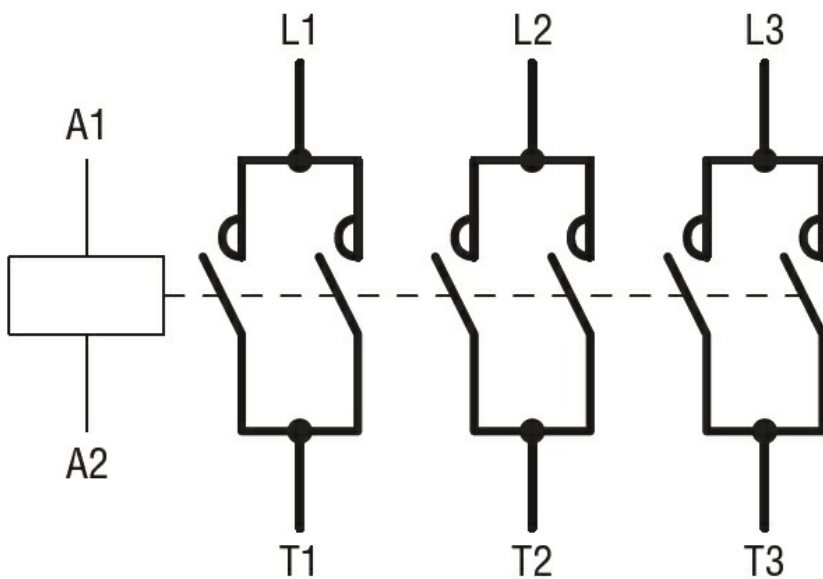
Rated AC voltage at 50/60Hz, 60Hz	min	V	220
	max	V	240
AC operating voltage	of 50/60Hz coil powered at 50Hz		
	pick-up		
	min	%Us	80
	max	%Us	110
	drop-out		
	min	%Us	20
	max	%Us	60
	of 50/60Hz coil powered at 60Hz		
	pick-up		
	min	%Us	80
	max	%Us	110
	drop-out		
min	%Us	20	
max	%Us	60	
of 60Hz coil powered at 60Hz			
pick-up			
min	%Us	80	
max	%Us	110	
drop-out			
min	%Us	20	
max	%Us	60	

AC average coil consumption at 20°C			
of 50/60Hz coil powered at 50Hz	in-rush	VA	800

	holding	VA	45
of 50/60Hz coil powered at 60Hz			
	in-rush	VA	800
	holding	VA	45
Dissipation at holding ≤20°C 50Hz		W	40
DC coil operating			
DC rated control voltage			
	min	V	220
	max	V	240
max		V	240
DC operating voltage			
	pick-up		
	min	%Us	80
Max cycles frequency			
Mechanical operation		cycles/h	1200
Operating times			
Average time for U _s control			
	in AC		
	Closing NO		
	min	ms	300
	max	ms	450
	Opening NO		
	min	ms	70
	max	ms	130
	in DC		
	Closing NO		
	min	ms	300
	max	ms	450
	Opening NO		
	min	ms	70
	max	ms	130
UL technical data			
Rated operational voltage AC (UL)		V	600
Contact rating of auxiliary contacts according to UL			A600 - P600
Ambient conditions			
Temperature			
	Operating temperature		
	min	°C	-50
	max	°C	60
	Storage temperature		
	min	°C	-60
	max	°C	80
Max altitude		m	3000
Resistance & Protection			
Pollution degree			3
Dimensions			



Wiring diagrams



Certifications and compliance

Compliance

CSA C22.2 n° 60947-1

CSA C22.2 n° 60947-4-1

IEC/EN 60947-1

IEC/EN 60947-4-1

UL 60947-1

UL 60947-4-1

Certificates

/

ETIM classification

ETIM 8.0

EC000066 -
Power contactor,
AC switching