



### Contact characteristics

Number of poles	Nr.	3
Rated insulation voltage $U_i$ IEC/EN	V	690
Rated impulse withstand voltage $U_{imp}$	kV	6
Operational frequency	min	Hz 25
	max	Hz 400
IEC Conventional free air thermal current $I_{th} \leq 40^\circ\text{C}$	A	16
Operational current $I_e$	AC-1 ( $\leq 40^\circ\text{C}$ )	A 16
	AC-1 ( $\leq 55^\circ\text{C}$ )	A 14
	AC-1 ( $\leq 70^\circ\text{C}$ )	A 12
	AC-3 ( $\leq 440\text{V} \leq 55^\circ\text{C}$ )	A 6
	AC-4 (400V)	A 3.3
Rated operational power AC-3 ( $T \leq 55^\circ\text{C}$ )	230V	kW 1.5
	400V	kW 2.2
	415V	kW 2.4
	440V	kW 2.5
	500V	kW 3
	690V	kW 3
Rated operational power AC-1 ( $T \leq 40^\circ\text{C}$ )	230V	kW 6
	400V	kW 10
	500V	kW 13
	690V	kW 18
IEC max current $I_e$ in DC1 with $L/R \leq 1\text{ms}$ with 1 poles in series	$\leq 24\text{V}$	A 9
	48V	A 8
	75V	A 4
	110V	A 3
	220V	A –
IEC max current $I_e$ in DC1 with $L/R \leq 1\text{ms}$ with 2 poles in series	$\leq 24\text{V}$	A 12
	48V	A 11
	75V	A 7
	110V	A 6
	220V	A –
IEC max current $I_e$ in DC1 with $L/R \leq 1\text{ms}$ with 3 poles in series	$\leq 24\text{V}$	A 14
	48V	A 14
	75V	A 8
	110V	A 8
	220V	A 1
IEC max current $I_e$ in DC1 with $L/R \leq 1\text{ms}$ with 4 poles in series		

	≤24V	A	–
	48V	A	–
	75V	A	–
	110V	A	–
	220V	A	–
<hr/>			
IEC max current Ie in DC3-DC5 with L/R ≤ 15ms with 1 poles in series	≤24V	A	6
	48V	A	5
	75V	A	2
	110V	A	1
	220V	A	–
<hr/>			
IEC max current Ie in DC3-DC5 with L/R ≤ 15ms with 2 poles in series	≤24V	A	7
	48V	A	7
	75V	A	4
	110V	A	3
	220V	A	–
<hr/>			
IEC max current Ie in DC3-DC5 with L/R ≤ 15ms with 3 poles in series	≤24V	A	9
	48V	A	9
	75V	A	5
	110V	A	4
	220V	A	0,5
<hr/>			
IEC max current Ie in DC3-DC5 with L/R ≤ 15ms with 4 poles in series	≤24V	A	–
	48V	A	–
	75V	A	–
	110V	A	–
	220V	A	–
<hr/>			
Short-time allowable current for 10s (IEC/EN60947-1)		A	96
<hr/>			
Protection fuse	gG (IEC)	A	16
	aM (IEC)	A	6
<hr/>			
Making capacity (RMS value)		A	92
<hr/>			
Breaking capacity at voltage	440V	A	72
	500V	A	72
	690V	A	72
<hr/>			
Resistance per pole (average value)		mΩ	10
<hr/>			
Power dissipation per pole (average value)	Ith	W	2.6
	AC-3	W	0.36
<hr/>			
Tightening torque for terminals	min	Nm	0.8
	max	Nm	1
	min	Ibin	9
	max	Ibin	9
<hr/>			
Tightening torque for coil terminal	min	Nm	0.8
	max	Nm	1
	min	Ibin	9
	max	Ibin	9
<hr/>			
Max number of wires simultaneously connectable		Nr.	2

Conductor section

AWG/Kcmil			max	12
Flexible w/o lug conductor section			min	mm <sup>2</sup> 0.75
			max	mm <sup>2</sup> 2.5
Flexible c/w lug conductor section			min	mm <sup>2</sup> 1.5
			max	mm <sup>2</sup> 2.5
Flexible with insulated spade lug conductor section			min	mm <sup>2</sup> 1.5
			max	mm <sup>2</sup> 2.5

Power terminal protection according to IEC/EN 60529

IP20 when properly wired

**Mechanical features**

Operating position

normal allowable      Vertical plan ±30°

Fixing      Screw / DIN rail 35mm

Weight      g 179

**Auxiliary contact characteristics**

Thermal current I<sub>th</sub>      A 10

IEC/EN 60947-5-1 designation      A600 - Q600

Operating current AC15

230V	A	3
400V	A	1.9
500V	A	1.4

Operating current DC12

110V	A	2.9
------	---	-----

Operating current DC13

24V	A	2.9
48V	A	1.4
60V	A	1.2
110V	A	0.6
125V	A	0.55
220V	A	0.3
600V	A	0.1

**Operations**

Mechanical life      cycles 20000000

Electrical life      cycles 500000

**Safety related data**

Performance level B10d according to EN/ISO 13489-1

rated load	cycles	500000
mechanical load	cycles	20000000

EMC compatibility      yes

**AC coil operating**

Rated AC voltage at 50/60Hz      V 24

AC operating voltage

of 50/60Hz coil powered at 50Hz  
pick-up

min	%Us	75
max	%Us	115

drop-out

	min	%Us	20
	max	%Us	55
of 50/60Hz coil powered at 60Hz			
pick-up	min	%Us	80
	max	%Us	115
drop-out	min	%Us	20
	max	%Us	55
AC average coil consumption at 20°C			
of 50/60Hz coil powered at 50Hz			
	in-rush	VA	30
	holding	VA	4
of 50/60Hz coil powered at 60Hz			
	in-rush	VA	25
	holding	VA	3
of 60Hz coil powered at 60Hz			
	in-rush	VA	30
	holding	VA	4
Dissipation at holding ≤20°C 50Hz		W	0.95
<b>Max cycles frequency</b>			
Mechanical operation		cycles/h	3600
<b>Operating times</b>			
Average time for Us control			
in AC			
Closing NO	min	ms	12
	max	ms	21
Opening NO	min	ms	9
	max	ms	18
Closing NC	min	ms	17
	max	ms	26
Opening NC	min	ms	7
	max	ms	17
in DC			
Closing NO	min	ms	18
	max	ms	25
Opening NO	min	ms	2
	max	ms	3
Closing NC	min	ms	3
	max	ms	5
Opening NC	min	ms	11
	max	ms	17
<b>UL technical data</b>			
Rated operational voltage AC (UL)		V	600
Full-load current (FLA) for three-phase AC motor		at 480V	A 4.8

		at 600V	A	3.9
Yielded mechanical performance				
for single-phase AC motor		110/120V	HP	0.3
		230V	HP	1
for three-phase AC motor		200/208V	HP	1.5
		220/240V	HP	2
		460/480V	HP	3
		575/600V	HP	3
General USE				
Contactor		AC current	A	16
Short-circuit protection fuse, 600V				
High fault		Short circuit current	kA	100
		Fuse rating	A	30
		Fuse class		J
Standard fault		Short circuit current	kA	5
		Fuse rating	A	30
Contact rating of auxiliary contacts according to UL				A600 - Q600

**Ambient conditions**

Temperature

Operating temperature

min	°C	-50
max	°C	+70

Storage temperature

min	°C	-60
max	°C	+80

Max altitude

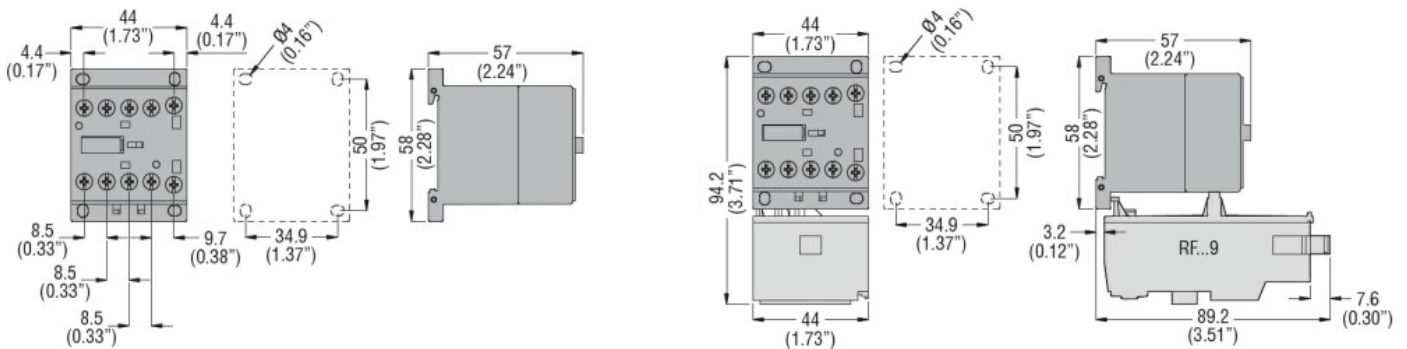
m 3000

**Resistance & Protection**

Pollution degree

3

**Dimensions**



**Wiring diagrams**



**Certifications and compliance**

Compliance

CSA C22.2 n° 60947-1

CSA C22.2 n° 60947-4-1

IEC/EN 60335-2-89

IEC/EN 60947-1

IEC/EN 60947-4-1

UL 60947-1

UL 60947-4-1

Certificates

CCC

CSA C22.2 n. 60335-2-40:22 LZGH A2L

CSA C22.2 No. 60335-2-89:21 LZGH A2L

cULus

EAC

UL 60335-2-40 LZGH A2L

UL 60335-2-89 LZGH A2L

**ETIM classification**

ETIM 8.0

EC000066 -  
 Power contactor,  
 AC switching