



Contact characteristics

Number of poles	Nr.	3
Rated insulation voltage U_i IEC/EN	V	690
Rated impulse withstand voltage U_{imp}	kV	6
Operational frequency	min	Hz 25
	max	Hz 400
IEC Conventional free air thermal current $I_{th} \leq 40^\circ C$	A	20
Operational current I_e	AC-1 ($\leq 40^\circ C$)	A 20
	AC-1 ($\leq 55^\circ C$)	A 18
	AC-1 ($\leq 70^\circ C$)	A 15
	AC-3 ($\leq 440V \leq 55^\circ C$)	A 9
	AC-4 (400V)	A 4
Rated operational power AC-3 ($T \leq 55^\circ C$)	230V	kW 2.2
	400V	kW 4
	415V	kW 4.3
	440V	kW 4.5
	500V	kW 5
	690V	kW 5
Rated operational power AC-1 ($T \leq 40^\circ C$)	230V	kW 8
	400V	kW 14
	500V	kW 16
	690V	kW 22
IEC max current I_e in DC1 with $L/R \leq 1ms$ with 1 poles in series	$\leq 24V$	A 12
	48V	A 10
	75V	A 4
	110V	A 3
	220V	A -
	IEC max current I_e in DC1 with $L/R \leq 1ms$ with 2 poles in series	$\leq 24V$
48V		A 14
75V		A 9
110V		A 8
220V		A -
IEC max current I_e in DC1 with $L/R \leq 1ms$ with 3 poles in series		$\leq 24V$
	48V	A 16
	75V	A 10
	110V	A 10
	220V	A 2
	IEC max current I_e in DC1 with $L/R \leq 1ms$ with 4 poles in series	$\leq 24V$
48V		A 16
75V		A 10
110V		A 10

	≤24V	A	16
	48V	A	16
	75V	A	10
	110V	A	10
	220V	A	2
<hr/>			
IEC max current Ie in DC3-DC5 with L/R ≤ 15ms with 1 poles in series	≤24V	A	7
	48V	A	6
	75V	A	2
	110V	A	1
	220V	A	–
<hr/>			
IEC max current Ie in DC3-DC5 with L/R ≤ 15ms with 2 poles in series	≤24V	A	8
	48V	A	8
	75V	A	5
	110V	A	4
	220V	A	–
<hr/>			
IEC max current Ie in DC3-DC5 with L/R ≤ 15ms with 3 poles in series	≤24V	A	10
	48V	A	10
	75V	A	6
	110V	A	5
	220V	A	0,8
<hr/>			
IEC max current Ie in DC3-DC5 with L/R ≤ 15ms with 4 poles in series	≤24V	A	10
	48V	A	10
	75V	A	6
	110V	A	5
	220V	A	0,8
<hr/>			
Short-time allowable current for 10s (IEC/EN60947-1)		A	96
<hr/>			
Protection fuse	gG (IEC)	A	20
	aM (IEC)	A	10
<hr/>			
Making capacity (RMS value)		A	92
<hr/>			
Breaking capacity at voltage	440V	A	72
	500V	A	72
	690V	A	72
<hr/>			
Resistance per pole (average value)		mΩ	10
<hr/>			
Power dissipation per pole (average value)	Ith	W	4
	AC-3	W	0.81
<hr/>			
Conductor section	AWG/Kcmil		
		max	12
<hr/>			
Mechanical features			
Operating position	normal allowable		Vertical plan ±30°
<hr/>			
Fixing			Screw / DIN rail 35mm
<hr/>			
Weight		g	211
<hr/>			
Auxiliary contact characteristics			

Thermal current I _{th}		A	10
IEC/EN 60947-5-1 designation			A600 - Q600
Operating current AC15	230V	A	3
	400V	A	1.9
	500V	A	1.4
Operating current DC12	110V	A	2.9
Operating current DC13	24V	A	2.9
	48V	A	1.4
	60V	A	1.1
	125V	A	0.3
	220V	A	0.1
	600V	A	0.6

Operations

Mechanical life	cycles	20000000
Electrical life	cycles	500000

Safety related data

Performance level B10d according to EN/ISO 13489-1

	rated load	cycles	500000
	mechanical load	cycles	20000000
EMC compatibility			yes

DC coil operating

DC rated control voltage	V	24	
DC operating voltage			
pick-up	min	%Us	75
	max	%Us	115
drop-out	min	%Us	10
	max	%Us	25

Average coil consumption ≤20°C

	in-rush	W	3.2
	holding	W	3.2

Max cycles frequency

Mechanical operation	cycles/h	3600
----------------------	----------	------

Operating times

Average time for U _s control				
in AC				
Closing NO	min	ms	12	
	max	ms	21	
Opening NO	min	ms	9	
	max	ms	18	
Closing NC	min	ms	17	
	max	ms	26	
Opening NC	min	ms	7	
	max	ms	17	
in DC				

Closing NO	min	ms	18
	max	ms	25
Opening NO	min	ms	2
	max	ms	3
Closing NC	min	ms	3
	max	ms	5
Opening NC	min	ms	11
	max	ms	17

UL technical data

Rated operational voltage AC (UL) V 600

Full-load current (FLA) for three-phase AC motor

at 480V	A	7.6
at 600V	A	6.1

Yielded mechanical performance

for single-phase AC motor

110/120V	HP	0.5
230V	HP	1.5

for three-phase AC motor

200/208V	HP	2
220/240V	HP	3
460/480V	HP	5
575/600V	HP	5

General USE

Contactor

AC current	A	20
------------	---	----

Short-circuit protection fuse, 600V

High fault

Short circuit current	kA	100
Fuse rating	A	30
Fuse class		J

Standard fault

Short circuit current	kA	5
Fuse rating	A	30

Contact rating of auxiliary contacts according to UL A600 - Q600

Ambient conditions

Temperature

Operating temperature

min	°C	-50
max	°C	+70

Storage temperature

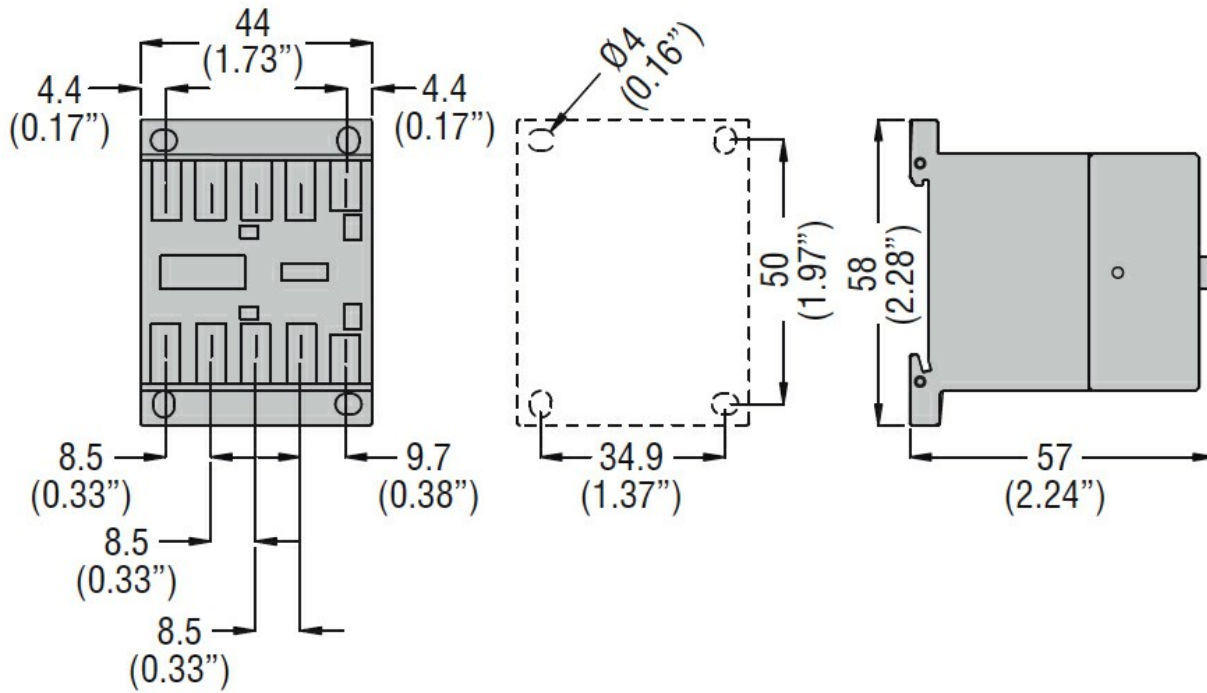
min	°C	-60
max	°C	+80

Max altitude m 3000

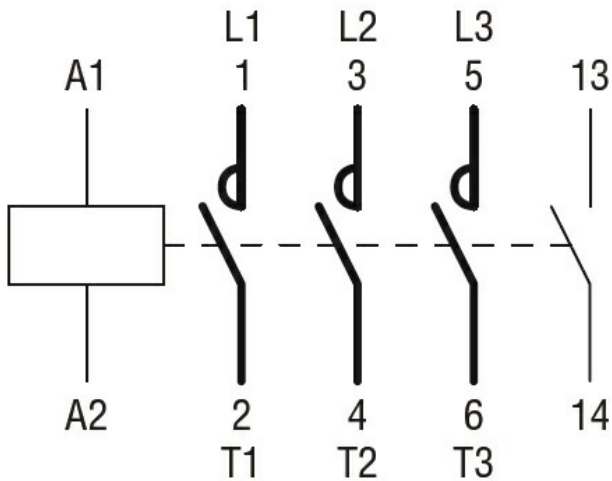
Resistance & Protection

Pollution degree 3

Dimensions



Wiring diagrams



Certifications and compliance

Compliance

- CSA C22.2 n° 60947-1
- CSA C22.2 n° 60947-4-1
- IEC/EN 60947-1
- IEC/EN 60947-4-1
- UL 60947-1
- UL 60947-4-1

Certificates

- CCC
- cULus
- EAC

ETIM classification

ETIM 8.0

EC000066 -
Power contactor,
AC switching