



**Electrical features**

Maximum operating current ( $\leq 440V$ )	A	9
---	---	---

**Contact characteristics**

Operational current Ie	AC-3 ( $\leq 440V \leq 55^\circ C$ )	A	9
Rated operational power AC-3 ( $T \leq 55^\circ C$ )	230V	kW	2.2
	400V	kW	4
	415V	kW	4.3
	440V	kW	4.5
	500V	kW	5

**Built-in auxiliary contacts**

NO	0
NC	1

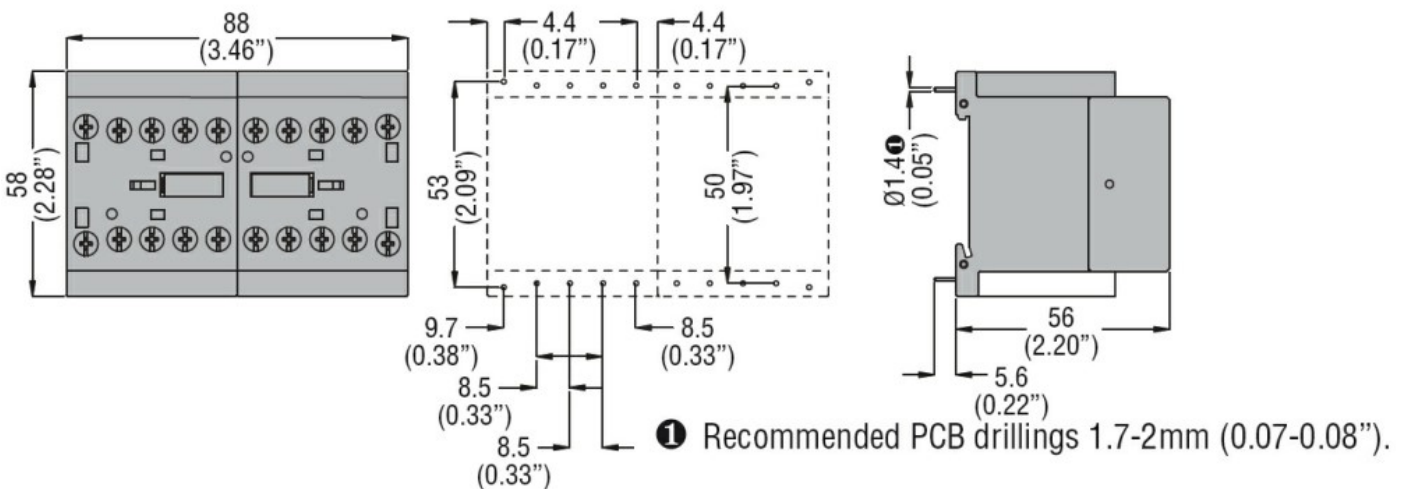
**UL technical data**

Maximum UL/CSA horsepower ratings single-phase	110V-120V	HP	0.5
	220V-240V	HP	1.5
Maximum UL/CSA horsepower ratings three-phase, 3-pole	200V-208V	HP	2
	220V-240V	HP	3
	440V-480V	HP	5

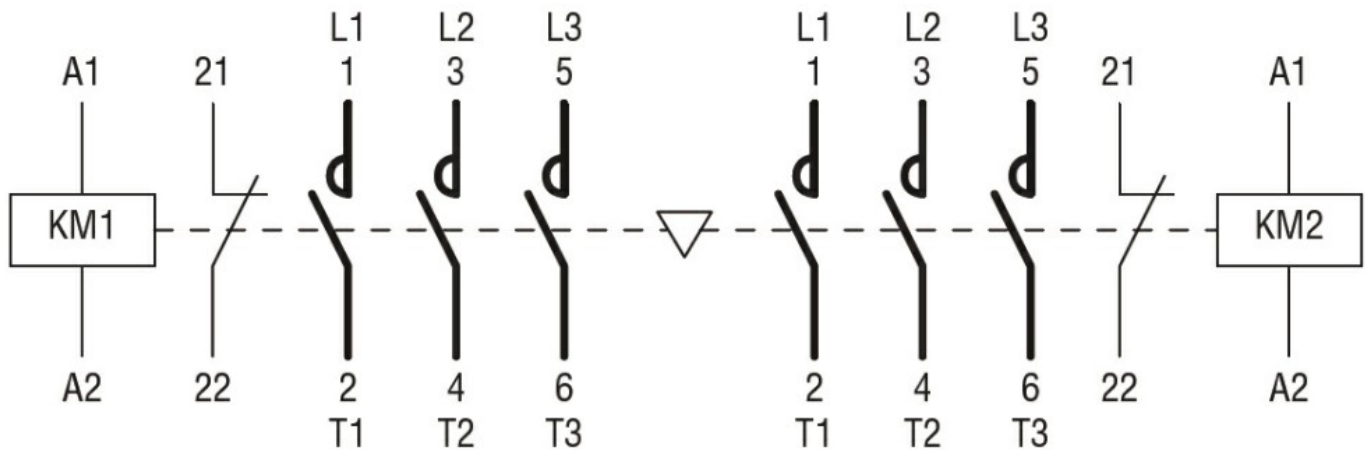
**Mechanical features**

Terminals type	Clamp screw
Weight	g 400

**Dimensions**



**Wiring diagrams**



### Certifications and compliance

#### Compliance

IEC/EN 60947-1

IEC/EN 60947-4-1

UL508 CSA C22.2 n° 14

#### Certificates

cULus

### ETIM classification

ETIM 8.0

EC001037 -  
Motor  
starter/Motor  
starter  
combination