



**Electrical features**

Maximum operating current ( $\leq 440V$ ) A 9

**Contact characteristics**

Operational current Ie AC-3 ( $\leq 440V \leq 55^\circ C$ ) A 9

Rated operational power AC-3 ( $T \leq 55^\circ C$ )	Voltage	Power (kW)	Current (A)
	230V	kW 2.2	
	400V	kW 4	
	415V	kW 4.3	
	440V	kW 4.5	
	500V	kW 5	

Built-in auxiliary contacts NO 0  
NC 1

**UL technical data**

Maximum UL/CSA horsepower ratings single-phase 110V-120V HP 0.5  
220V-240V HP 1.5

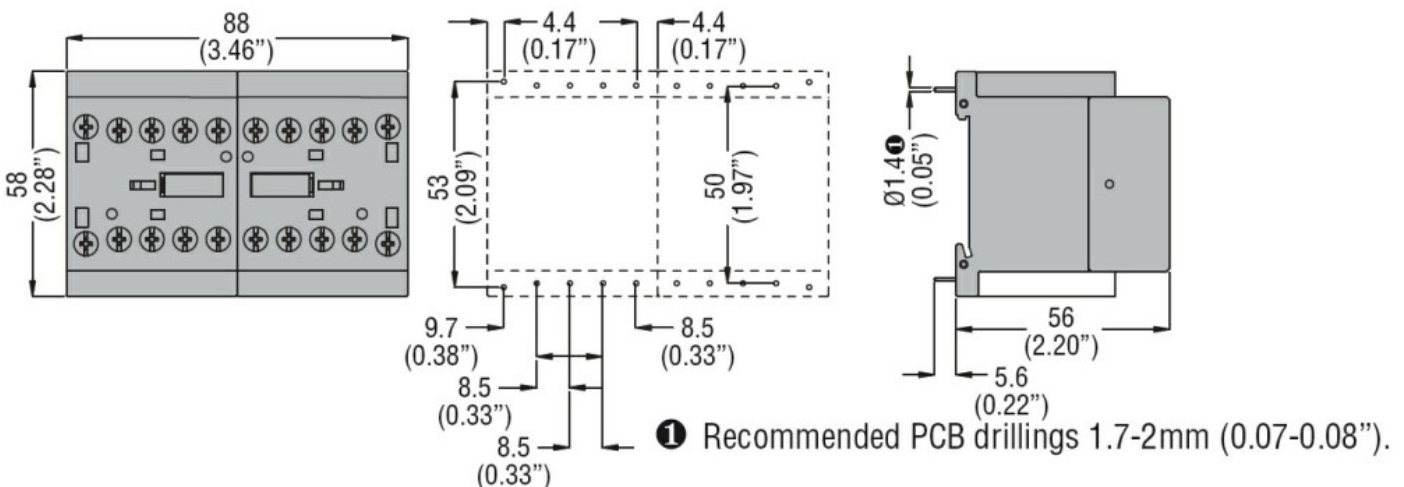
Maximum UL/CSA horsepower ratings three-phase, 3-pole 200V-208V HP 2  
220V-240V HP 3  
440V-480V HP 5

**Mechanical features**

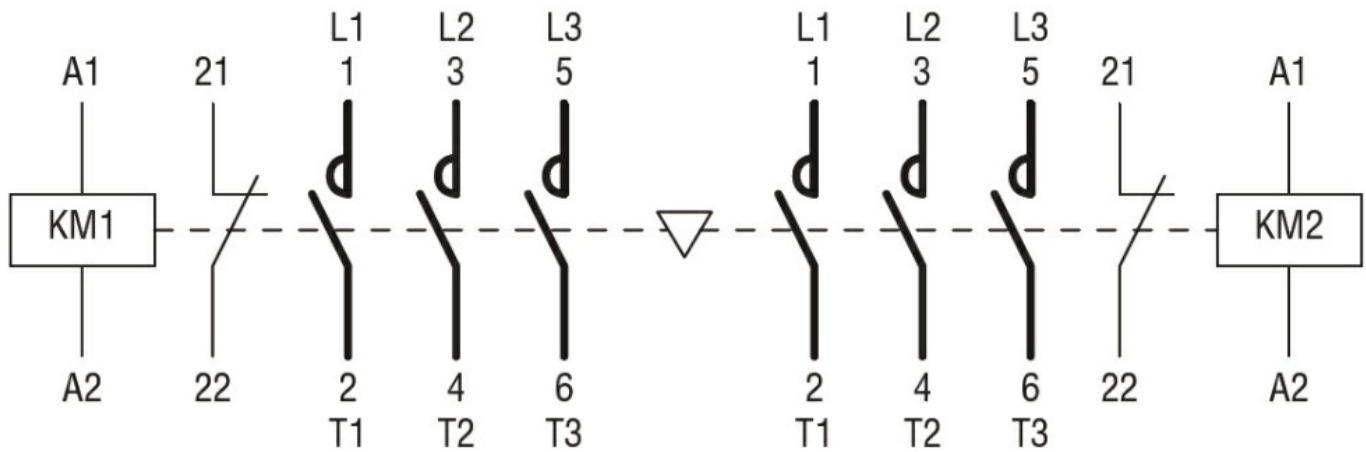
Terminals type Clamp screw

Weight g 400

**Dimensions**



**Wiring diagrams**



### Certifications and compliance

#### Compliance

IEC/EN 60947-1

IEC/EN 60947-4-1

UL508 CSA C22.2 n° 14

#### Certificates

cULus

### ETIM classification

ETIM 8.0

EC001037 -  
Motor  
starter/Motor  
starter  
combination