



General characteristics			
Number of poles	Nr.	3	
Overvoltage category		III	
Pollution degree		3	
Frontal IP degree		IP20	
Type of release		Thermal	
Protection fuse			
	gG (IEC)	A	2
	aM (IEC)	A	1
	K5 (UL)	A	3
Phase failure detection		yes	
Reset mode		Automatic	
Power circuit characteristics			
Rated insulation voltage U_i IEC/EN	V	690	
Rated impulse withstand voltage U_{imp}	kV	8	
Rated operational voltage	V	690	
Operational frequency			
	min	Hz	0
	max	Hz	400
Operational current I_e			
	Operational current min	A	0.45
	Operational current max	A	0.75
Tripping class		10A	
Test Button		Yes	
Trip indicator		yes	
Terminals			
	type	screw and washer	
	screw	M4	
	width	mm	9.8
	tool	Phillips 2	
Tightening torque for terminals			
	min	Nm	2.3
	max	Nm	2.3
	min	lbin	1.7
	max	lbin	1.7
Conductor section			
	AWG/kcmil max	10	
Auxiliary circuit characteristics			
Auxiliary contacts			
	NO	Nr.	1
	NC	Nr.	1
Auxiliary Rated insulation voltage U_i IEC/EN	V	690	
Auxiliary Rated impulse withstand voltage U_{imp}	kV	6	
Auxiliary Rated operational voltage	V	690	

Operating current AC15

24V	A	1.5
120V	A	1.5
240V	A	0.75

IEC Conventional free air thermal current I_{th} ≤ 40°C

A	10
---	----

Terminals

Auxiliary circuit type		screw and washer
Auxiliary circuit screw		M3.5
Auxiliary circuit width	mm	8
Auxiliary circuit tool		Phillips 1

Conductor section

Auxiliary circuit Flexible w/o lug max	mm ²	2.5
Auxiliary circuit Flexible c/w lug max	mm ²	2.5

Tightening torque for terminals

Auxiliary circuit min	Nm	1
Auxiliary circuit max	Nm	1
Auxiliary circuit min	lbin	0.74
Auxiliary circuit max	lbin	0.74

UL/CSA and IEC/EN 60947-5-1 designation

C600-R300

Ambient conditions

Operating temperature

min	°C	-20
max	°C	+55

Storage temperature

min	°C	-55
max	°C	+70

Compensation temperature

min	°C	-15
max	°C	+55

Max altitude

m 3000

Mechanical features

Operating position

normal allowable	Vertical plan ±30°
------------------	--------------------

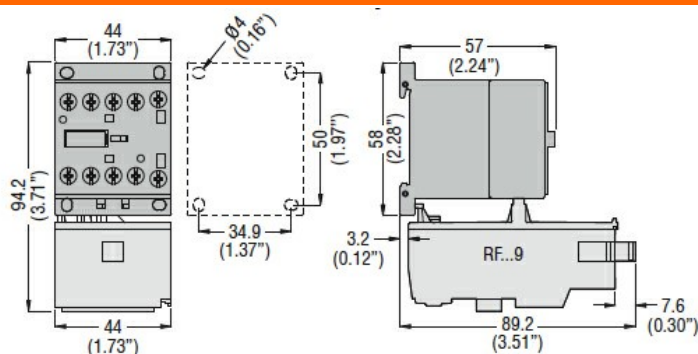
Fixing

Direct mounting on BG06...
BG09... BG12...

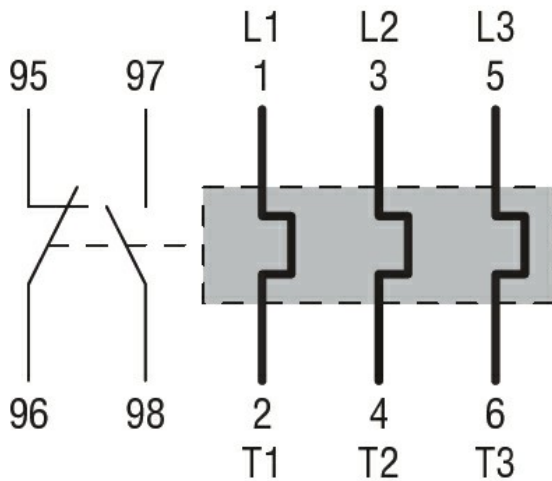
Weight

g 123

Dimensions



Wiring diagrams



Certifications and compliance

Compliance

CSA C22.2 n° 14

IEC/EN 60947-1

IEC/EN 60947-4-1

UL508

Certifications

CCC

CSA

cULus

EAC

ETIM classification

ETIM 8.0

EC000106 -
Thermal overload
relay