



General characteristics

Number of poles	Nr.	3
Overvoltage category		III
Pollution degree		3
Frontal IP degree		IP20
Type of release		Thermal
Protection fuse		
	gG (IEC)	A 4
	aM (IEC)	A 2
	K5 (UL)	A 6
Phase failure detection		yes
Reset mode		Automatic

Power circuit characteristics

Rated insulation voltage U_i IEC/EN	V	690
Rated impulse withstand voltage U_{imp}	kV	8
Rated operational voltage	V	690
Operational frequency		
	min	Hz 0
	max	Hz 400

Operational current I_e		
	Operational current min	A 0.9
	Operational current max	A 1.5

Tripping class		10A
Test Button		Yes
Trip indicator		yes

Terminals		
	type	screw and washer
	screw	M4
	width	mm 9.8
	tool	Phillips 2

Tightening torque for terminals		
	min	Nm 2.3
	max	Nm 2.3
	min	lbin 1.7
	max	lbin 1.7

Conductor section		
	AWG/kcmil max	10

Auxiliary circuit characteristics

Auxiliary contacts		
	NO	Nr. 1
	NC	Nr. 1
Auxiliary Rated insulation voltage U_i IEC/EN	V	690
Auxiliary Rated impulse withstand voltage U_{imp}	kV	6
Auxiliary Rated operational voltage	V	690

IEC Conventional free air thermal current $I_{th} \leq 40^\circ\text{C}$	A	10
--	---	----

Terminals

Auxiliary circuit type		screw and washer
Auxiliary circuit screw		M3.5
Auxiliary circuit width	mm	8
Auxiliary circuit tool		Phillips 1

Conductor section

Auxiliary circuit Flexible w/o lug max	mm ²	2.5
Auxiliary circuit Flexible c/w lug max	mm ²	2.5

Tightening torque for terminals

Auxiliary circuit min	Nm	1
Auxiliary circuit max	Nm	1
Auxiliary circuit min	lbin	0.74
Auxiliary circuit max	lbin	0.74

UL/CSA and IEC/EN 60947-5-1 designation	C600-R300
---	-----------

Ambient conditions

Operating temperature

min	°C	-20
max	°C	+55

Storage temperature

min	°C	-55
max	°C	+70

Compensation temperature

min	°C	-15
max	°C	+55

Max altitude

m	3000
---	------

Mechanical features

Operating position

normal allowable	Vertical plan ±30°
------------------	-----------------------

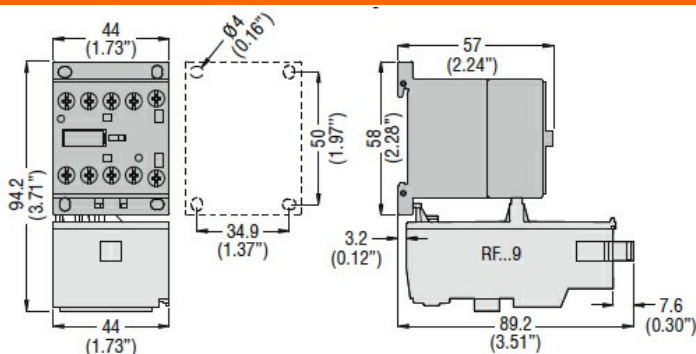
Fixing

Direct mounting on BG06...
BG09... BG12...

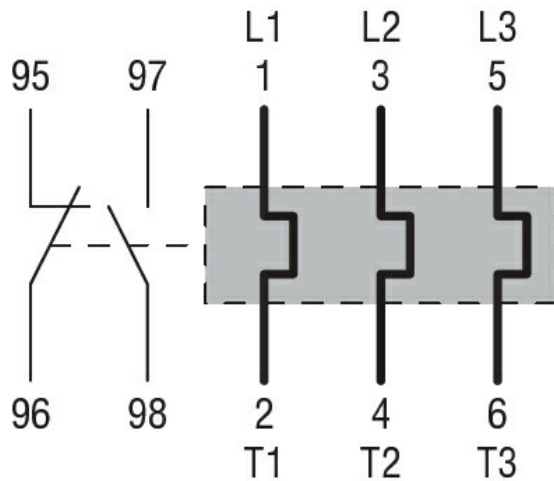
Weight

g	123
---	-----

Dimensions



Wiring diagrams



Certifications and compliance

Compliance

CSA C22.2 n° 14

IEC/EN 60947-1

IEC/EN 60947-4-1

UL508

Certifications

CCC

CSA

cULus

EAC