



**Connections**

Terminals type Screw

Conductor cross section

IEC

Max mm<sup>2</sup> 2.5

**Ambient conditions**

Temperature

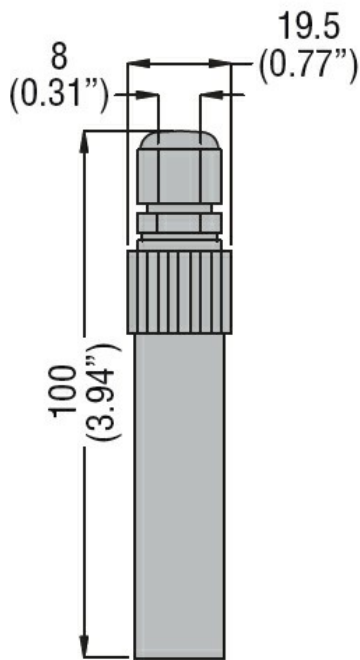
Operating temperature

max °C +60

**Housing**

Weight g 50

**Dimensions**



**Certifications and compliance**

Compliance /

Certificates

EAC

**ETIM classification**

ETIM 8.0

EC001447 - (Fill)  
level monitoring  
relay