



Power supply

Rated voltage U_s

min	VAC	220
Max	VAC	240 \pm 10%

Operational frequency

min	Hz	50 \pm 5%
max	Hz	60 \pm 5%

Power consumption

Max	VA	117
Max	W	24

Charging cycle

Reference standards IEC60335-2-29

Battery type lead-acid

Battery voltage VDC 12

Charging voltage (U_c) 13.8

Charging current (I_c) A 3

Charging current adjustment % I_c 30 to 100

Protections

Battery output fuse; charging inhibition due to:
1. Short circuit at battery terminals;
2. Reverse battery polarity; 3. Low voltage at battery poles; 4. Output overload.

External fuse 1

Indications

LED indicator for operating status Yes

LED reverse battery polarity Yes

Alarm output circuit

Output type NPN transistor

Mechanical features

Housing type Internal panel mounting

Terminals type Removable/plug-in

Fixing Screw fixing

Weight g 1984

Ambient conditions

Temperature

Operating temperature

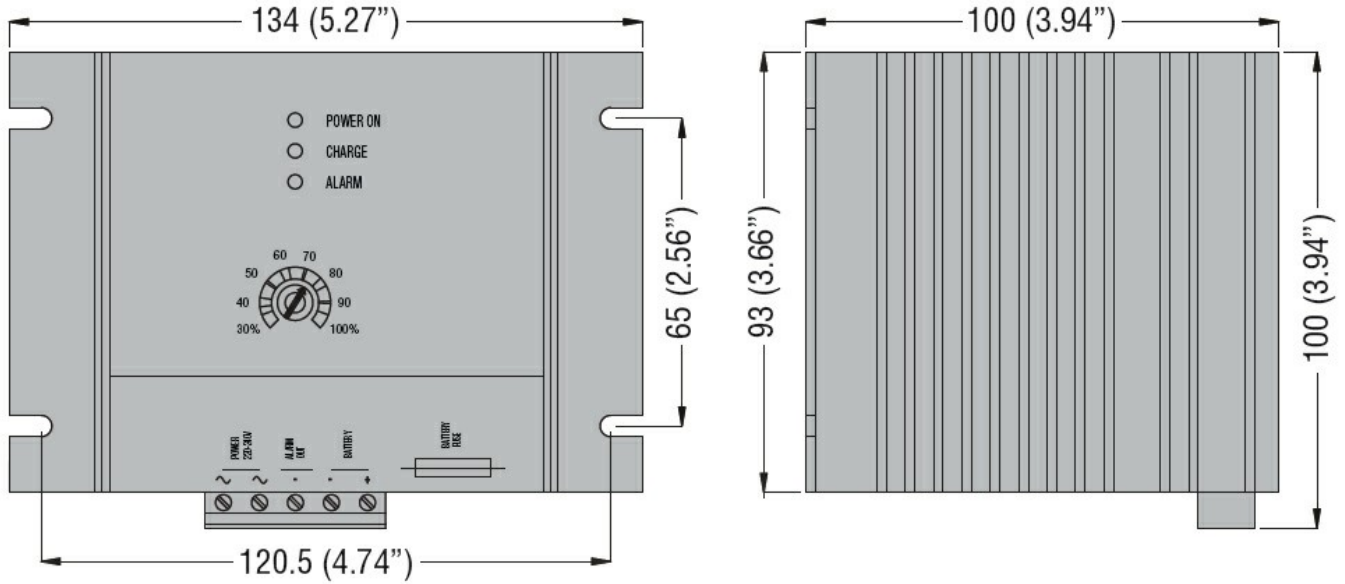
min	°C	-10
max	°C	+50

Storage temperature

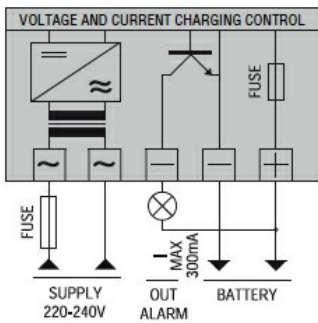
min	°C	-30
max	°C	+80

Protection degree IP00

Dimensions



Wiring diagrams



Certifications and compliance

Compliance

IEC/EN 60335-2-29

Certificates

EAC

ETIM classification

ETIM 8.0

EC000359 -
Universal charger