



Connections

Terminals type Threaded rod with nut

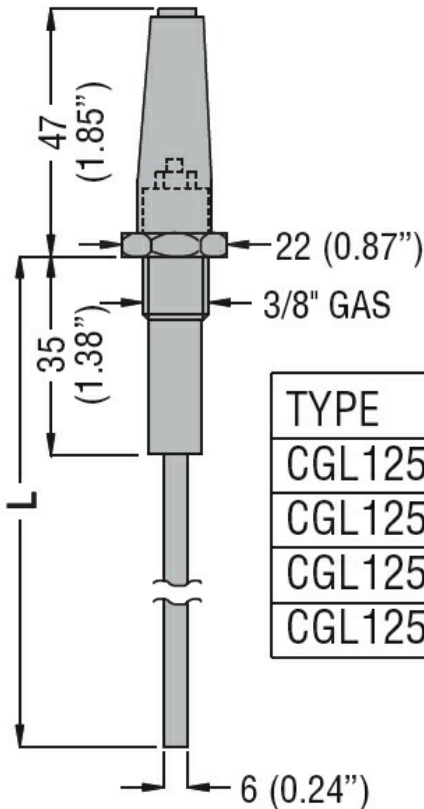
Ambient conditions

Temperature	Operating temperature	max	°C	+180
Maximum operating pressure			bar	10

Housing

Weight g 158

Dimensions



TYPE	L
CGL125 3	327 (12.87")
CGL125 5	500 (19.68")
CGL125 7	700 (27.56")
CGL125 10	1000 (39.37")

Certifications and compliance

Compliance /

Certificates EAC

ETIM classification

ETIM 8.0 EC010106 - Liquid level sensor