



**Connections**

Terminals type Threaded rod with nut

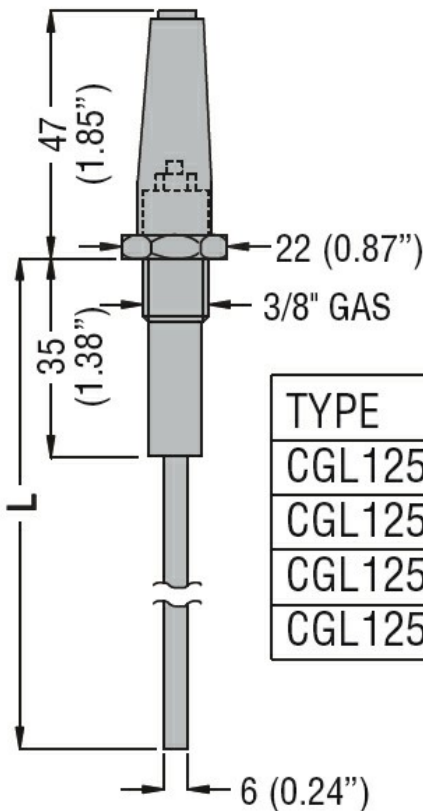
**Ambient conditions**

Temperature	Operating temperature	max	°C	+180
Maximum operating pressure			bar	10

**Housing**

Weight g 208

**Dimensions**



TYPE	L
CGL125 3	327 (12.87")
CGL125 5	500 (19.68")
CGL125 7	700 (27.56")
CGL125 10	1000 (39.37")

**Certifications and compliance**

Compliance

/

Certificates

EAC

**ETIM classification**

ETIM 8.0

EC010106 -  
Liquid level  
sensor