



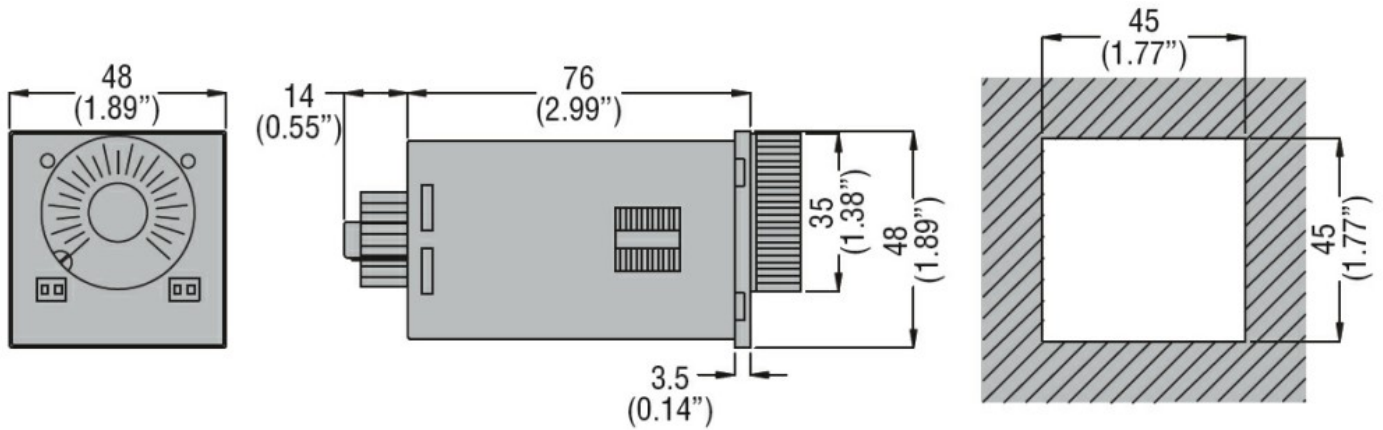
General characteristics

Description				Multifunction time relay, multiscale and multivoltage
Function				Multifunction
Supply circuit				
Rated auxiliary supply voltage U_s				24...240VAC/DC
Rated auxiliary supply voltage U_s				
AC		min	VAC	24
		Max	VAC	240
DC		min	VDC	24
		Max	VDC	240
Rated frequency			Hz	50/60
Operating voltage range				0.85...1.1 U_s
Maximum power consumption / dissipation			W	6VA
Immunity time for microbreakings			ms	≤40
Timing circuit				
Time setting range				0.05min...10h
Setting accuracy			%	±5
Repeat accuracy			%	±0.5
Influence of voltage variation			%	±0.5
Resetting time		During timing	ms	≥100
		Elapsed time	ms	≥65
Relay outputs				
Number of relays		Nr.		2
Contact arrangement				2 delayed C/O
Maximum switching voltage		VAC		250
IEC Conventional free air thermal current $I_{th} \leq 40^\circ\text{C}$		A		5
UL/CSA and IEC/EN 60947-5-1 designation				B300
Insulation (input-output)				
Rated insulation voltage U_i		V		250
Power frequency withstand voltage		kV		2
Operations				
Mechanical life		cycles		30000000
Electrical life (with rated load)		cycles		100000
Ambient conditions				
Temperature				
Operating temperature				
		min	°C	-10
		max	°C	+60
Storage temperature				
		min	°C	-30

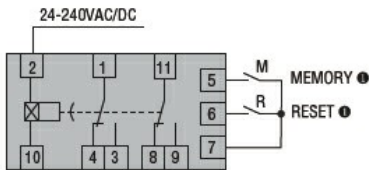
max °C +80

Housing	
Material	Self-extinguishing polyamide
Mounting	Plug-in housing with 11-pin socket
Degree of protection	IP40 on front, IP20 terminals
Dimensions (W x H x D)	mm 48 x 48 x 90
Weight	g 135

Dimensions



Wiring diagrams



T (preset time) = T1+T2

● Contacts "M" and "R" are to be volt free (dry).

Certifications and compliance

Compliance

CSA C22.2 n°14

IEC/EN 61812-1

UL508

Certificates

cURus

EAC

ETIM classification

ETIM 8.0

EC001439 -
Timer relay