

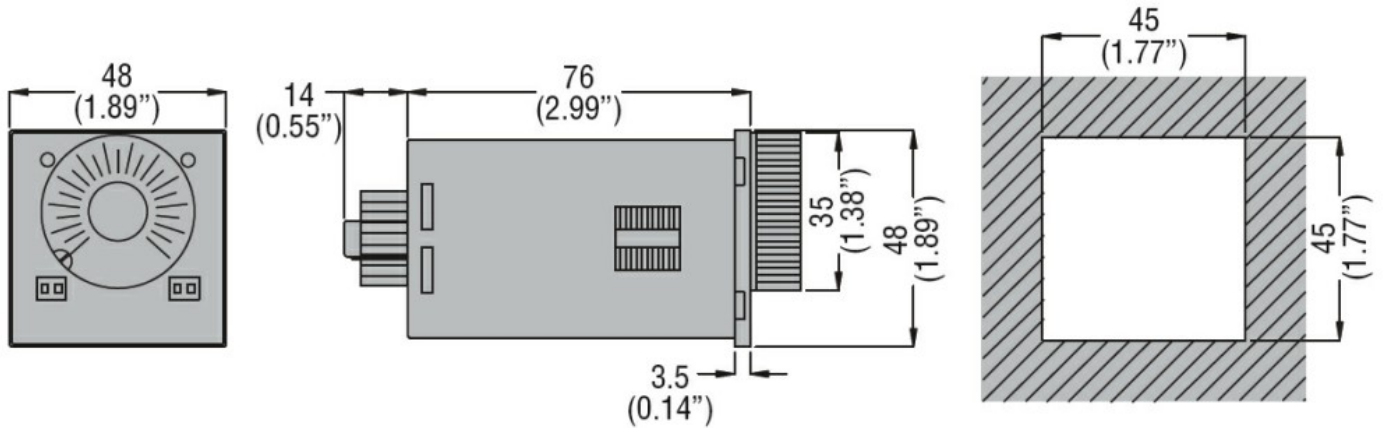


General characteristics

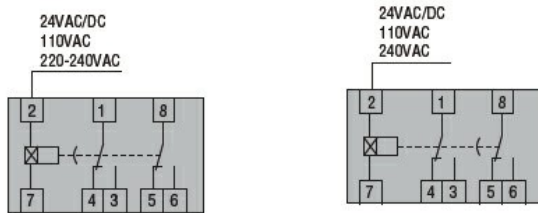
Description	On delay time relay, multiscale and multivoltage, plug-in version		
Function	On delay		
Supply circuit			
Rated auxiliary supply voltage U_s	24VAC/DC		
Rated frequency	Hz	50/60	
Operating voltage range	0.85...1.1 U_s		
Maximum power consumption / dissipation	W	6VA	
Immunity time for microbreakings	ms	≤40	
Timing circuit			
Time setting range	0.05s...10min		
Setting accuracy	%	±5	
Repeat accuracy	%	±0.5	
Influence of voltage variation	%	±0.5	
Resetting time			
	During timing	ms	≥100
	Elapsed time	ms	≥65
Relay outputs			
Number of relays	Nr.	2	
Contact arrangement	2 delayed C/O or 1 instantaneous C/O + 1 delayed C/O		
Maximum switching voltage	VAC	250	
IEC Conventional free air thermal current $I_{th} \leq 40^\circ\text{C}$	A	5	
UL/CSA and IEC/EN 60947-5-1 designation	B300		
Insulation (input-output)			
Rated insulation voltage U_i	V	250	
Power frequency withstand voltage	kV	2	
Operations			
Mechanical life	cycles	30000000	
Electrical life (with rated load)	cycles	100000	
Ambient conditions			
Temperature	Operating temperature		
	min	°C	-10
	max	°C	+60
	Storage temperature		
	min	°C	-30
	max	°C	+80
Housing			
Material	Self-extinguishing polyamide		

Mounting	Plug-in housing with 8-pin socket	
Degree of protection	IP40 on front, IP20 terminals	
Dimensions (W x H x D)	mm	48 x 48 x 90
Weight	g	124

Dimensions



Wiring diagrams



Certifications and compliance

Compliance

CSA C22.2 n°14
IEC/EN 61812-1
UL508

Certificates

cURus
EAC

ETIM classification

ETIM 8.0

EC001439 -
Timer relay