



General characteristics

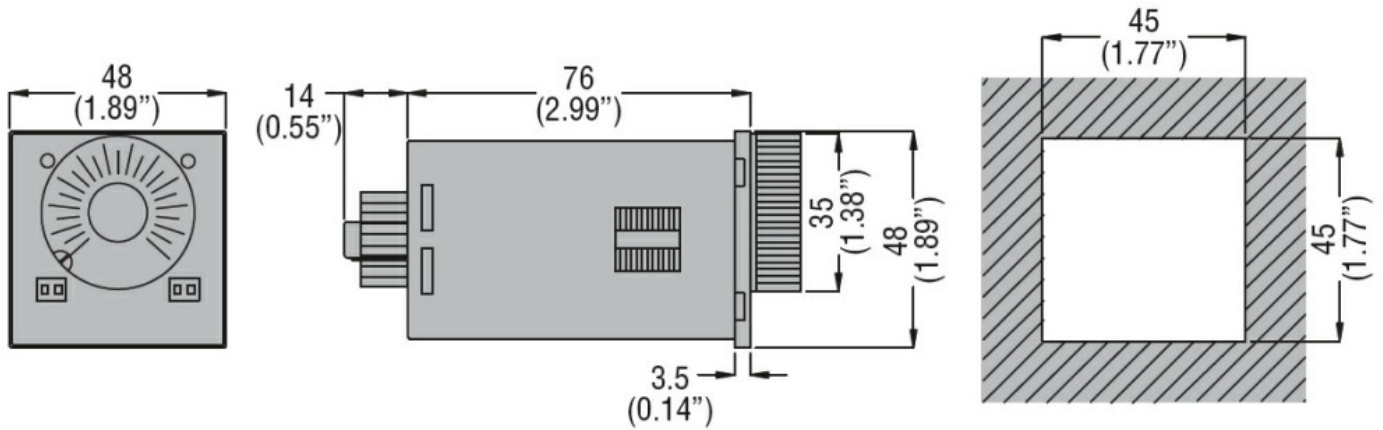
Description	On delay time relay, multiscale and multivoltage, plug-in version		
Function	On delay		
Supply circuit			
Rated auxiliary supply voltage U_s	220...240VAC		
Rated auxiliary supply voltage U_s AC	min	VAC	220
	Max	VAC	240
Rated frequency		Hz	50/60
Operating voltage range	0.85...1.1 U_s		
Maximum power consumption / dissipation		W	6VA
Immunity time for microbreakings		ms	≤40
Timing circuit			
Time setting range	0.05s...10min		
Setting accuracy		%	±5
Repeat accuracy		%	±0.5
Influence of voltage variation		%	±0.5
Resetting time	During timing	ms	≥100
	Elapsed time	ms	≥65
Relay outputs			
Number of relays	Nr.	2	
Contact arrangement	2 delayed C/O or 1 instantaneous C/O + 1 delayed C/O		
Maximum switching voltage	VAC	250	
IEC Conventional free air thermal current $I_{th} \leq 40^\circ\text{C}$	A	5	
UL/CSA and IEC/EN 60947-5-1 designation	B300		
Insulation (input-output)			
Rated insulation voltage U_i	V	250	
Power frequency withstand voltage	kV	2	
Operations			
Mechanical life	cycles	30000000	
Electrical life (with rated load)	cycles	100000	
Ambient conditions			
Temperature	Operating temperature		
	min	°C	-10
	max	°C	+60
	Storage temperature		
	min	°C	-30

max °C +80

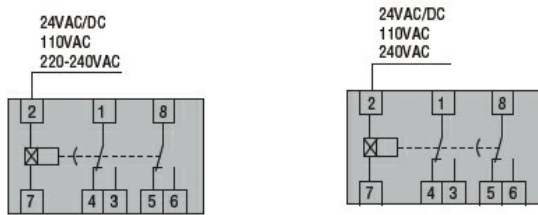
Housing

Material	Self-extinguishing polyamide
Mounting	Plug-in housing with 8-pin socket
Degree of protection	IP40 on front, IP20 terminals
Dimensions (W x H x D)	mm 48 x 48 x 90
Weight	g 124

Dimensions



Wiring diagrams



Certifications and compliance

Compliance

CSA C22.2 n°14
IEC/EN 61812-1
UL508

Certificates

cURus
EAC

ETIM classification

ETIM 8.0

EC001439 -
Timer relay