



General characteristics

Description	On delay time relay, multiscale and multivoltage, plug-in version
Function	On delay

Supply circuit

Rated auxiliary supply voltage U_s	24VAC/DC; 110VAC; 220... 240VAC
Rated frequency	Hz 50/60
Operating voltage range	0.85...1.1 U_s
Maximum power consumption / dissipation	W 6VA
Immunity time for microbreakings	ms ≤ 40

Timing circuit

Time setting range	18s...780min	
Setting accuracy	% ± 5	
Repeat accuracy	% ± 0.5	
Influence of voltage variation	% ± 0.5	
Resetting time	During timing	ms ≥ 100
	Elapsed time	ms ≥ 65

Relay outputs

Number of relays	Nr. 1
Contact arrangement	1 delayed C/O
Maximum switching voltage	VAC 250
IEC Conventional free air thermal current $I_{th} \leq 40^\circ\text{C}$	A 5
UL/CSA and IEC/EN 60947-5-1 designation	B300

Insulation (input-output)

Rated insulation voltage U_i	V 250
Power frequency withstand voltage	kV 2

Operations

Mechanical life	cycles 30000000
Electrical life (with rated load)	cycles 100000

Ambient conditions

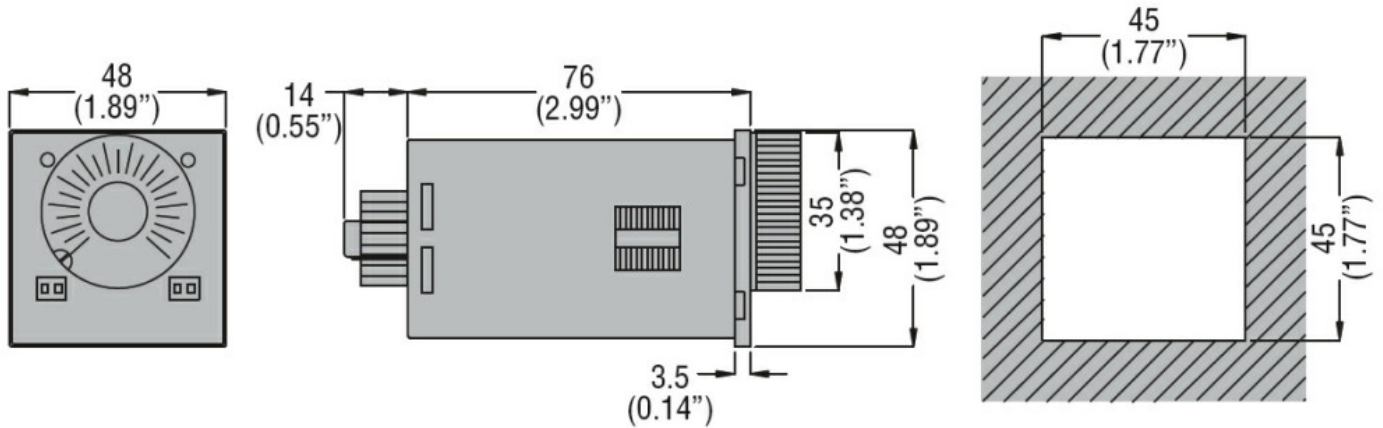
Temperature	Operating temperature	min	$^\circ\text{C}$	-10
		max	$^\circ\text{C}$	+60
	Storage temperature	min	$^\circ\text{C}$	-30
		max	$^\circ\text{C}$	+80

Housing

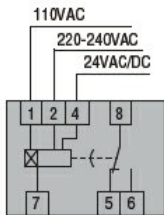
Material	Self-extinguishing polyamide
----------	------------------------------

Mounting	Plug-in housing with 8-pin socket	
Degree of protection	IP40 on front, IP20 terminals	
Dimensions (W x H x D)	mm	48 x 48 x 90
Weight	g	124

Dimensions



Wiring diagrams



Certifications and compliance

Compliance

CSA C22.2 n°14
IEC/EN 61812-1
UL508

Certificates

cURus
EAC

ETIM classification

ETIM 8.0

EC001439 -
Timer relay